



Contender

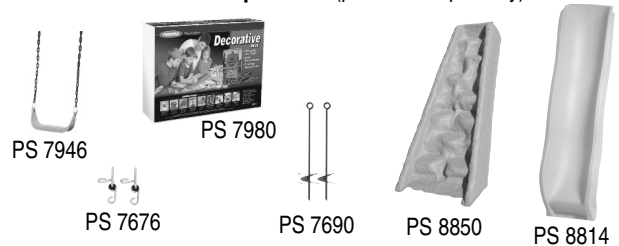
Safety Guide & Building Instructions



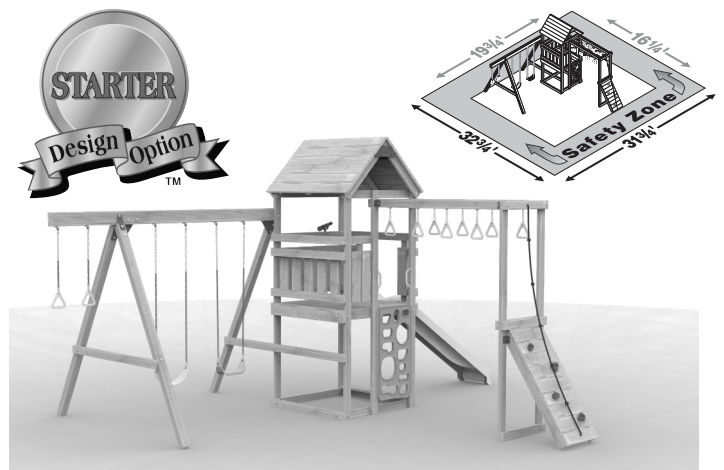
Featured Components (purchase separately):



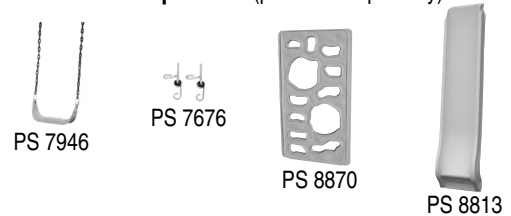
Featured Components (purchase separately):



Featured Components (purchase separately):



Featured Components (purchase separately):



We're Here To Help!

Call Toll Free **1-888-752-9782**
Customer Service: Monday - Friday, 8:00 A.M. to 5:00 P.M. C.S.T.

PS 7720

SAFETY

- This product is intended for single-family residential use only, by children ages two to ten and a maximum weight of 105 pounds. Any recommendation over 10 years of age or 105 pounds exceeds the upper limits specified in the American Society for Testing and Materials (ASTM) Home Playground Safety Standard. In order for PlayStar to comply with the ASTM Standard, we cannot recommend anyone above these limits.
- It is a misuse of this product when installed or used in places of public assembly such as schools or parks.
- Follow the instructions provided, do not alter its design in any way.
- Construction requires at least two adults capable of heavy lifting.
- Thoroughly read all safety instructions before beginning.
- Children must remain clear of construction site until this product is properly installed and ready for use.
- Save these instructions in the event the manufacturer has to be contacted.

The Consumer Product Safety Commission provides the following consumer information for your Home Playground Equipment

Select Protective Surfacing

One of the most important things you can do to reduce the likelihood of serious head injuries is to install shock-absorbing protective surfacing under and around your play equipment. The protective surfacing should be applied to a depth that is suitable for the equipment height in accordance with ASTM F1292. There are different types of surfacing to choose from; whichever product you select, follow these guidelines:

NOTE: Do not install home playground equipment over concrete, asphalt, or any other hard surface. A fall onto a hard surface can result in serious injury to the equipment user. Grass and dirt are not considered protective surfacing because wear and environmental factors can reduce their shock absorbing effectiveness. Carpeting and thin mats are generally not adequate protective surfacing. Ground level equipment -- such as a sandbox, activity wall, playhouse or other equipment that has no elevated play surface -- does not need any protective surfacing.

Loose-Fill Materials

PlayStar Playsets require fall-height protection from eight feet.

- Maintain a minimum depth of 9 inches of loose-fill materials such as wood mulch / chips, engineered wood fiber (EWF), or shredded/recycled rubber mulch for

equipment up to 8 feet high. NOTE: An initial fill level of 12 inches will compress to about a 9-inch depth of surfacing over time. The surfacing will also compact, displace, and settle, and should be periodically refilled to maintain at least a 9-inch depth.

- Use containment, such as digging out around the perimeter and/or lining the perimeter with landscape edging. Don't forget to account for water drainage.
- Check and maintain the depth of the loose-fill surfacing material. To maintain the right amount of loose-fill materials, mark the correct level on play equipment support posts. That way you can easily see when to replenish and/or redistribute the surfacing.
- **Do not** install loose fill surfacing over hard surfaces such as concrete or asphalt.

Poured-In-Place Surfaces or Pre-Manufactured Rubber Tiles

You may be interested in using surfacing other than loose-fill materials -- like rubber tiles or poured-in-place surfaces.

- Installations of these surfaces generally require a professional and are not "do-it-yourself" projects.
- Review surface specifications before purchasing this type of surfacing. Ask the installer/manufacturer for a report showing that the product has been tested to the following safety standard: ASTM F1292 *Standard Specification for Impact Attenuation of Surfacing Materials within the Use Zone of Playground Equipment*. This report should show the specific height for which the surface is intended to protect against serious head injury.

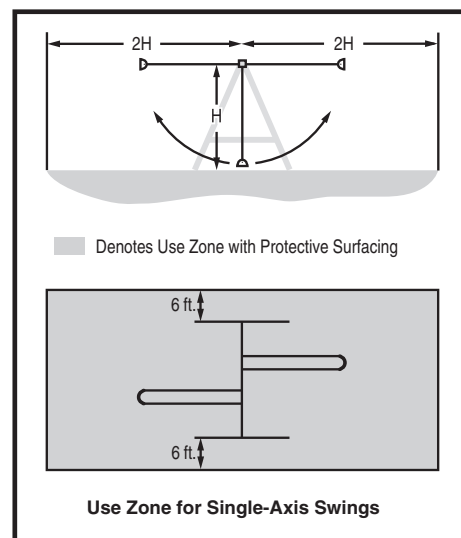
This height should be equal to or greater than the *fall height* - vertical distance between a designated play surface (*elevated surface for standing, sitting, or climbing*) and the protective surfacing below - of your play equipment.

- Check the protective surfacing frequently for wear.

Placement

Proper placement and maintenance of protective surfacing is essential. Be sure to;

- Extend surfacing at least 6 feet from the equipment in all directions.
- For to-fro swings, extend protective surfacing in front of and behind the swing to a distance equal to twice the height of the top bar from which the swing is suspended.



SAFETY

INSTALLATION:

1. Follow the instructions provided, do not alter its design in any way.
2. Place the playset on level ground, not less than 6' (1.8m) from any structure or obstruction such as a fence, garage, house, overhanging branches, laundry lines or electrical wires. If the area where you will be installing your playset is not level, you must make it level.
3. Playsets must be anchored to the ground. Follow the anchoring instructions provided with your building kit. If soil conditions permit anchors to be pulled out easily, such as in sandy soil conditions, cementing is required.
4. Tighten all bolts securely to the intended member then cut off all protruding threaded ends of bolts with a hack saw **flush to the end of the nut** and remove sharp edges with a metal file.

WARNING: Children must not use the playset until properly installed and proper shock-absorbing surfacing material is in place.

OPERATION: *Observing and following statements and warnings reduces the likelihood of serious or fatal injury.*

1. On-site adult supervision is recommended for children of all ages.

2. Only one child, for each single planned seat or single planned activity should be allowed on this set at one time, with a maximum weight of **105 pounds** for each child.

WARNING: You must teach children the following:

- A. **Not** to walk close to, in front of, behind, or between moving items.
- B. **Not** to twist swing chains or ropes or loop them over the top support bar since this may reduce the strength of the chain or rope.
- C. **Avoid** swinging empty seats.
- D. **To Sit** in the center of the swings with their full weight on the seats.
- E. **Not** to use the equipment in a manner other than intended.
- F. **Not** to get off equipment while it is in motion.
- G. **Not** to climb when equipment is wet.
- H. **Not** to attach items to the playground equipment that are not specifically designed for use with the equipment such as, but not limited to, jump ropes, clothesline, pet leashes, cables and chain as they may cause a strangulation hazard.
- I. **Remove** bike or other sports helmet before playing on the play equipment as the helmet may become entrapped in an enclosed opening and cause a strangulation hazard.

3. Verify that suspended climbing ropes are secured at both ends and that they cannot be looped back on themselves. (A rope that is not taut enough may cause a strangulation hazard.)
4. Dress children appropriately. Provide well fitting shoes. Avoid ponchos, scarves, and other loose-fitting clothing which is potentially hazardous while using equipment.
5. Verify that all suspended swinging components have at least 8" clearance between the lowest point of component and top of shock-absorbing surfacing material.

WARNING: Lawn swings are designed for use by children two years of age and older. Use by children under the age of two can result in entrapment between the seat and backrest. **NEVER** place children in a rearward facing position or with legs between the seat and backrest because the child's body may pass through the opening causing entrapment of the child's head.

DISPOSAL:

When the playset is to be retired from service, disassemble and dispose of in such a way that no unreasonable hazards will exist. Follow your local disposal requirements.



ANNUAL MAINTENANCE CHECKLIST

(Copy this section as needed and maintain for your records or visit www.playstarinc.com/maintenance)

At the beginning of play season: Date: _____

- Tighten all hardware.
- Lubricate all metallic moving parts per manufacturer's instructions.
- Check all protective coverings on bolts, pipes, edges, and corners. Replace if they are loose, cracked, or missing.
- Check all moving parts including swing seats, ropes, cables, and chains for wear, rust, or other deterioration. Replace as needed.
- Check metal parts for rust. If found, sand and repaint using a nonlead-based paint meeting the requirements of 16 CRF 1303.
- Check all wood members for deterioration and splinters. Sand down splinters and replace deteriorating wood members.
- Reinstall any plastic parts, such as swing seats or any other items that were removed for the cold season.
- Rake and check depth of loose fill protective surfacing materials to prevent compaction and to maintain appropriate depth. Replace as necessary.

Twice a month during play season: Date: _____

- Tighten all hardware.
- Check all protective coverings on bolts, pipes, edges, and corners. Replace if they are loose, cracked, or missing.
- Rake and check depth of loose fill protective surfacing materials to prevent compaction and to maintain appropriate depth. Replace as necessary.

Once a month during play season: Date: _____

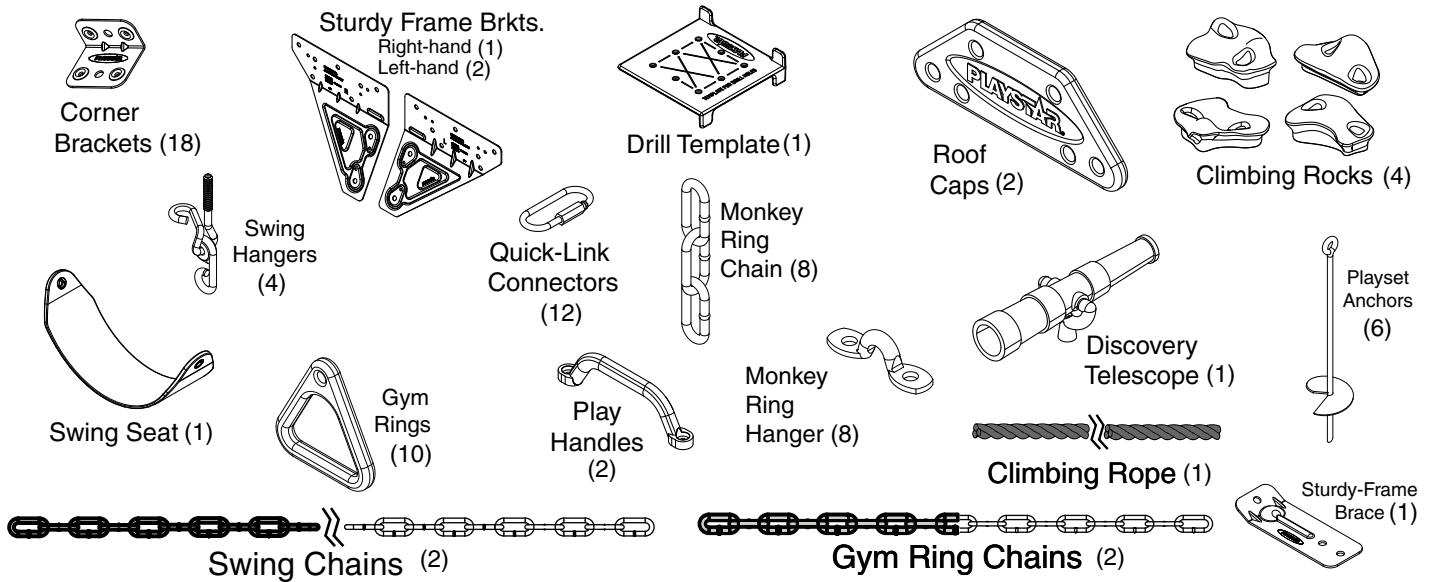
- Lubricate all metallic moving parts per manufacturer's instructions.
- Check all moving parts including swing seats, ropes, cables, and chains for wear, rust, or other deterioration. Replace as needed.

At the end of each play season or when the temperature drops below 0° F: Date: _____

- Remove plastic swing seats and other items as specified by the manufacturer and take indoors or do not use.
- Rake and check depth of loose fill protective surfacing materials to prevent compaction and to maintain appropriate depth. Replace as necessary.

If any of these conditions exist, call 1-888-752-9782 for ordering information.
Clean plastic components with warm water and a mild detergent such as dish soap.

COMPONENTS INCLUDED

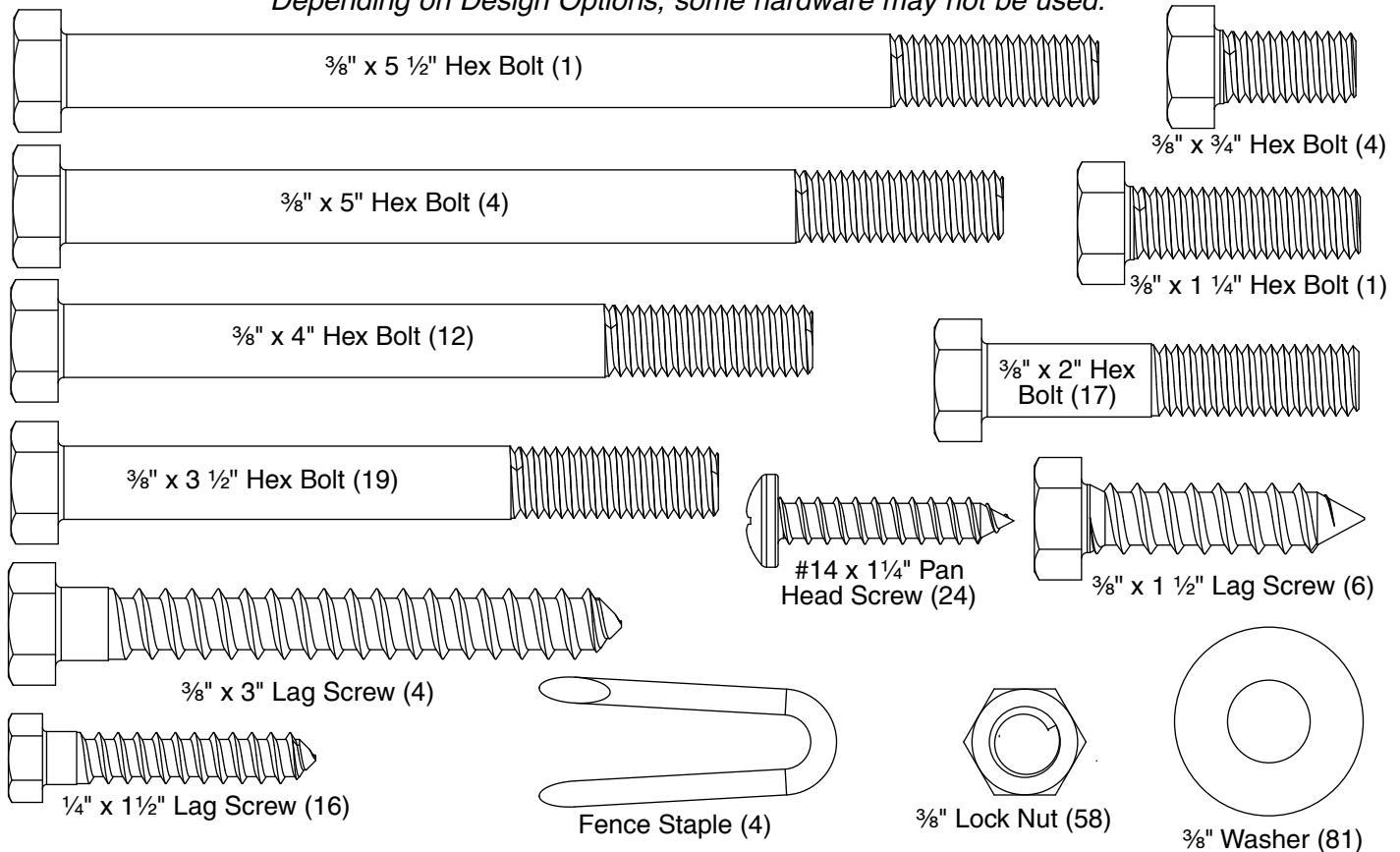


TOOLS REQUIRED

Socket Wrench	Drill	Hack Saw	Pencil	Square
7/16", 1/2" & 9/16" Socket	Phillips Screwdriver	Saw	Tape	Punch
9/16" or Adjust. Wrench	1/8", 1/4" & 3/8" Drill Bit	Saw Horses (Optional)	Chalk	Metal File
Ladder	3/4" & 1 1/8" Spade Bit	Hammer	Safety Glasses	Shovel
Tape Measure				

HARDWARE INCLUDED (shown actual size)

Depending on Design Options, some hardware may not be used.





Lumber and Screw Requirements

- (2) 2" x 6" x 10'
- (2) 2" x 6" x 8'
- (6) 2" x 4" x 10'
- (32) 2" x 4" x 8'
- (25) 5/4" x 6" x 8'
- (690) #8 x 2 1/2" Deck Screws
- (82) #8 x 1 1/4" Deck Screws

GOLD CUTTING GUIDE AND BUILDING INSTRUCTIONS BEGIN ON PAGE 8



Lumber and Screw Requirements

- (2) 2" x 6" x 10'
- (1) 2" x 6" x 8'
- (6) 2" x 4" x 10'
- (31) 2" x 4" x 8'
- (24) 5/4" x 6" x 8'
- (660) #8 x 2 1/2" Deck Screws
- (82) #8 x 1 1/4" Deck Screws

SILVER CUTTING GUIDE AND BUILDING INSTRUCTIONS BEGIN ON PAGE 20



Lumber and Screw Requirements

- (2) 2" x 6" x 10'
- (1) 2" x 6" x 8'
- (5) 2" x 4" x 10'
- (29) 2" x 4" x 8'
- (20) 5/4" x 6" x 8'
- (605) #8 x 2 1/2" Deck Screws
- (82) #8 x 1 1/4" Deck Screws

BRONZE CUTTING GUIDE AND BUILDING INSTRUCTIONS BEGIN ON PAGE 32



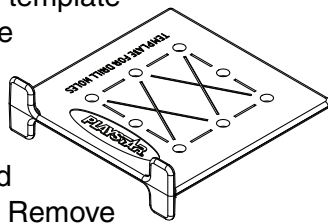
Lumber and Screw Requirements

- (2) 2" x 6" x 10'
- (1) 2" x 6" x 8'
- (5) 2" x 4" x 10'
- (28) 2" x 4" x 8'
- (16) 5/4" x 6" x 8'
- (537) #8 x 2 1/2" Deck Screws
- (82) #8 x 1 1/4" Deck Screws

STARTER CUTTING GUIDE AND BUILDING INSTRUCTIONS BEGIN ON PAGE 43

How To Use Your Marking Template for Drill Holes:

Your building kit includes this template to help you create most of the hole patterns needed to build your playset. Once the template is in position, mark only the holes that need to be drilled for each pattern. Remove the template before drilling.

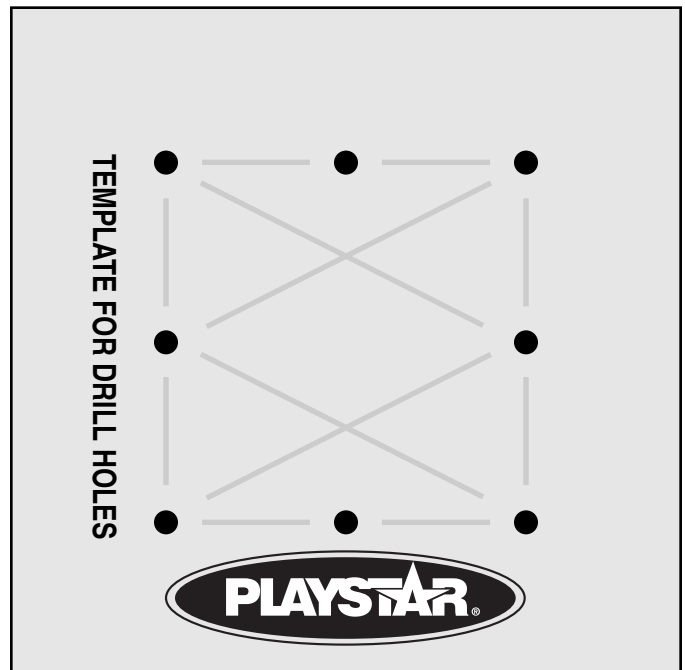


Warning: Do not drill holes through the template as you may damage the template.

Use an 1/8" drill bit for all holes unless noted (see patterns G & J)

Note: When the PlayStar logo is showing, the three tabs on the bottom will position the template square with any two edges. When the arrow is showing, the two tabs on the bottom will position the template square with one edge only, which will allow you to slide the template anywhere along the board.

The rigid version of the template like the one shown here can be found inside one of the hardware boxes.

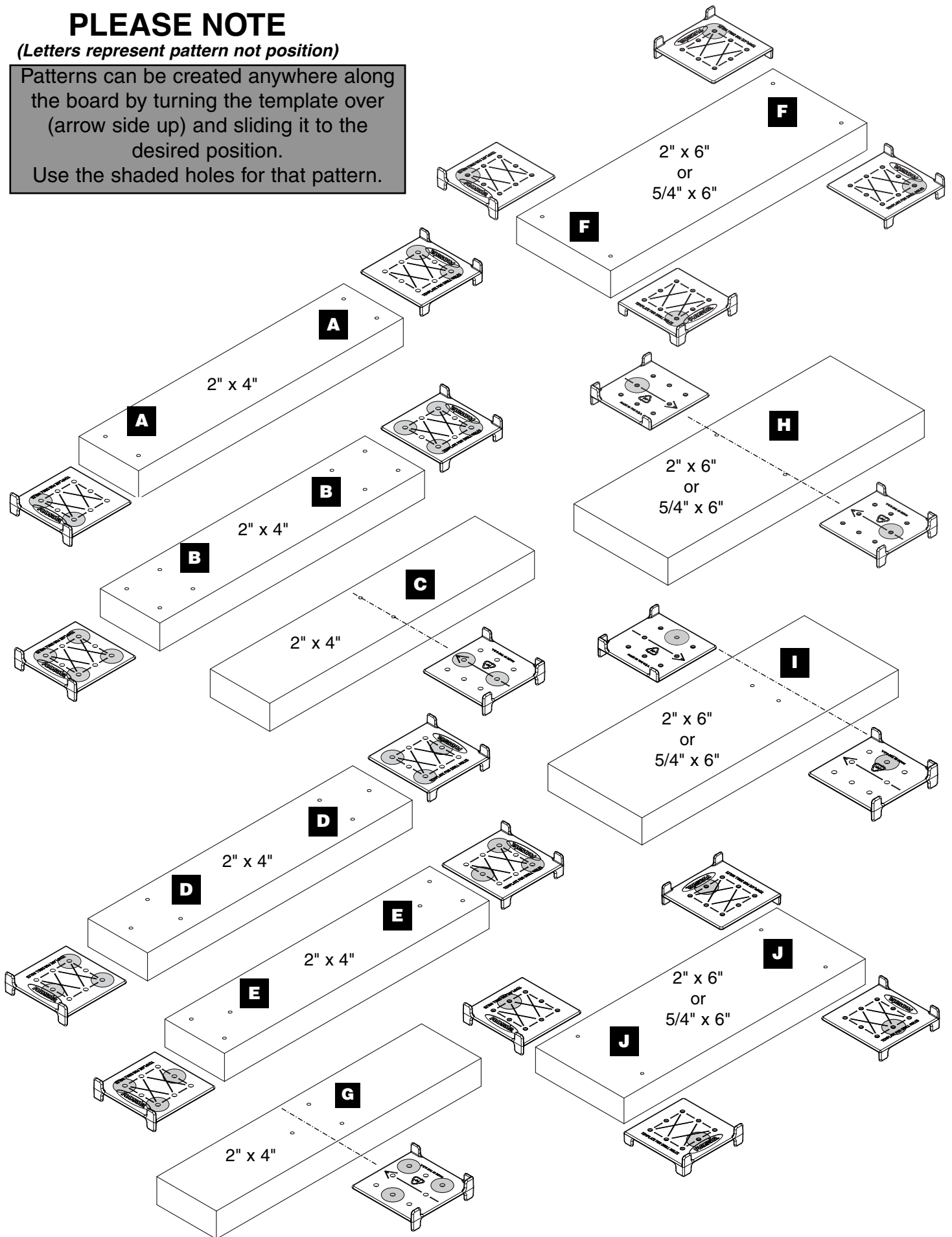


Actual Size Template

PLEASE NOTE

(Letters represent pattern not position)

Patterns can be created anywhere along the board by turning the template over (arrow side up) and sliding it to the desired position. Use the shaded holes for that pattern.

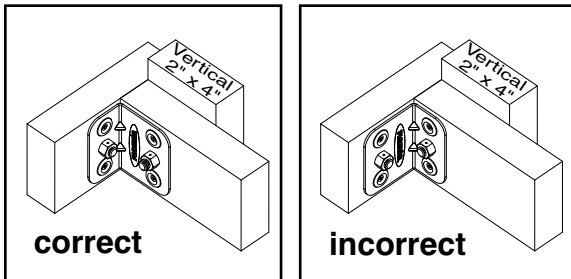


ATTACHING CORNER BRACKETS

There are several steps in the assembly of your playset when you will be asked to attach “corner brackets”. Please review these diagrams to understand where to place the brackets, how to attach them, and what hardware to use.

POSITIONING THE BRACKETS:

The “corner bracket” has one long side and one short side. The holes on the long side of the bracket are placed so that when you position the bracket correctly, as directed throughout these instructions, the bolt will be almost centered in the middle of the vertical 2" x 4" when installed. (See diagram)



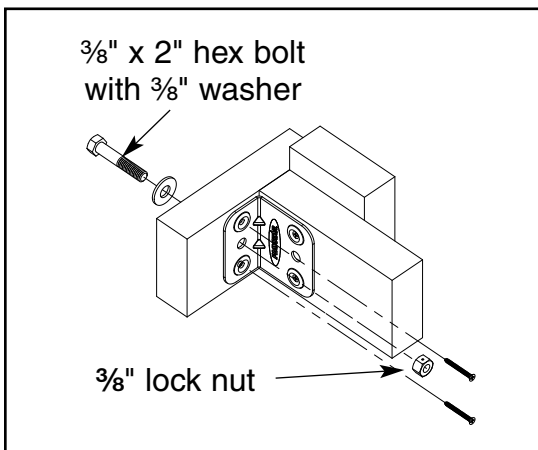
Caution: *If the bracket was flipped and the short side was against the double board when you drilled, the holes will be too close to the edge of the vertical 2" x 4".*

ATTACHING AND SECURING THE BRACKETS:

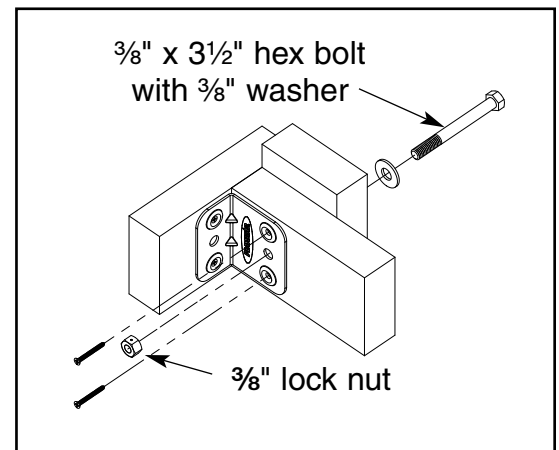
1. Hold bracket in position and use the bracket as a drill guide. Use a $\frac{1}{8}$ " drill bit and drill through the small holes 1" deep into the boards.
2. Attach the bracket with #8 x $1\frac{1}{4}$ " deck screws.
3. Again use the bracket as a drill guide. Use a $\frac{3}{8}$ " drill bit and drill through the large holes completely through the boards.
4. Secure the bracket with $\frac{3}{8}$ " hex bolts, $\frac{3}{8}$ " washers, and $\frac{3}{8}$ " lock nuts as shown.

Note: *You will use different length bolts to secure the corner brackets.*

- *If you drilled through one board you will need to use a $\frac{3}{8}$ " x 2" hex bolt.*
- *If you drilled through two boards you will need to use a $\frac{3}{8}$ " x $3\frac{1}{2}$ " hex bolt*



Securing through one board
use $\frac{3}{8}$ " x 2" hex bolt.



Securing through two boards
use $\frac{3}{8}$ " x $3\frac{1}{2}$ " hex bolt.

CUTTING GUIDE - GOLD

Before starting to build your Playset, make sure all boards are cut and identified by size. Stack identical size boards in neat piles.

(If you do not want to mark on lumber, use masking tape or chalk.)

This will improve your building time greatly because you will already know the size of each board as the instructions call for them.

5/4" x 6" x 8' - twenty-five (25) boards required

(14) boards	52"	44"
-------------	-----	-----

(5) boards	52"	22"	22"
------------	-----	-----	-----

(3) boards	52"	21½"	21½"
------------	-----	------	------

(1) board	32"	32"	32"
-----------	-----	-----	-----

(1) board	32"	32"	10"	10"	10"
-----------	-----	-----	-----	-----	-----

(1) board	21½"	21½"	21½"	10"	8"
-----------	------	------	------	-----	----

2" x 6" x 10' - two (2) boards required

(2) boards	120"
------------	------

2" x 6" x 8' - two (2) boards required

(1) board	47"	47"
-----------	-----	-----

Climbing Steps

(1) board	23½"	23½"	23½"	21"
-----------	------	------	------	-----

2" x 4" x 10' - six (6) boards required

(6) boards

112"	
------	--

2" x 4" x 8' - thirty-two (32) boards required

(8) boards

96"	
-----	--

(1) board

81"	
-----	--

(2) boards

72"	19 $\frac{3}{4}$ "	
-----	--------------------	--

(1) board

69"	18"	
-----	-----	--

(1) board

69"	10 $\frac{1}{2}$ "	10 $\frac{1}{2}$ "	
-----	--------------------	--------------------	--

(1) board

60"	28 $\frac{1}{2}$ "	
-----	--------------------	--

(2) boards

56 $\frac{1}{2}$ "	37 $\frac{1}{2}$ "	
--------------------	--------------------	--

(4) boards

56 $\frac{1}{2}$ "	31 $\frac{1}{2}$ "	
--------------------	--------------------	--

(3) boards

56 $\frac{1}{2}$ "	28 $\frac{1}{2}$ "	
--------------------	--------------------	--

(1) board

52"	44"
-----	-----

(1) board

52"	42 $\frac{1}{2}$ "
-----	--------------------

(3) boards

47"	47"	
-----	-----	--

(1) board

47"	41"	
-----	-----	--

(1) board

45"	45"	
-----	-----	--

(1) board

41 $\frac{1}{2}$ "	41 $\frac{1}{2}$ "	
--------------------	--------------------	--

(1) board

28 $\frac{1}{2}$ "	28 $\frac{1}{2}$ "	10 $\frac{1}{2}$ "	10 $\frac{1}{2}$ "	
--------------------	--------------------	--------------------	--------------------	--

ROOF ASSEMBLY - GOLD

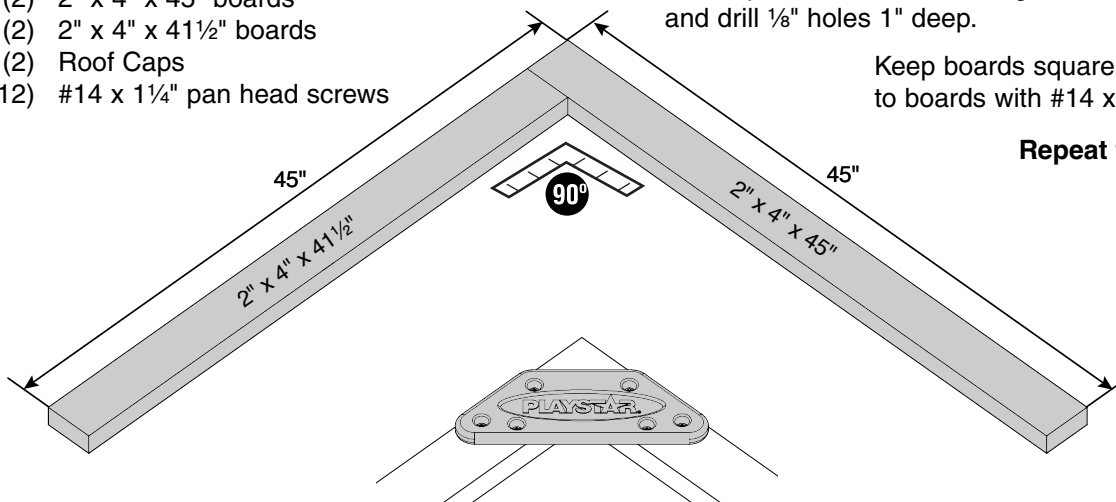
Items for STEP 1:

- (2) 2" x 4" x 45" boards
- (2) 2" x 4" x 41½" boards
- (2) Roof Caps
- (12) #14 x 1¼" pan head screws

On a flat surface position boards together as shown. Position roof cap flush with outside edges. Use roof cap as a drill guide and drill ⅛" holes 1" deep.

Keep boards square while attaching roof cap to boards with #14 x 1¼" pan head screws.

Repeat for second assembly.



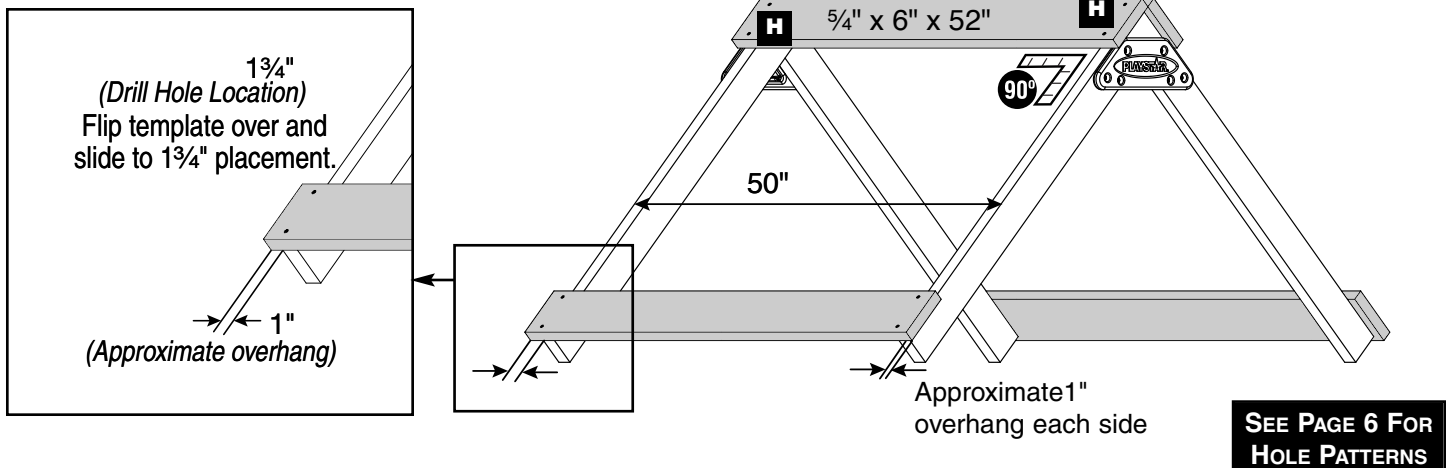
Items for STEP 2:

- (2) Step 1 Assemblies
- (4) 5/4" x 6" x 52" boards
- (16) #8 x 2½" deck screws

Hold assemblies 50" apart. Position boards flush at the top and bottom as shown.

Keep boards square and secure with #8 x 2½" deck screws.

Repeat for other side.



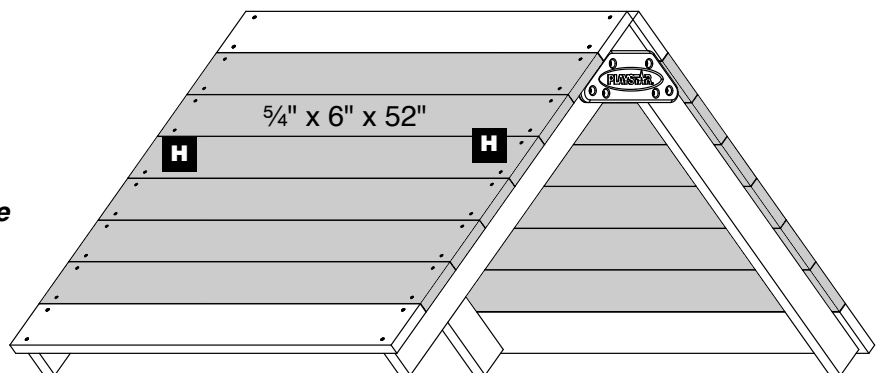
Items for STEP 3:

- (12) 5/4" x 6" x 52" boards
- (48) #8 x 2½" deck screws

Start at the top and attach boards between top and bottom boards as shown. Secure with #8 x 2½" deck screws.

Note: If the last board doesn't fit because the boards are oversized, remove the bottom board and reattach.

Repeat for other side.



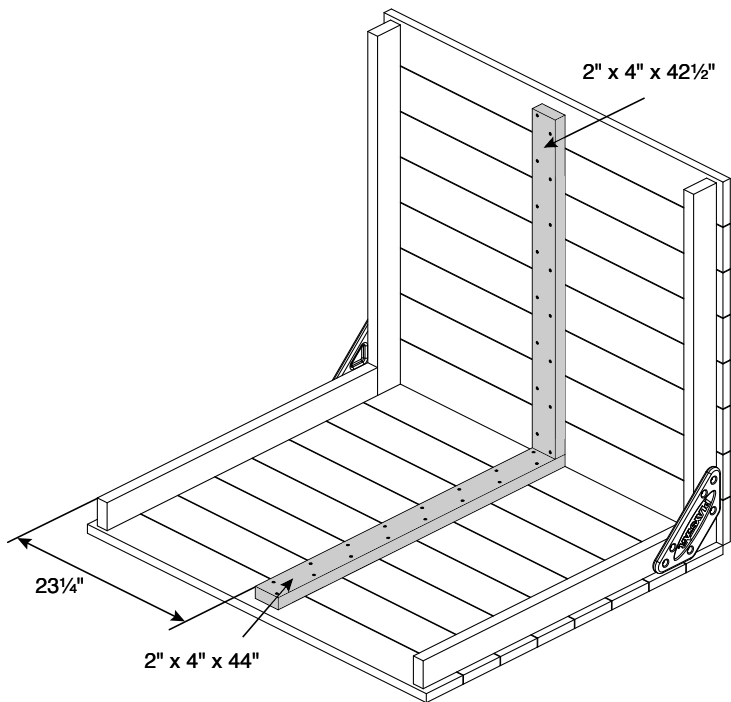
SEE PAGE 6 FOR HOLE PATTERNS

Items for STEP 4:

- (1) 2" x 4" x 44" board
- (1) 2" x 4" x 42½" board
- (32) #8 x 2½" deck screws

From the underside of roof assembly, place 2" x 4" x 44" board flat against roof assembly centered as shown. Secure with two #8 x 2½" deck screws per each roof board.

Place 2" x 4" x 42½" board flat against roof assembly and the 2" x 4" x 44" board. Secure with #8 x 2½" deck screws.



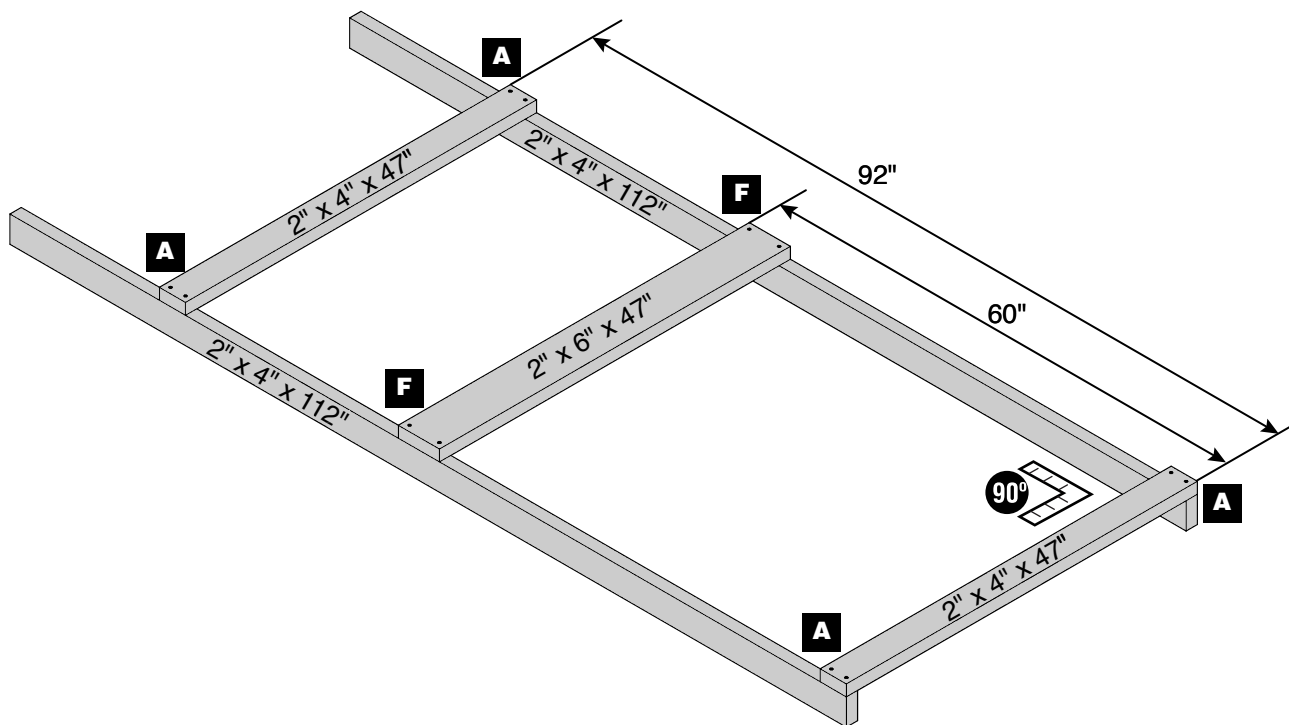
SEE PAGE 6 FOR
HOLE PATTERNS

TOWER ASSEMBLY - GOLD

Items for STEP 5:

- (2) 2" x 4" x 112" boards
- (1) 2" x 6" x 47" board
- (2) 2" x 4" x 47" boards
- (12) #8 x 2½" deck screws

On a flat surface position boards at dimensions shown. Keep assembly square while securing with #8 x 2½" deck screws.

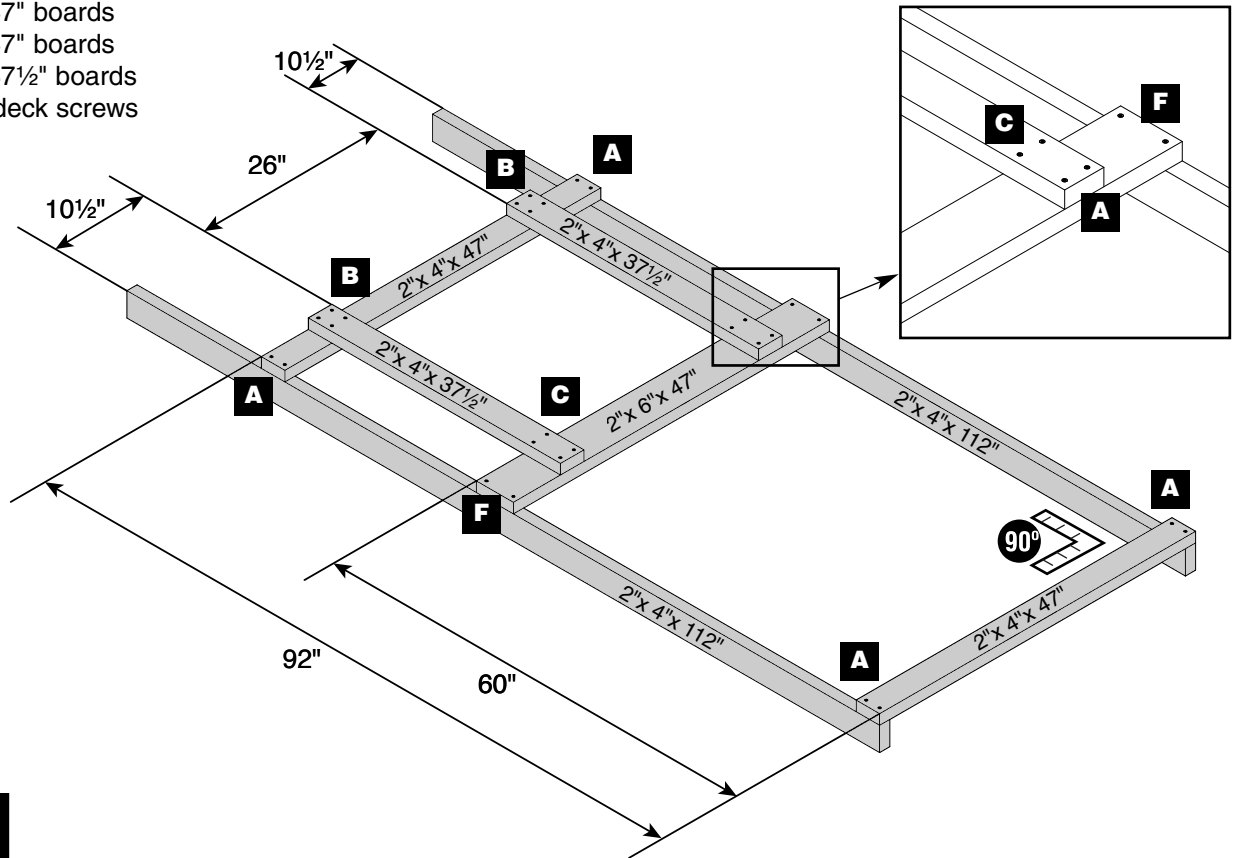


SEE PAGE 6 FOR
HOLE PATTERNS

Items for STEP 6:

- (2) 2" x 4" x 112" boards
- (1) 2" x 6" x 47" boards
- (2) 2" x 4" x 47" boards
- (2) 2" x 4" x 37½" boards
- (28) #8 x 2½" deck screws

On a flat surface position boards at dimensions shown. Keep assembly square while securing with #8 x 2½" deck screws.

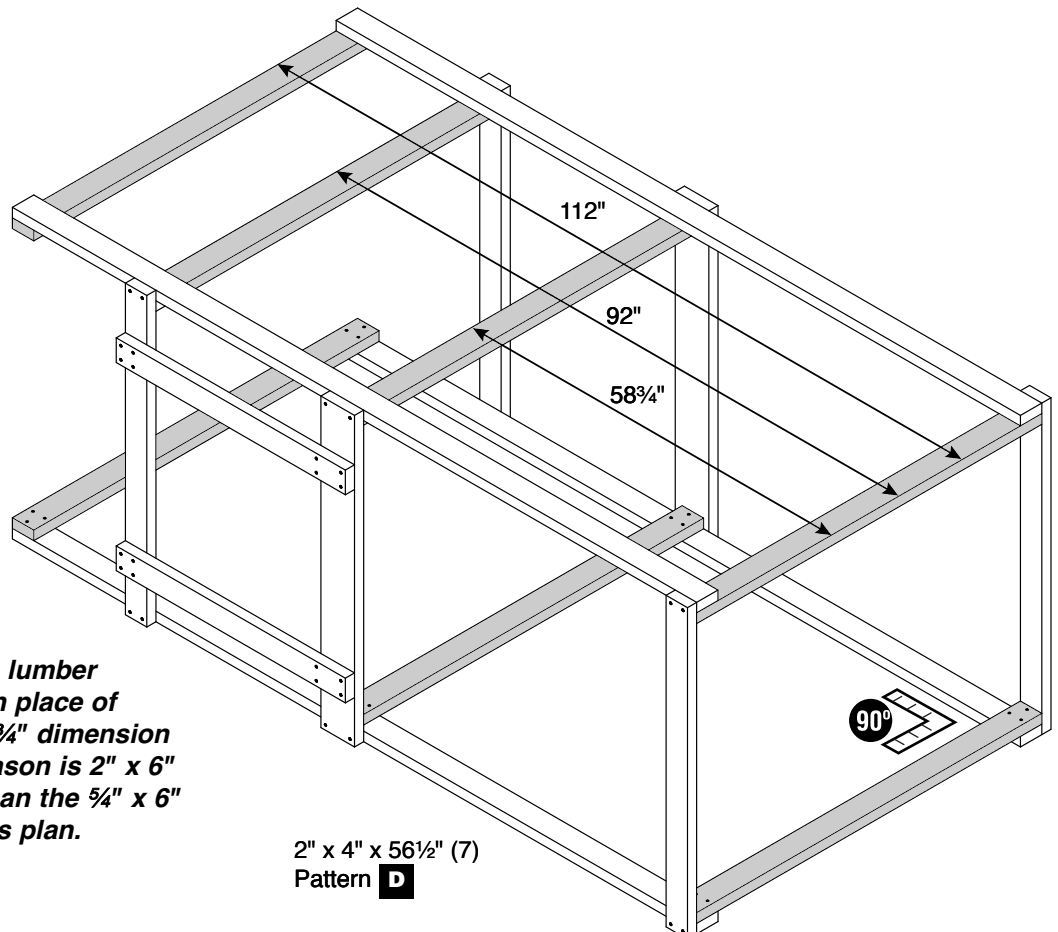


SEE PAGE 6 FOR HOLE PATTERNS

Items for STEP 7:

- (7) 2" x 4" x 56½" boards
- (42) #8 x 2½" deck screws

Position boards between assemblies as shown. Keep square while securing with #8 x 2½" deck screws.



Note: If you are using 2" x 6" lumber for your deck boards in place of 5/4" x 6" lumber, the 58¾" dimension must be 58½". The reason is 2" x 6" lumber is ¼" thicker than the 5/4" x 6" lumber called for in this plan.

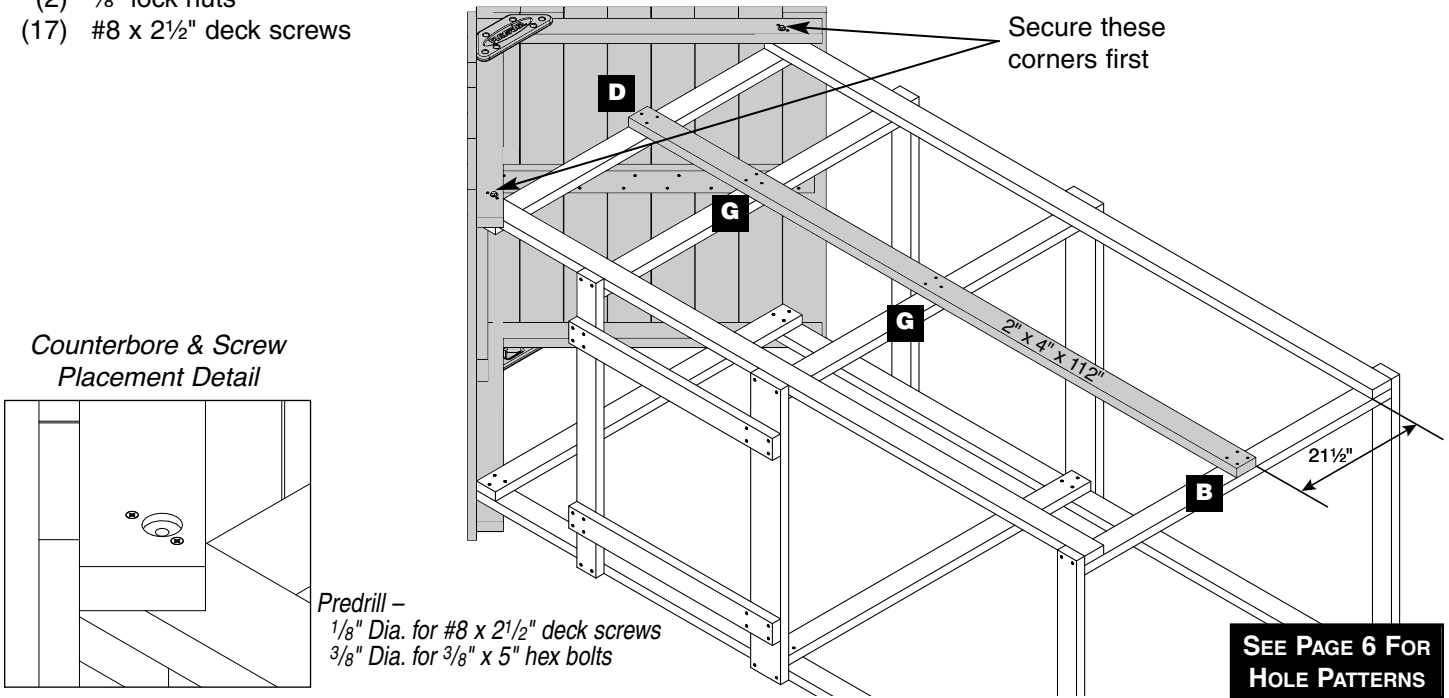
SEE PAGE 6 FOR HOLE PATTERNS

Items for STEP 8:

- (1) Roof Assembly
- (1) 2" x 4" x 112" board
- (2) 3/8" x 5" hex bolts
- (4) 3/8" washers
- (2) 3/8" lock nuts
- (17) #8 x 2 1/2" deck screws

Position roof assembly so both sides of roof overhang 2" x 4" boards equally. Secure top corners with two #8 x 2 1/2" deck screws, 3/8" x 5" hex bolt, 3/8" washers and 3/8" lock nuts. If lumber is oversized, counterboring may be required. Drill 1 1/8" counterbore 1/4" deep. (See Counterbore & Screw Placement Detail below)

Attach 2" x 4" x 112" at dimension shown. Secure with #8 x 2 1/2" deck screws.

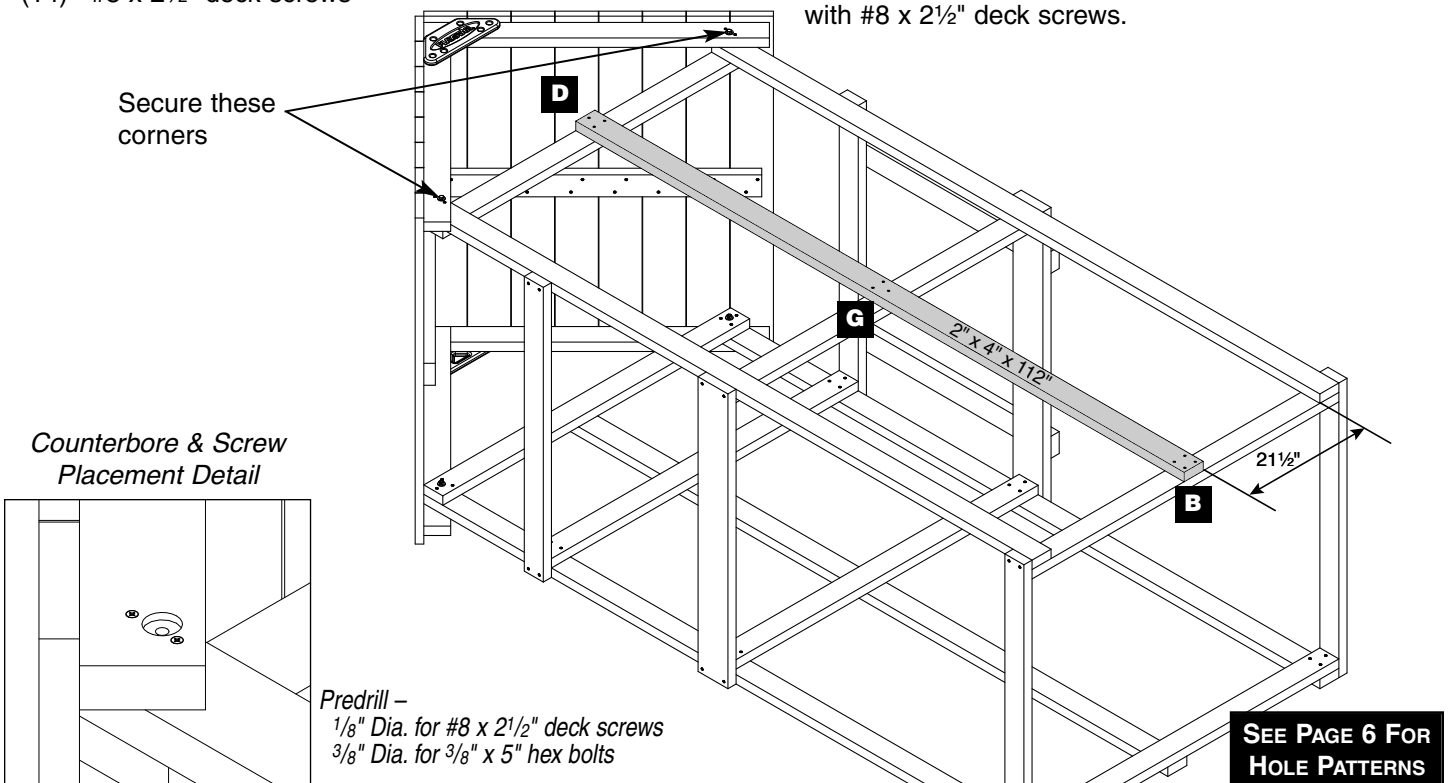


Items for STEP 9:

- (2) 3/8" x 5" hex bolts
- (1) 2" x 4" x 112" board
- (4) 3/8" washers
- (2) 3/8" lock nuts
- (14) #8 x 2 1/2" deck screws

Rotate tower 180° as shown. Verify the unattached side of the roof overhangs the 2" x 4" boards equally. Secure the other two corners with #8 x 2 1/2" deck screws, 3/8" x 5" hex bolt, 3/8" washers and 3/8" lock nuts. If lumber is oversized, counterboring may be required. Drill 1 1/8" counterbore 1/4" deep. (See Counterbore & Screw Placement Detail below)

Attach 2" x 4" x 112" at dimension shown. Secure with #8 x 2 1/2" deck screws.



Items for **STEP 10:**

- (8) Corner Brackets
- (8) $\frac{3}{8}$ " x $3\frac{1}{2}$ " hex bolts
- (8) $\frac{3}{8}$ " x 2" hex bolts
- (16) $\frac{3}{8}$ " washers
- (16) $\frac{3}{8}$ " lock nuts
- (32) #8 x $1\frac{1}{4}$ " deck screws

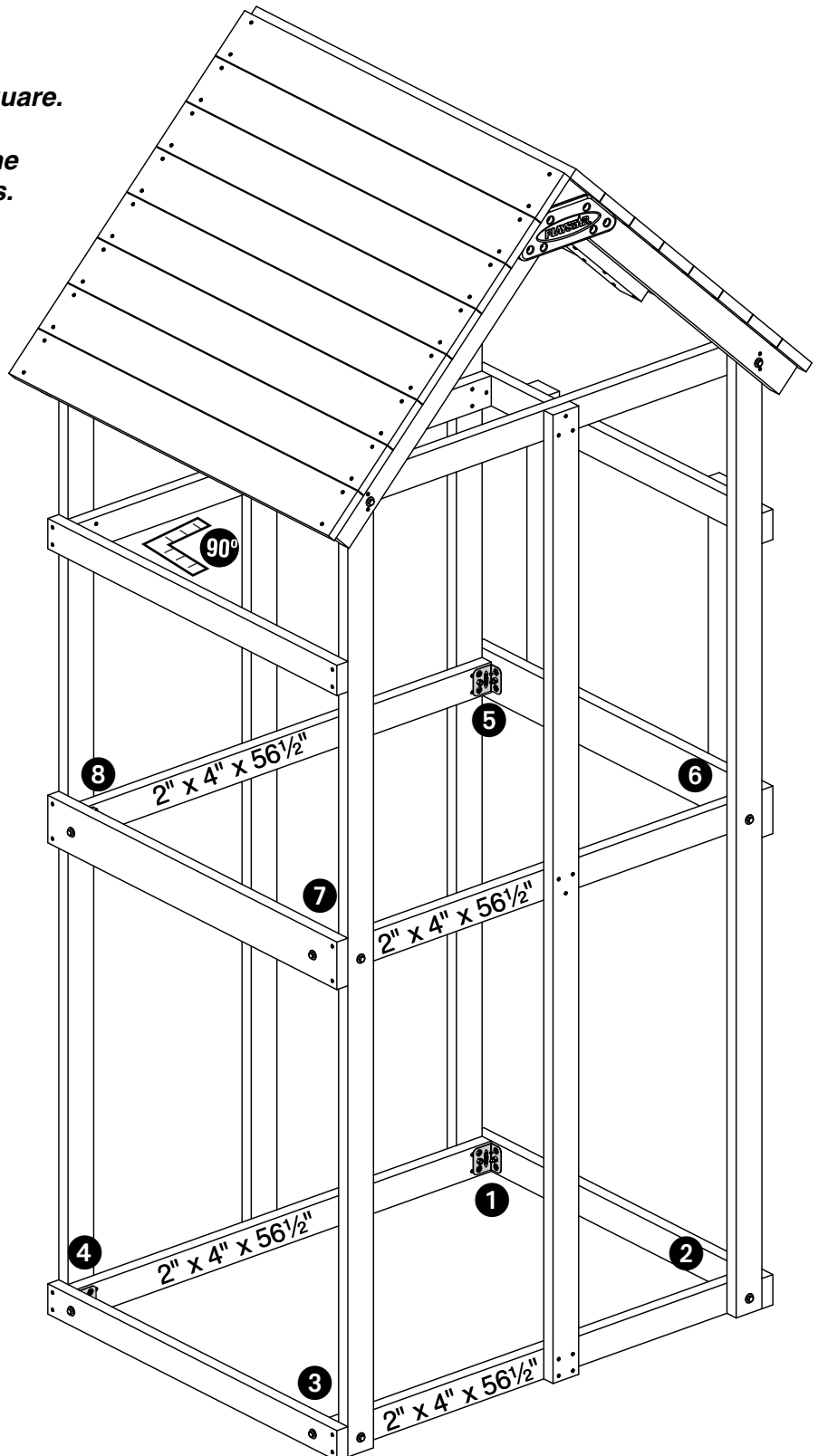
Lift tower assembly upright and position in desired location.

Caution: *Make sure tower remains square. Ground must be level. Installation on a hill or incline will create unsafe conditions.*

Position brackets so that the long sides are against the 2" x 4" x $56\frac{1}{2}$ " boards.

Use the bracket as a drill guide and drill $\frac{1}{8}$ " holes 1" deep into the boards. Attach with #8 x $1\frac{1}{4}$ " deck screws.

Use bracket as a drill guide and drill $\frac{3}{8}$ " holes completely through the boards. Secure with $\frac{3}{8}$ " hex bolts (2" through one board and $3\frac{1}{2}$ " through two boards), $\frac{3}{8}$ " washers and $\frac{3}{8}$ " lock nuts.



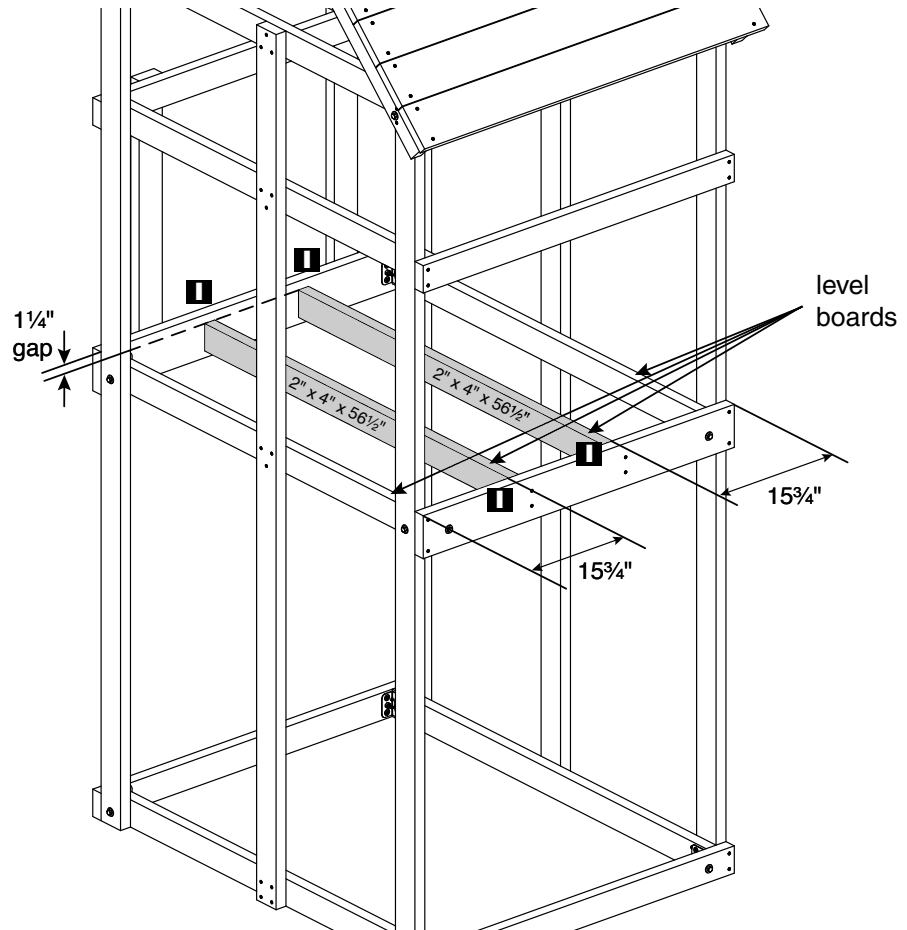
**SEE PAGE 7 FOR
CORNER BRACKETS**

Items for STEP 11:

- (2) 2" x 4" x 56½" boards
- (8) #8 x 2½" deck screws

Position boards at the dimensions shown.

Secure with #8 x 2½" deck screws.

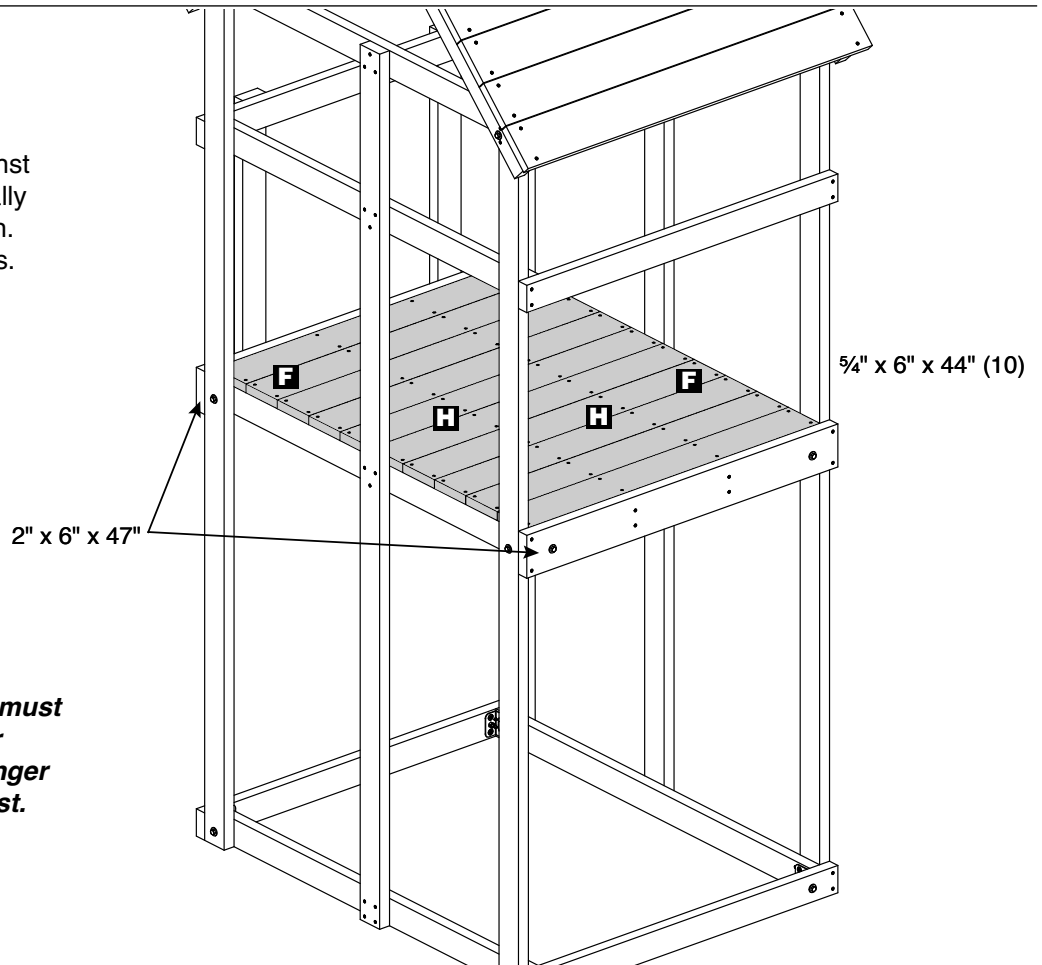


**SEE PAGE 6 FOR
HOLE PATTERNS**

Items for STEP 12:

- (10) 5/4" x 6" x 44" boards
- (80) #8 x 2½" deck screws

Position outside boards tight against the 2" x 6" x 47" boards and equally space remaining boards as shown. Secure with #8 x 2½" deck screws.



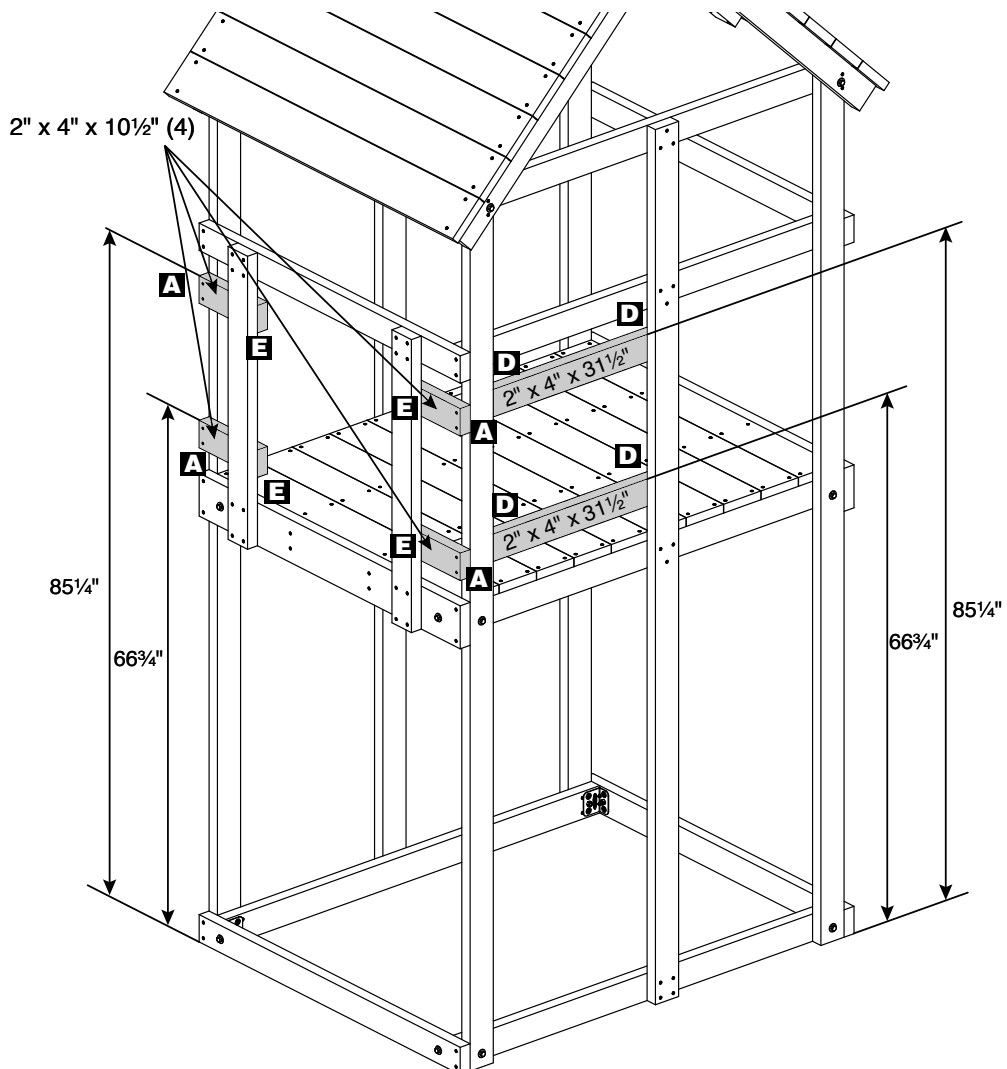
Caution: Gap between boards must be smaller than ¼" or larger than ½" or a finger entrapment could exist.

**SEE PAGE 6 FOR
HOLE PATTERNS**

Items for STEP 13:

- (2) 2" x 4" x 31½" boards
- (4) 2" x 4" x 10½" boards
- (32) #8 x 2½" deck screws

Position boards at dimensions shown. Secure with #8 x 2½" deck screws.

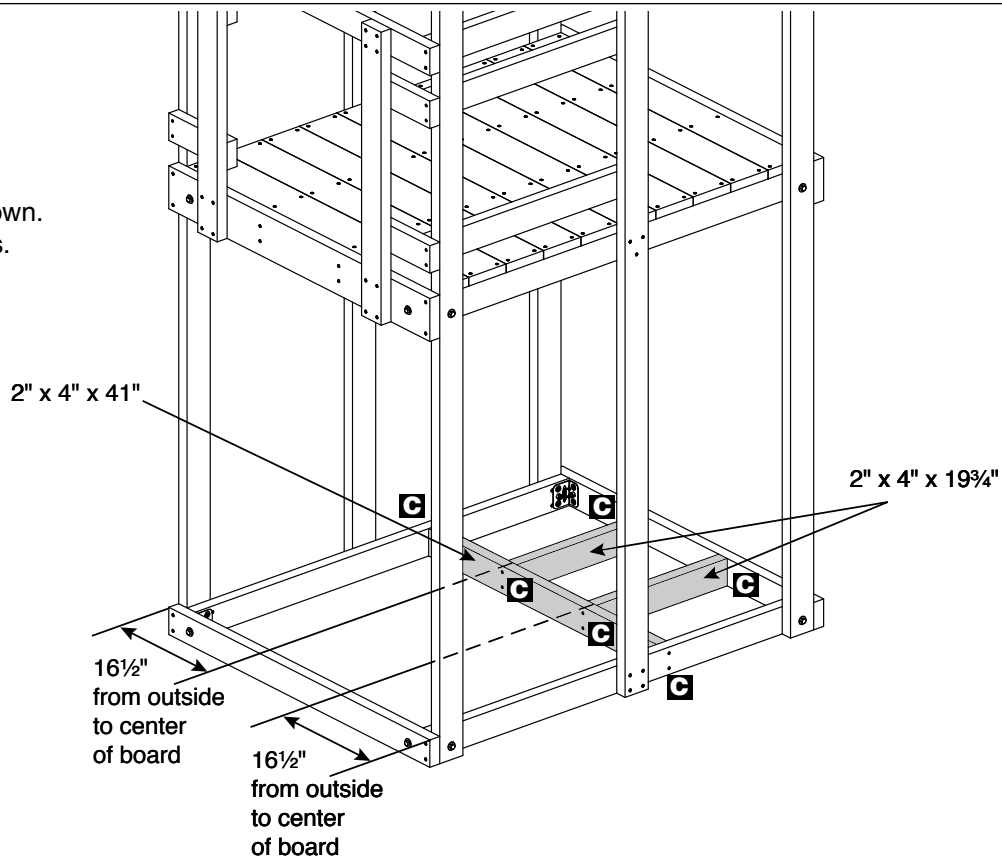


SEE PAGE 6 FOR HOLE PATTERNS

Items for STEP 14:

- (1) 2" x 4" x 41" board
- (2) 2" x 4" x 19¾" boards
- (12) #8 x 2½" deck screws

Position boards at dimensions shown. Secure with #8 x 2½" deck screws.



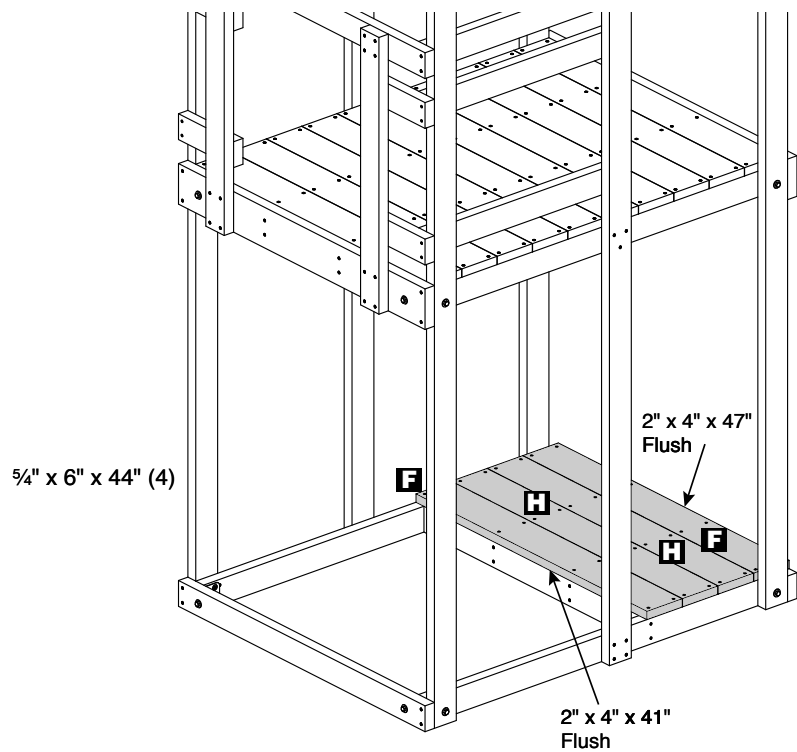
SEE PAGE 6 FOR HOLE PATTERNS

Items for STEP 15:

- (4) 5/4" x 6" x 44" boards
- (32) #8 x 2 1/2" deck screws

Position end boards flush with 2" x 4" boards. Space remaining boards as shown. Secure with #8 x 2 1/2" deck screws.

Caution: Gap between boards must be smaller than 1/4" or larger than 1/2" or a finger entrapment could exist.

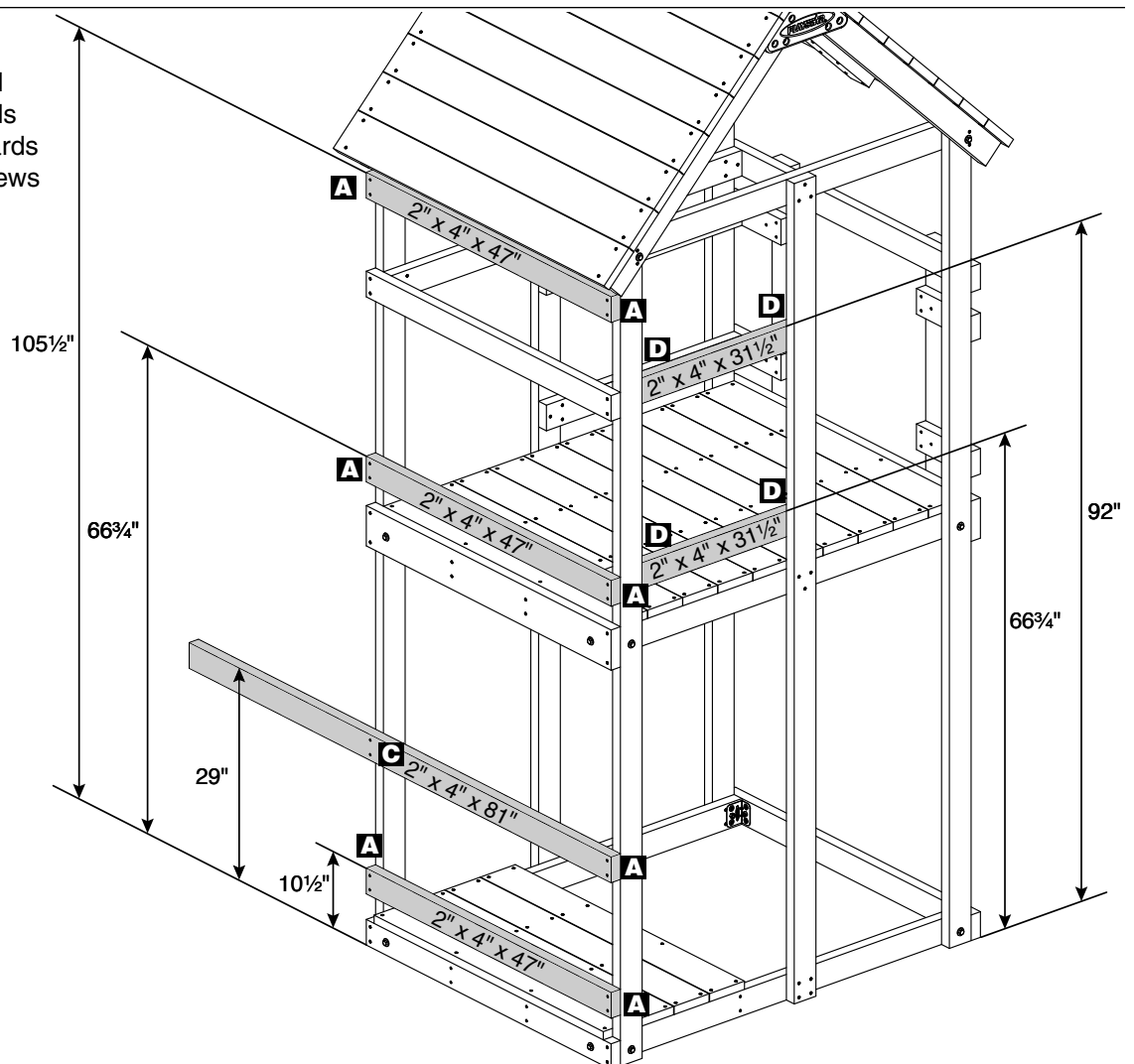


SEE PAGE 6 FOR HOLE PATTERNS

Items for STEP 16:

- (1) 2" x 4" x 81" board
- (3) 2" x 4" x 47" boards
- (2) 2" x 4" x 31 1/2" boards
- (28) #8 x 2 1/2" deck screws

Position boards at dimensions shown. Secure with #8 x 2 1/2" deck screws.



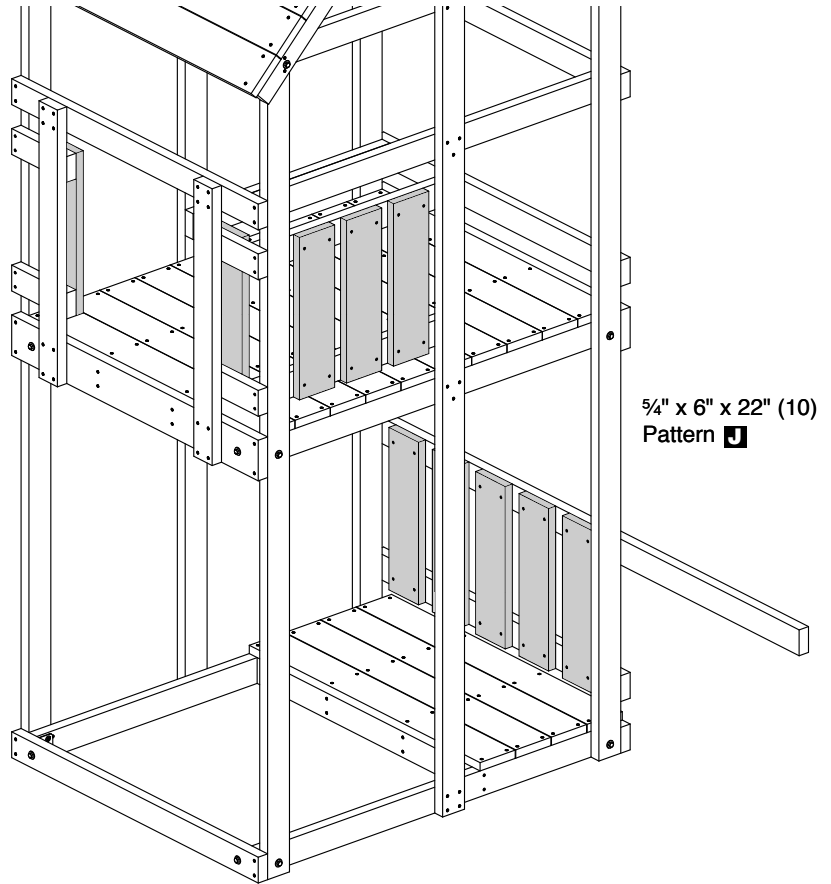
SEE PAGE 6 FOR HOLE PATTERNS

Items for STEP 17:

- (10) 5/4" x 6" x 22" boards
- (40) #8 x 2 1/2" deck screws

Position seven 5/4" x 6" x 22" boards on the inside and three on the outside of the tower flush with the top and bottom guardrail boards and equally spaced. Secure with #8 x 2 1/2" deck screws.

Caution: *Gap between boards must not exceed 3 1/2" or a head entrapment could exist.*



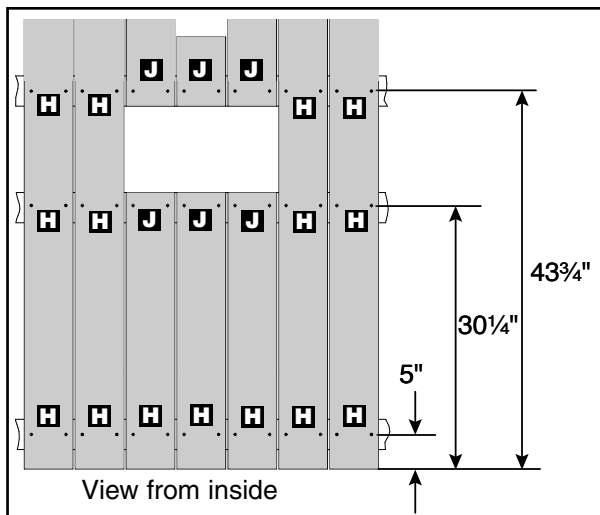
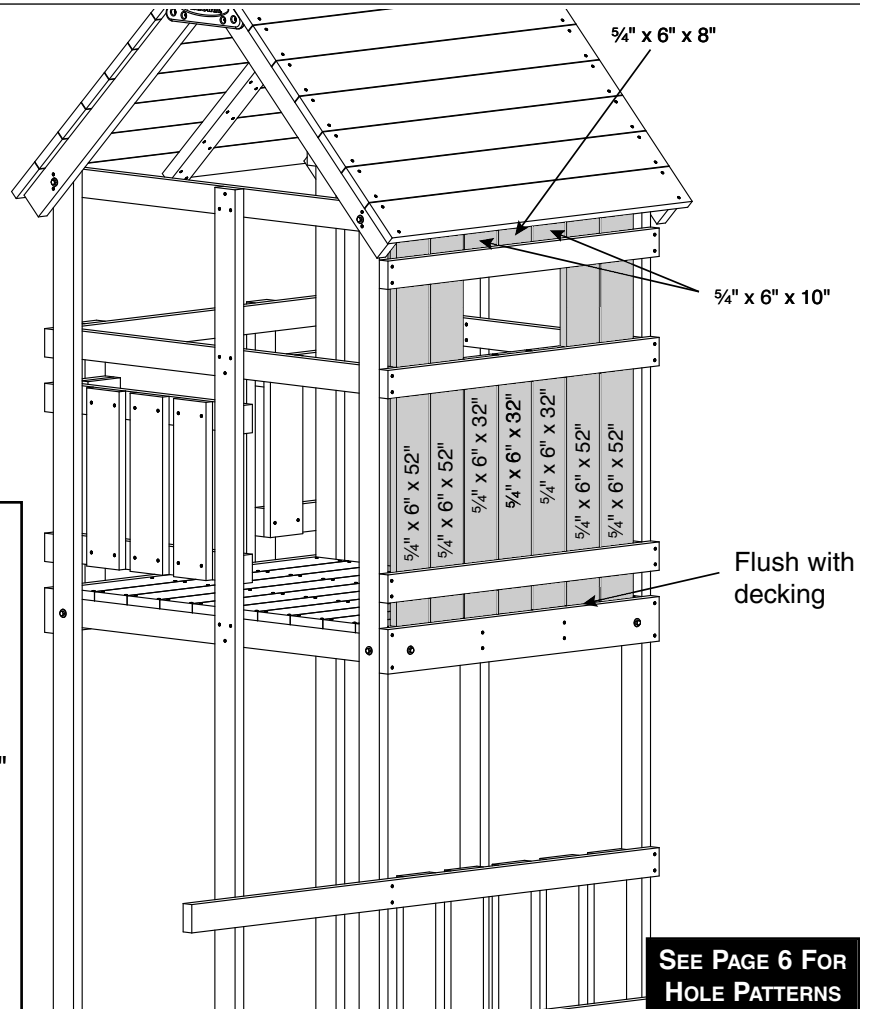
SEE PAGE 6 FOR HOLE PATTERNS

Items for STEP 18:

- (4) 5/4" x 6" x 52" boards
- (3) 5/4" x 6" x 32" boards
- (2) 5/4" x 6" x 10" boards
- (1) 5/4" x 6" x 8" board
- (42) #8 x 2 1/2" deck screws

Position 5/4" x 6" boards on the inside of the tower flush with the top and bottom guardrail boards and equally spaced as shown. Secure with #8 x 2 1/2" deck screws.

Caution: *Gap between boards must be smaller than 1/4" or larger than 1/2" or a finger entrapment could exist.*



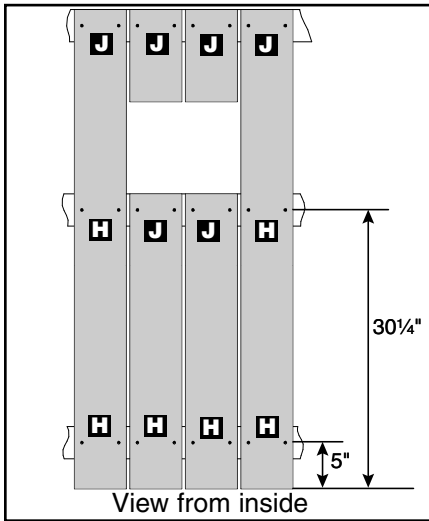
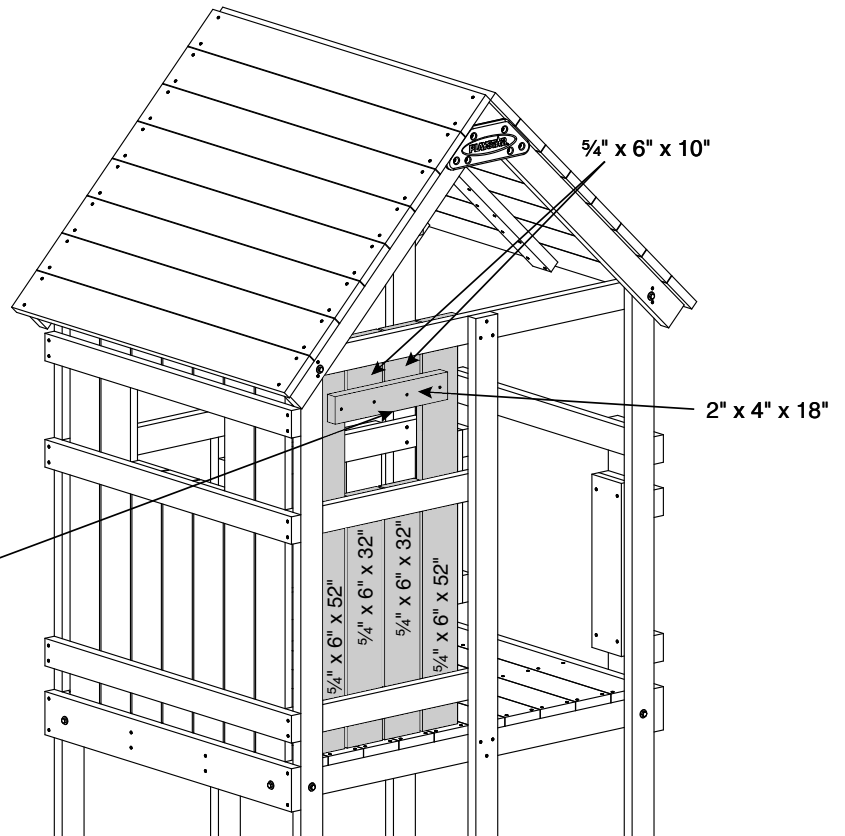
SEE PAGE 6 FOR HOLE PATTERNS

Items for STEP 19:

- (2) 5/4" x 6" x 52" boards
- (2) 5/4" x 6" x 32" boards
- (2) 5/4" x 6" x 10" boards
- (1) 2" x 4" x 18" board
- (28) #8 x 2 1/2" deck screws

Position 5/4" x 6" boards on the inside of the tower flush with the top and bottom guardrail boards and equally spaced as shown. Secure with #8 x 2 1/2" deck screws.

Attach 2" x 4" x 18" board centered in the window and flush with 5/4" x 6" x 10" boards as shown. Secure with #8 x 2 1/2" deck screws.



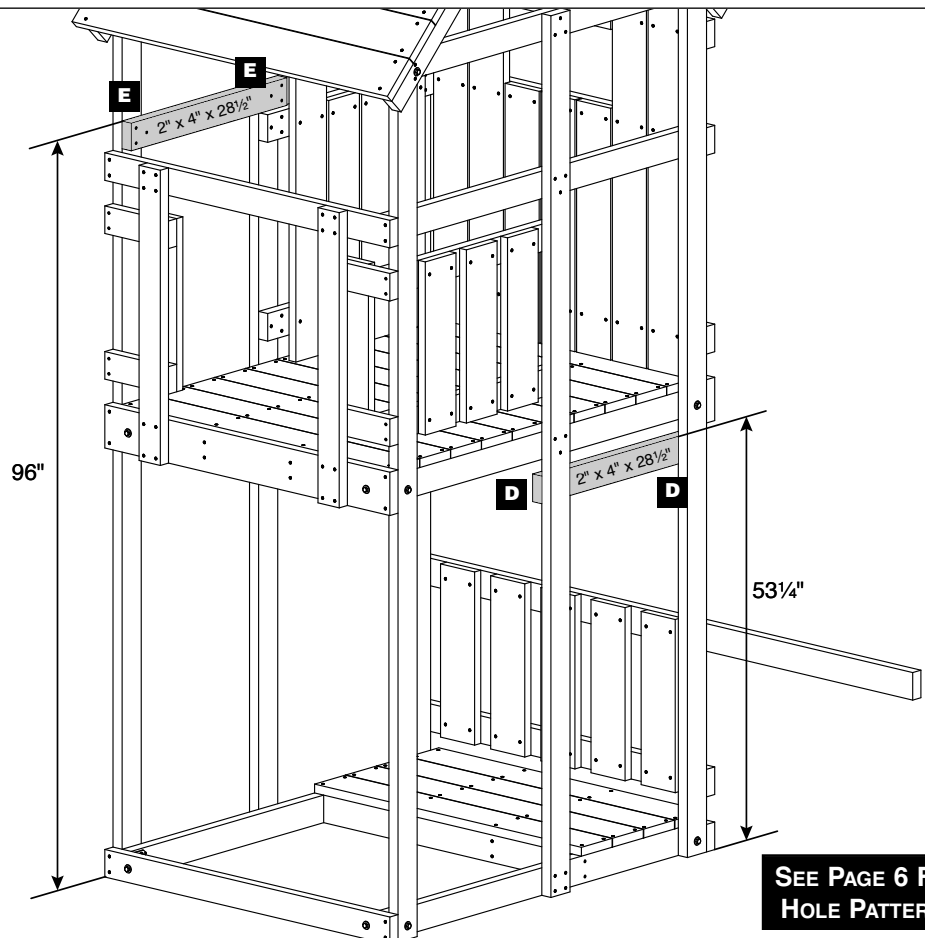
Caution: Gap between boards must be smaller than 1/4" or larger than 1/2" or a finger entrapment could exist.

SEE PAGE 6 FOR HOLE PATTERNS

Items for STEP 20:

- (2) 2" x 4" x 28 1/2" board
- (12) #8 x 2 1/2" deck screws

Position boards at dimensions shown. Secure with #8 x 2 1/2" deck screws.



TURN TO PAGE 53 FOR SWING STATION ASSEMBLY

SEE PAGE 6 FOR HOLE PATTERNS

CUTTING GUIDE - SILVER

Before starting to build your Playset, make sure all boards are cut and identified by size. Stack identical size boards in neat piles.

(If you do not want to mark on lumber, use masking tape or chalk.)

This will improve your building time greatly because you will already know the size of each board as the instructions call for them.

5/4" x 6" x 8' - twenty-four (24) boards required

(14) boards	52"	44"
-------------	-----	-----

(2) boards	52"	22"	22"
------------	-----	-----	-----

(1) board	52"	22"	21½"
-----------	-----	-----	------

(4) boards	52"	21½"	21½"
------------	-----	------	------

(1) board	52"	10"	10"	10"	10"	
-----------	-----	-----	-----	-----	-----	--

(1) board	32"	32"	32"
-----------	-----	-----	-----

(1) board	32"	32"	8"	
-----------	-----	-----	----	--

2" x 6" x 10' - two (2) boards required

(2) boards	120"
------------	------

2" x 6" x 8' - one (1) board required

(1) board	47"	47"	
-----------	-----	-----	--

2" x 4" x 10' - six (6) boards required

(6) boards

	100"
--	------

2" x 4" x 8' - thirty-one (31) boards required

(8) boards

	96"
--	-----

(1) board

	81"
--	-----

(2) boards

72"	19 ³ / ₄ "	
-----	----------------------------------	--

(1) board

69"	18"	
-----	-----	--

(1) board

69"	10 ¹ / ₂ "	10 ¹ / ₂ "	
-----	----------------------------------	----------------------------------	--

(1) board

60"	28 ¹ / ₂ "	
-----	----------------------------------	--

(2) boards

56 ¹ / ₂ "	37 ¹ / ₂ "
----------------------------------	----------------------------------

(4) boards

56 ¹ / ₂ "	31 ¹ / ₂ "
----------------------------------	----------------------------------

(3) boards

56 ¹ / ₂ "	28 ¹ / ₂ "	
----------------------------------	----------------------------------	--

(1) board

52"	44"
-----	-----

(1) board

52"	42 ¹ / ₂ "
-----	----------------------------------

(3) boards

47"	47"	
-----	-----	--

(1) board

45"	45"	
-----	-----	--

(1) board

41 ¹ / ₂ "	41 ¹ / ₂ "	
----------------------------------	----------------------------------	--

(1) board

41"	28 ¹ / ₂ "	10 ¹ / ₂ "	10 ¹ / ₂ "	
-----	----------------------------------	----------------------------------	----------------------------------	--

ROOF ASSEMBLY - SILVER

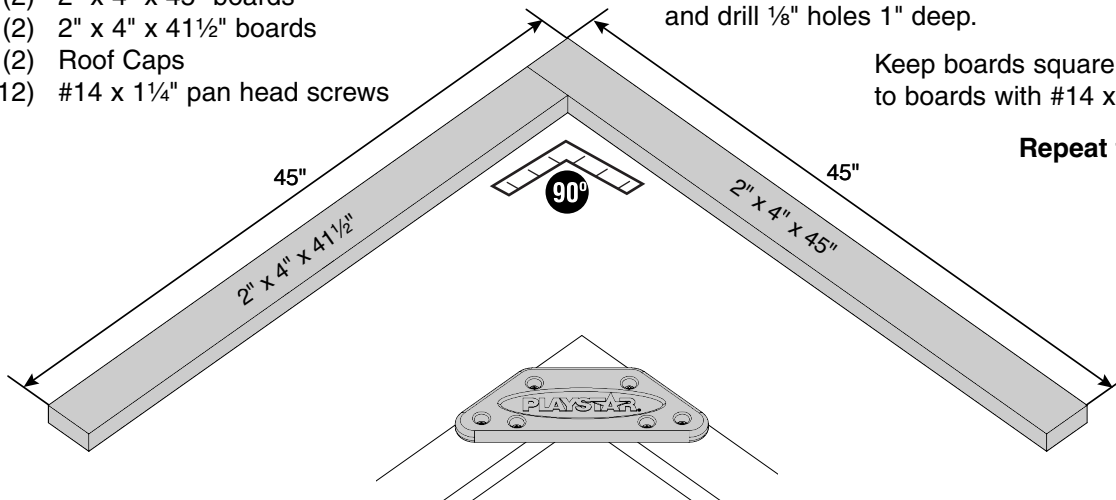
Items for STEP 1:

- (2) 2" x 4" x 45" boards
- (2) 2" x 4" x 41½" boards
- (2) Roof Caps
- (12) #14 x 1¼" pan head screws

On a flat surface position boards together as shown. Position roof cap flush with outside edges. Use roof cap as a drill guide and drill ⅛" holes 1" deep.

Keep boards square while attaching roof cap to boards with #14 x 1¼" pan head screws.

Repeat for second assembly.



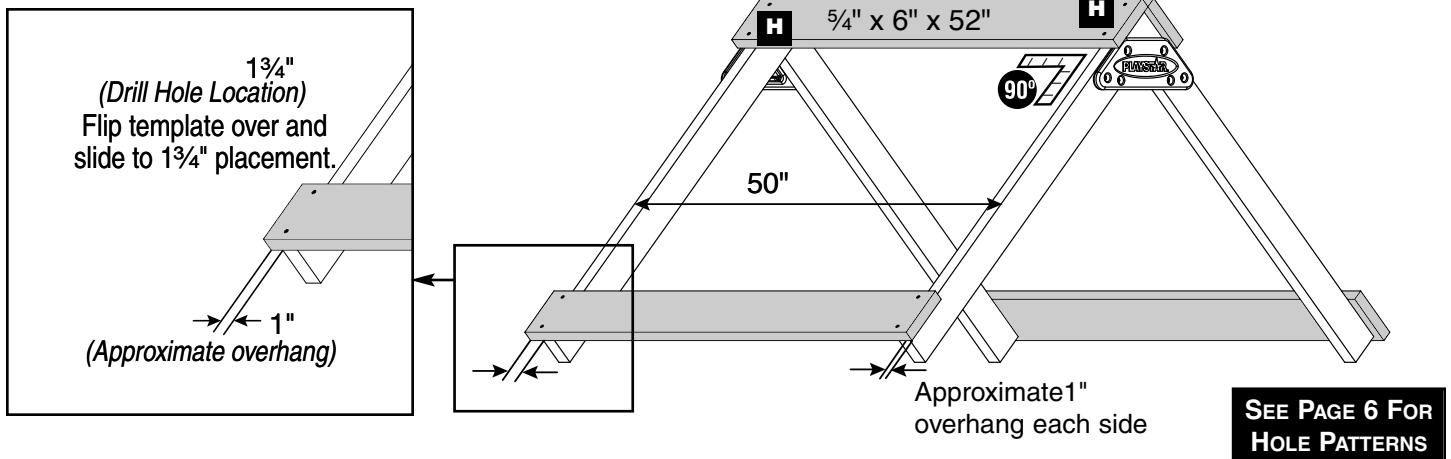
Items for STEP 2:

- (2) Step 1 Assemblies
- (4) 5/4" x 6" x 52" boards
- (16) #8 x 2½" deck screws

Hold assemblies 50" apart. Position boards flush at the top and bottom as shown.

Keep boards square and secure with #8 x 2½" deck screws.

Repeat for other side.



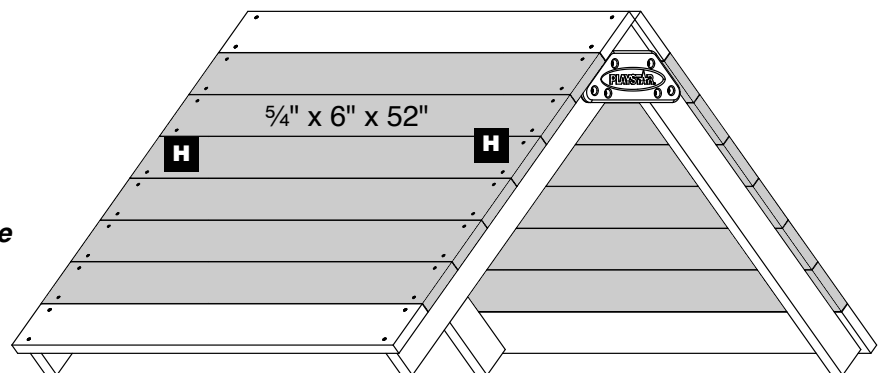
Items for STEP 3:

- (12) 5/4" x 6" x 52" boards
- (48) #8 x 2½" deck screws

Start at the top and attach boards between top and bottom boards as shown. Secure with #8 x 2½" deck screws.

Note: If the last board doesn't fit because the boards are oversized, remove the bottom board and reattach.

Repeat for other side.



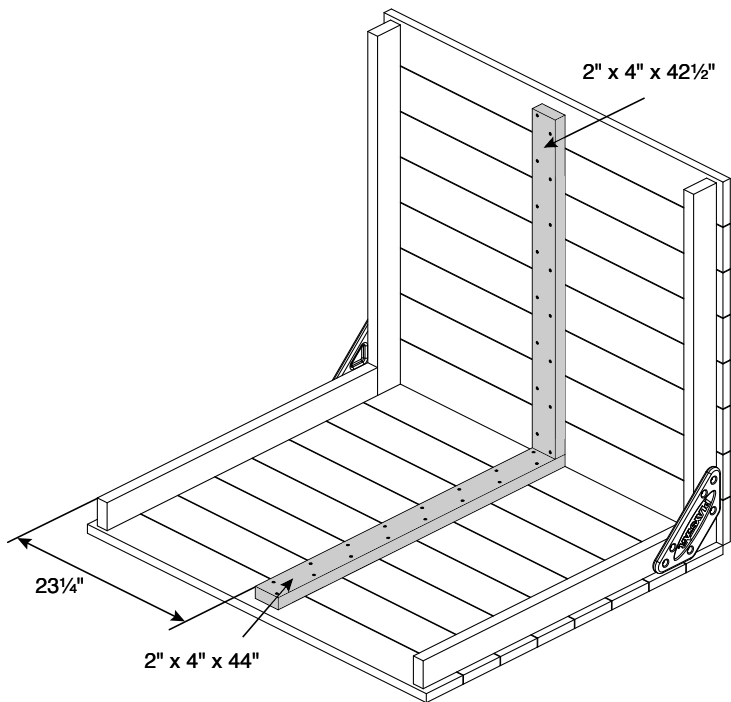
SEE PAGE 6 FOR
HOLE PATTERNS

Items for STEP 4:

- (1) 2" x 4" x 44" board
- (1) 2" x 4" x 42½" board
- (32) #8 x 2½" deck screws

From the underside of roof assembly, place 2" x 4" x 44" board flat against roof assembly centered as shown. Secure with two #8 x 2½" deck screws per each roof board.

Place 2" x 4" x 42½" board flat against roof assembly and the 2" x 4" x 44" board. Secure with #8 x 2½" deck screws.



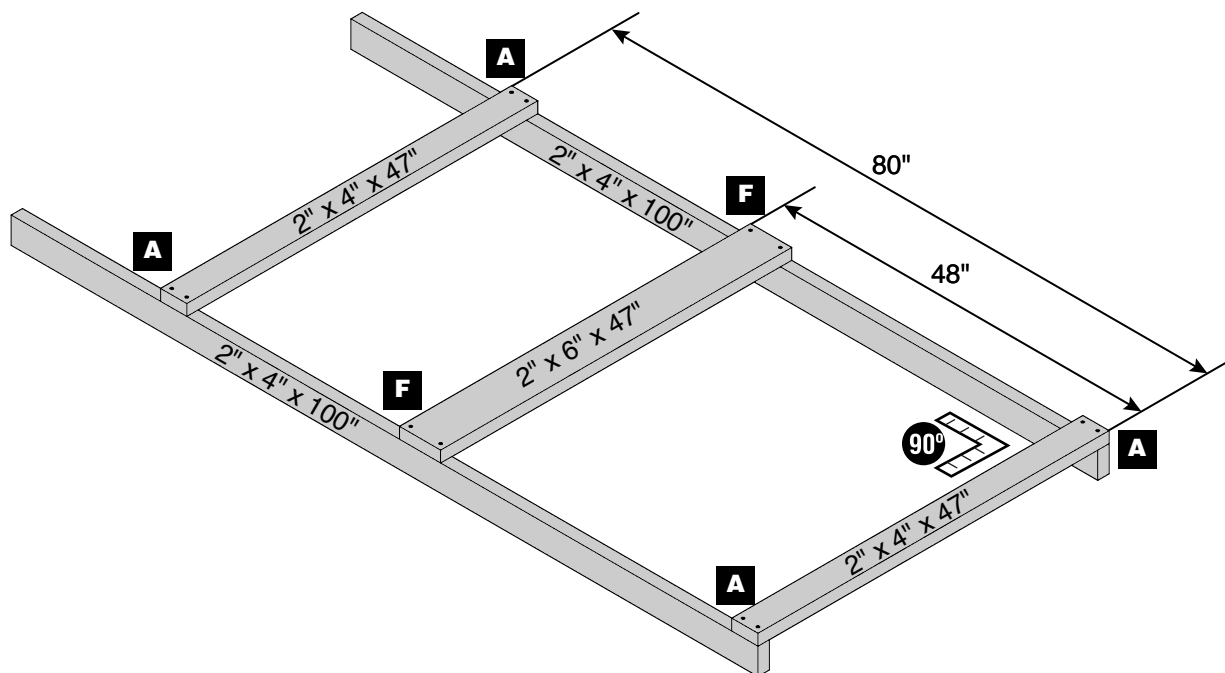
SEE PAGE 6 FOR
HOLE PATTERNS

TOWER ASSEMBLY - SILVER

Items for STEP 5:

- (2) 2" x 4" x 100" boards
- (1) 2" x 6" x 47" board
- (2) 2" x 4" x 47" boards
- (12) #8 x 2½" deck screws

On a flat surface position boards at dimensions shown. Keep assembly square while securing with #8 x 2½" deck screws.



SEE PAGE 6 FOR
HOLE PATTERNS

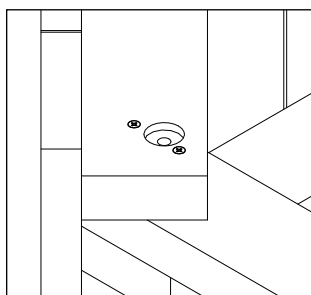
Items for STEP 8:

- (1) Roof Assembly
- (1) 2" x 4" x 100" board
- (2) 3/8" x 5" hex bolts
- (4) 3/8" washers
- (2) 3/8" lock nuts
- (17) #8 x 2 1/2" deck screws

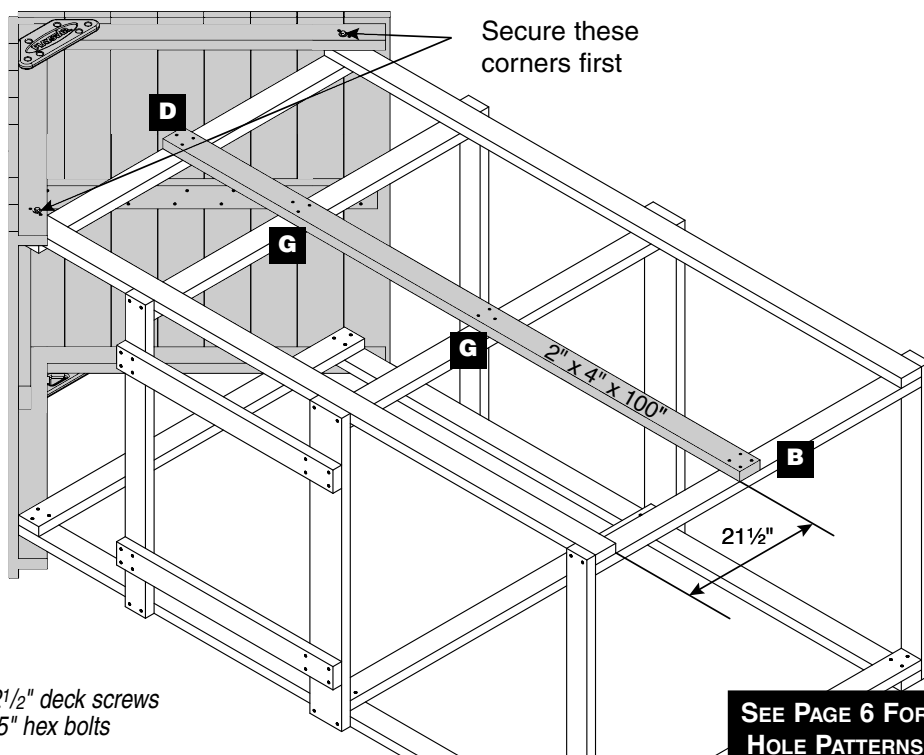
Attach 2" x 4" x 100" at dimension shown. Secure with #8 x 2 1/2" deck screws.

Position roof assembly so both sides of roof overhang 2" x 4" boards equally. Secure top corners with two #8 x 2 1/2" deck screws, 3/8" x 5" hex bolt, 3/8" washers and 3/8" lock nuts. If lumber is oversized, counterboring may be required. Drill 1 1/8" counterbore 1/4" deep. (See Counterbore & Screw Placement Detail below)

Counterbore & Screw Placement Detail



Predrill –
 1/8" Dia. for #8 x 2 1/2" deck screws
 3/8" Dia. for 3/8" x 5" hex bolts



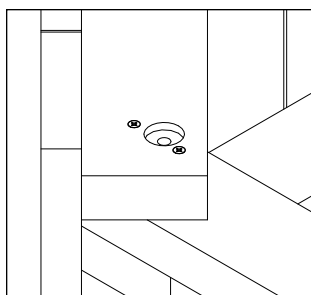
Items for STEP 9:

- (2) 3/8" x 5" hex bolts
- (1) 2" x 4" x 100" board
- (4) 3/8" washers
- (2) 3/8" lock nuts
- (14) #8 x 2 1/2" deck screws

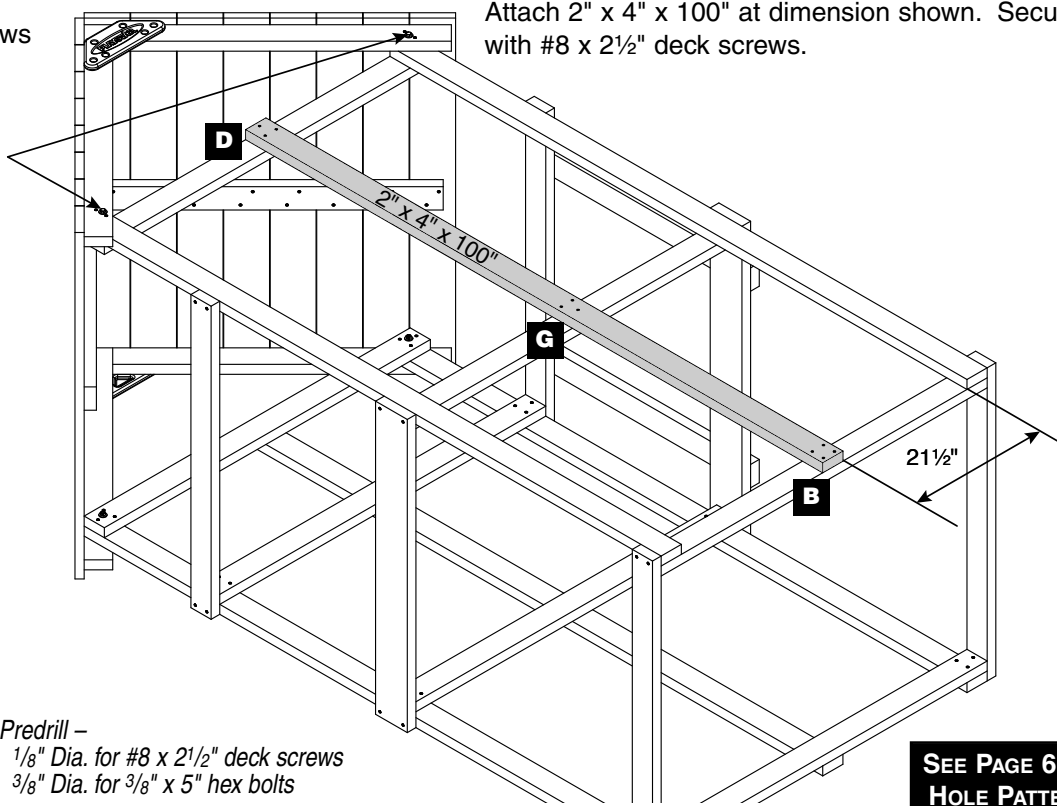
Rotate tower 180° as shown. Verify the unattached side of the roof overhangs the 2" x 4" boards equally. Secure the other two corners with #8 x 2 1/2" deck screws, 3/8" x 5" hex bolt, 3/8" washers and 3/8" lock nuts. If lumber is oversized, counterboring may be required. Drill 1 1/8" counterbore 1/4" deep. (See Counterbore & Screw Placement Detail below)

Attach 2" x 4" x 100" at dimension shown. Secure with #8 x 2 1/2" deck screws.

Counterbore & Screw Placement Detail



Predrill –
 1/8" Dia. for #8 x 2 1/2" deck screws
 3/8" Dia. for 3/8" x 5" hex bolts



Items for STEP 10:

- (8) Corner Brackets
- (8) $\frac{3}{8}$ " x $3\frac{1}{2}$ " hex bolts
- (8) $\frac{3}{8}$ " x 2" hex bolts
- (16) $\frac{3}{8}$ " washers
- (16) $\frac{3}{8}$ " lock nuts
- (32) #8 x $1\frac{1}{4}$ " deck screws

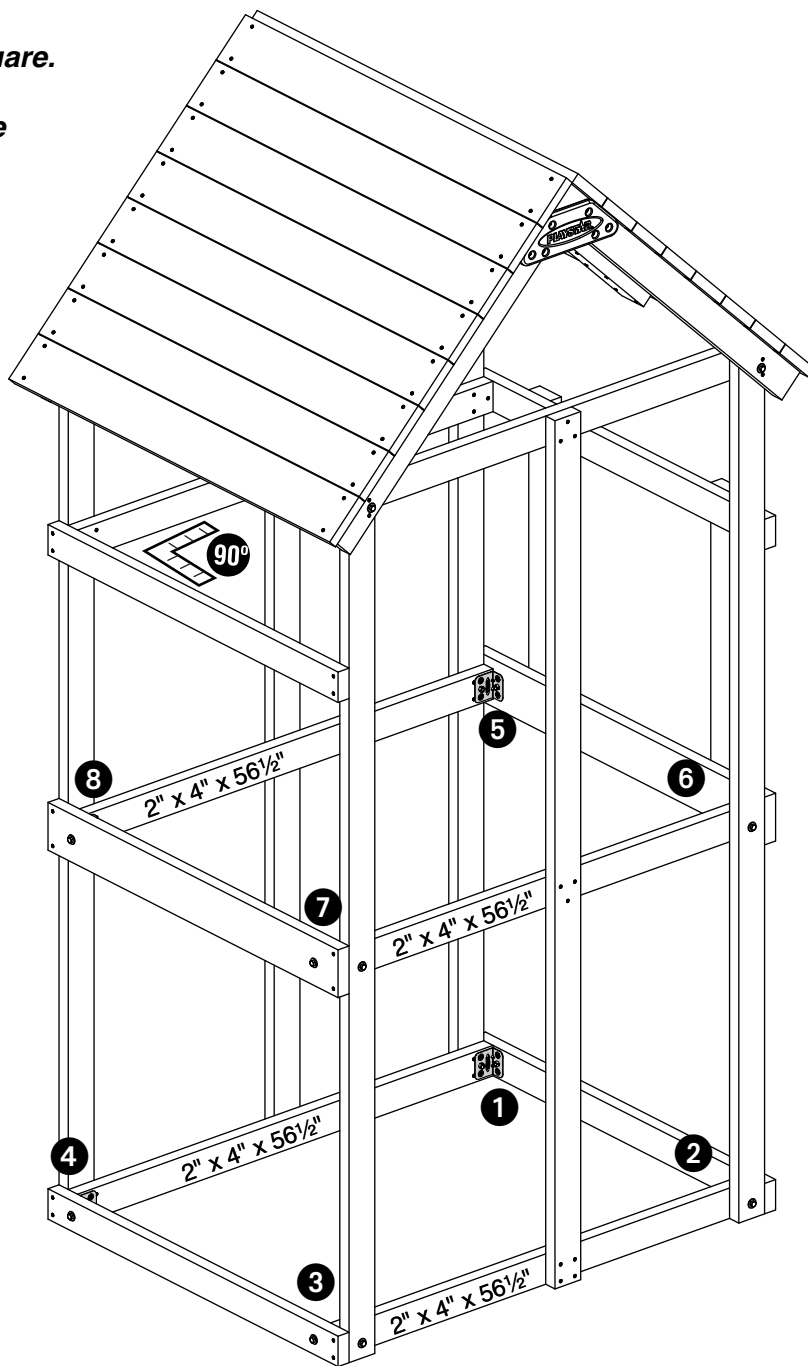
Lift tower assembly upright and position in desired location.

Caution: Make sure tower remains square. Ground must be level. Installation on a hill or incline will create unsafe conditions.

Position brackets so that the long sides are against the 2" x 4" x $56\frac{1}{2}$ " boards.

Use the bracket as a drill guide and drill $\frac{1}{8}$ " holes 1" deep into the boards. Attach with #8 x $1\frac{1}{4}$ " deck screws.

Use bracket as a drill guide and drill $\frac{3}{8}$ " holes completely through the boards. Secure with $\frac{3}{8}$ " hex bolts (2" through one board and $3\frac{1}{2}$ " through two boards), $\frac{3}{8}$ " washers and $\frac{3}{8}$ " lock nuts.



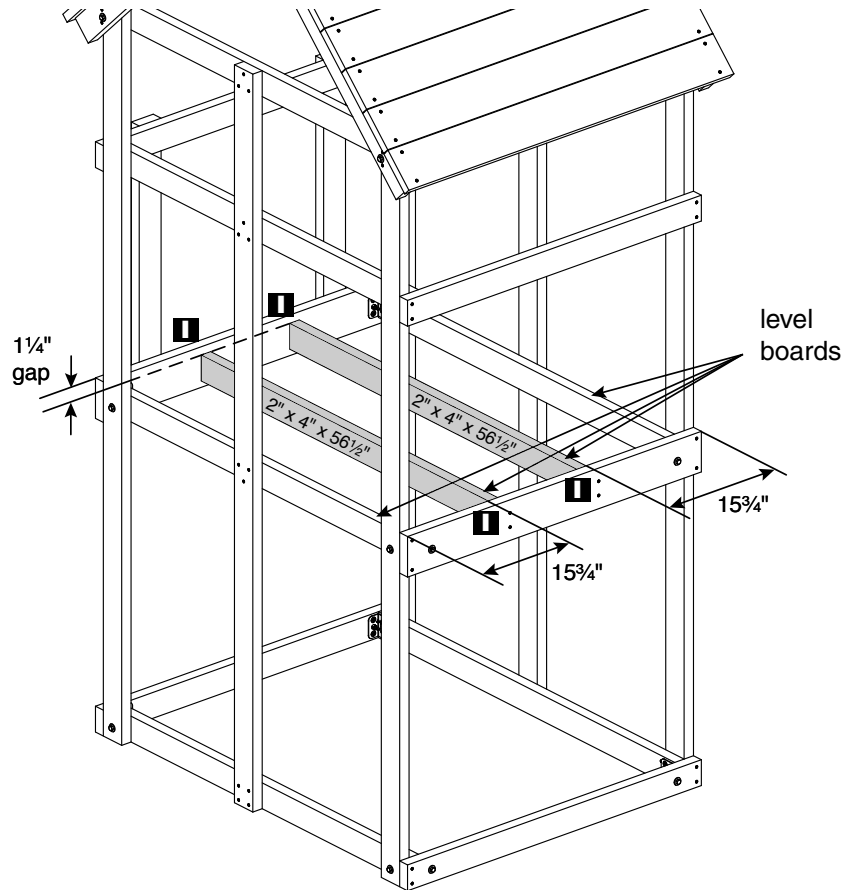
**SEE PAGE 7 FOR
CORNER BRACKETS**

Items for **STEP 11:**

- (2) 2" x 4" x 56½" boards
- (8) #8 x 2½" deck screws

Position boards at the dimensions shown.

Secure with #8 x 2½" deck screws.

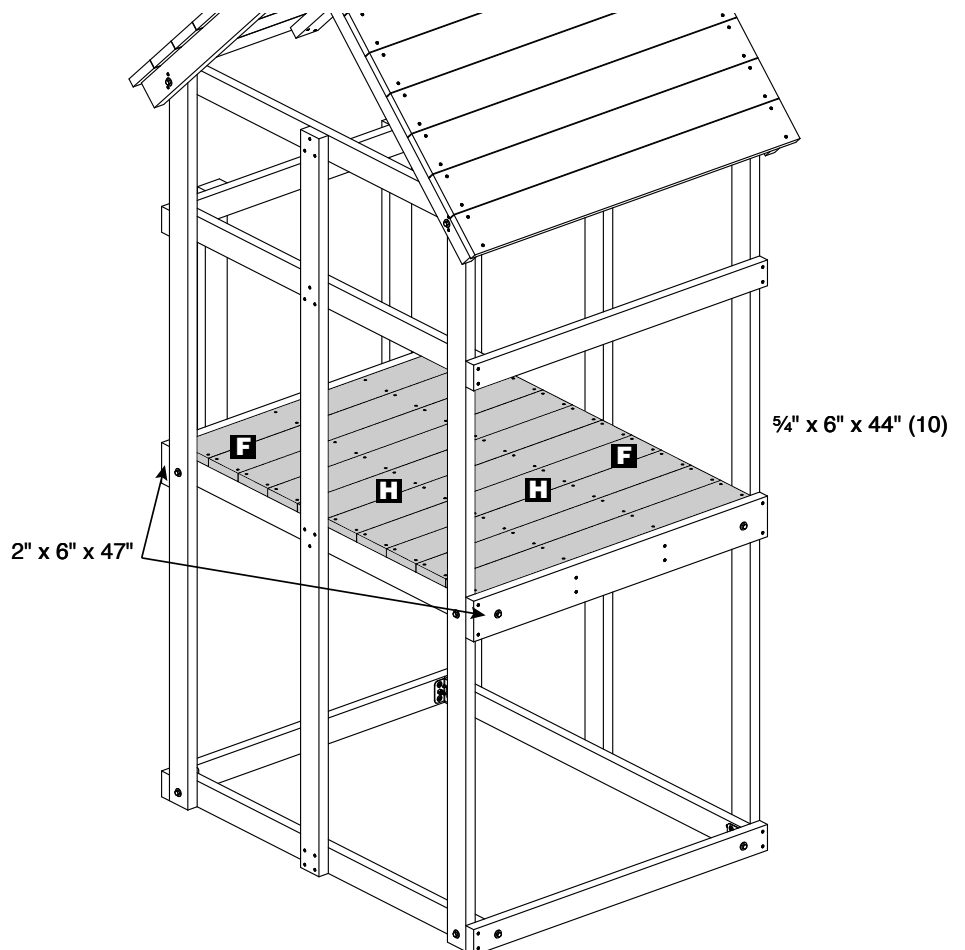


**SEE PAGE 6 FOR
HOLE PATTERNS**

Items for **STEP 12:**

- (10) 5/4" x 6" x 44" boards
- (80) #8 x 2½" deck screws

Position outside boards tight against the 2" x 6" x 47" boards and equally space remaining boards as shown. Secure with #8 x 2½" deck screws.



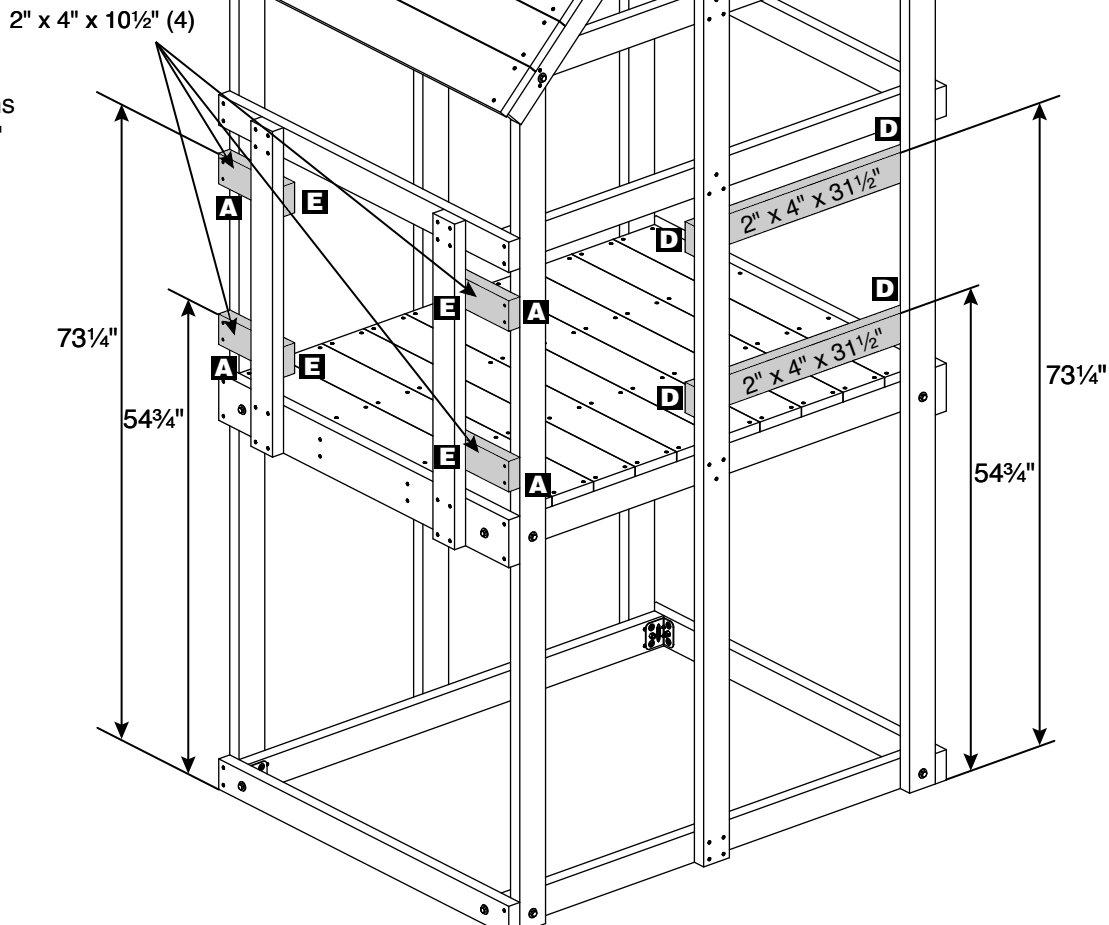
Caution: Gap between boards must be smaller than ¼" or larger than ½" or a finger entrapment could exist.

**SEE PAGE 6 FOR
HOLE PATTERNS**

Items for STEP 13:

- (2) 2" x 4" x 31½" boards
- (4) 2" x 4" x 10½" boards
- (32) #8 x 2½" deck screws

Position boards at dimensions shown. Secure with #8 x 2½" deck screws.

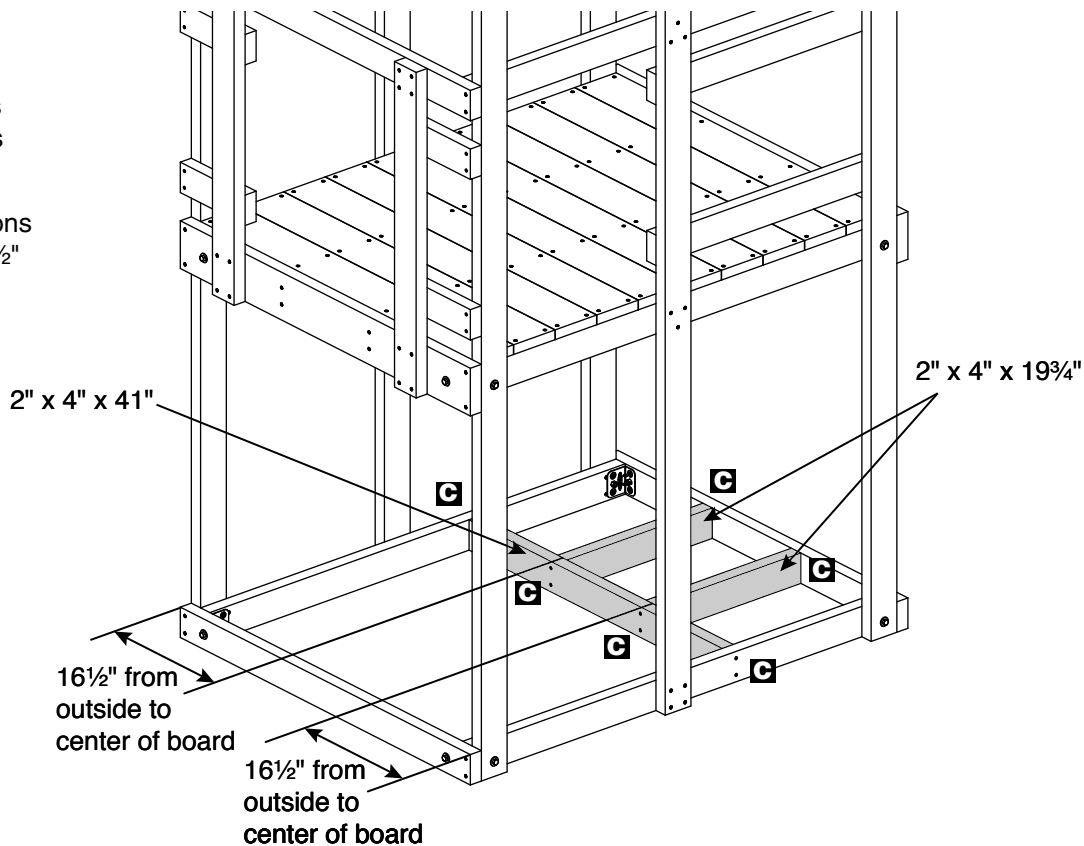


SEE PAGE 6 FOR HOLE PATTERNS

Items for STEP 14:

- (1) 2" x 4" x 41" board
- (2) 2" x 4" x 19¾" boards
- (12) #8 x 2½" deck screws

Position boards at dimensions shown. Secure with #8 x 2½" deck screws.



SEE PAGE 6 FOR HOLE PATTERNS

Items for STEP 15:

- (4) 5/4" x 6" x 44" boards
- (32) #8 x 2 1/2" deck screws

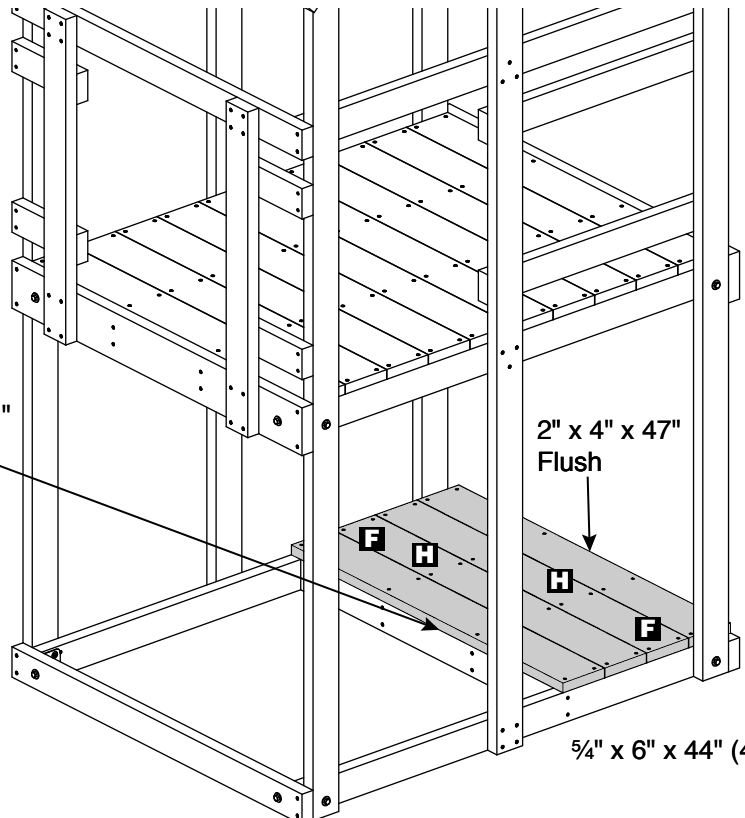
Position end boards flush with 2" x 4" boards. Space remaining boards as shown. Secure with #8 x 2 1/2" deck screws.

Caution: Gap between boards must be smaller than 1/4" or larger than 1/2" or a finger entrapment could exist.

2" x 4" x 41"
Flush

2" x 4" x 47"
Flush

5/4" x 6" x 44" (4)



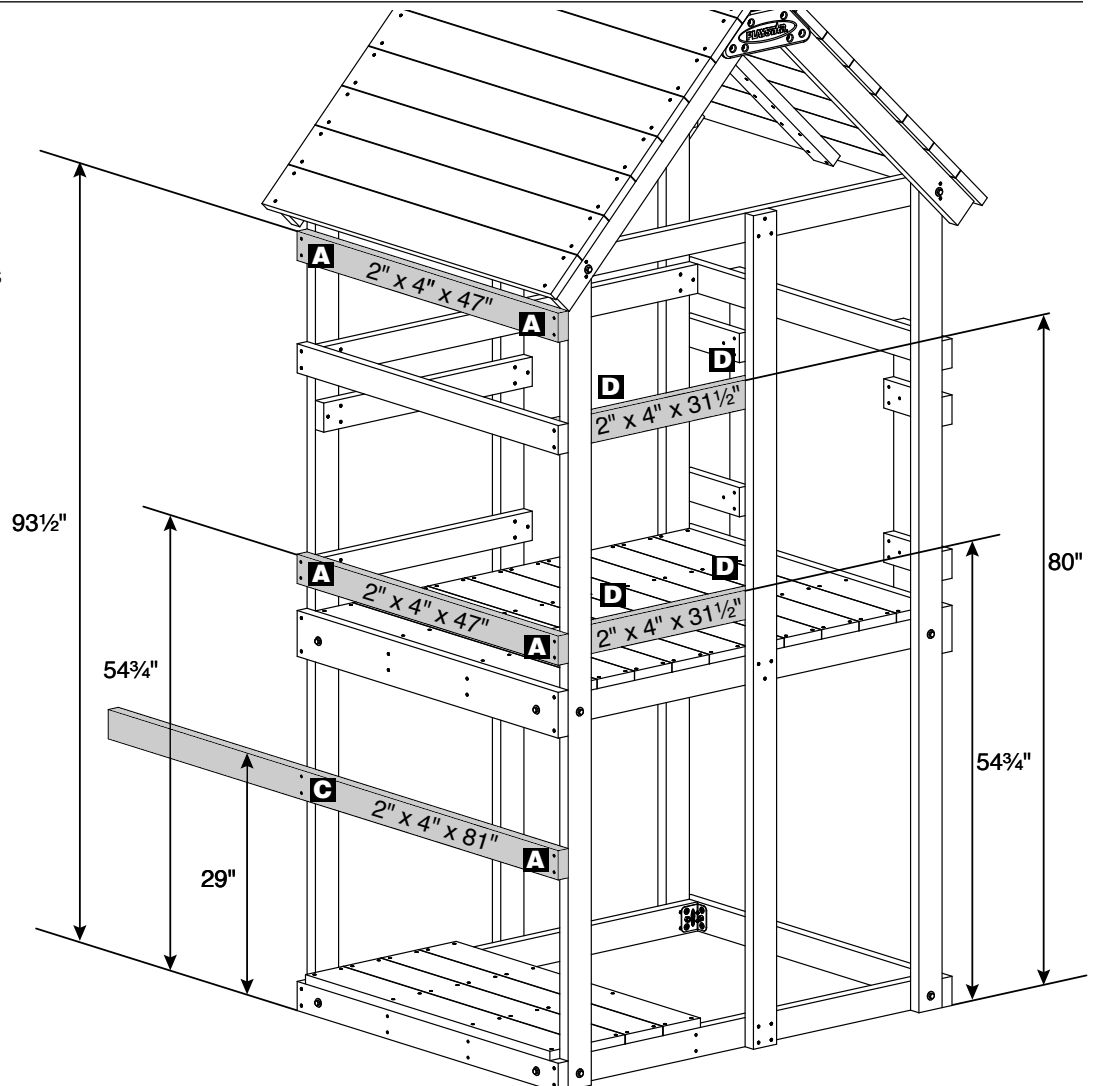
**SEE PAGE 6 FOR
HOLE PATTERNS**

Items for STEP 16:

- (1) 2" x 4" x 81" board
- (2) 2" x 4" x 47" boards
- (2) 2" x 4" x 31 1/2" boards
- (24) #8 x 2 1/2" deck screws

Position boards at dimensions shown.

Secure with #8 x 2 1/2" deck screws.



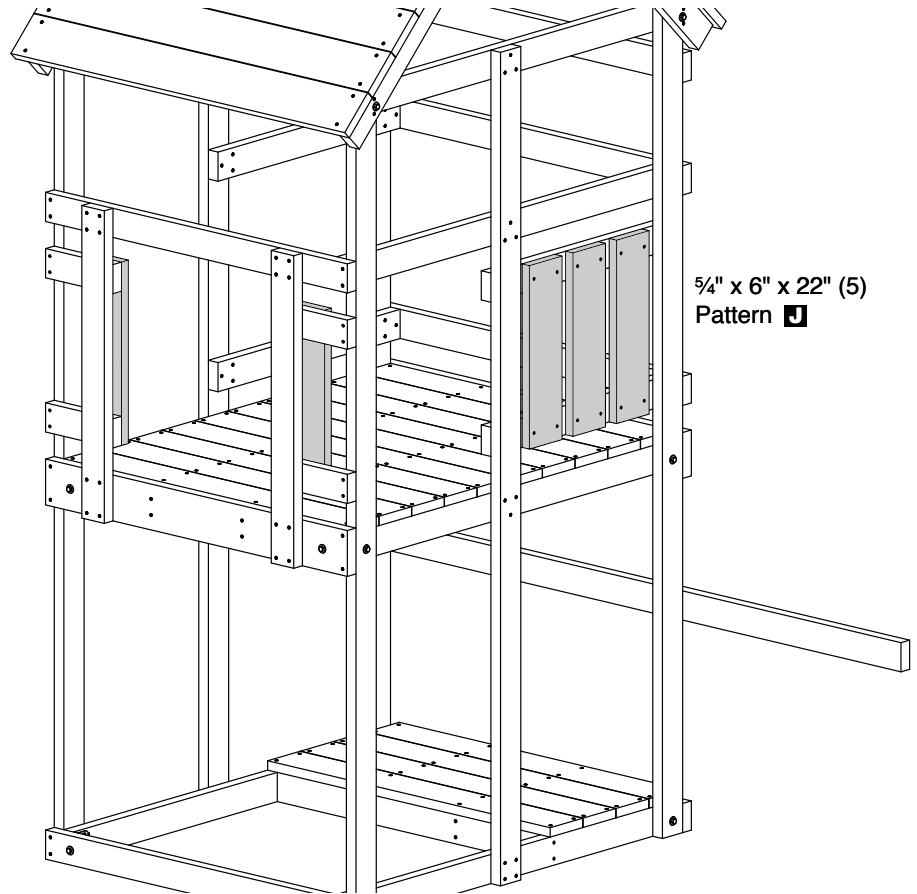
**SEE PAGE 6 FOR
HOLE PATTERNS**

Items for STEP 17:

- (5) 5/4" x 6" x 22" boards
- (20) #8 x 2 1/2" deck screws

Position two 5/4" x 6" x 22" boards on the inside and three boards on the outside of the tower flush with the top and bottom guardrail boards and equally spaced as shown. Secure with #8 x 2 1/2" deck screws.

Caution: *Gap between boards must not exceed 3 1/2" or a head entrapment could exist.*



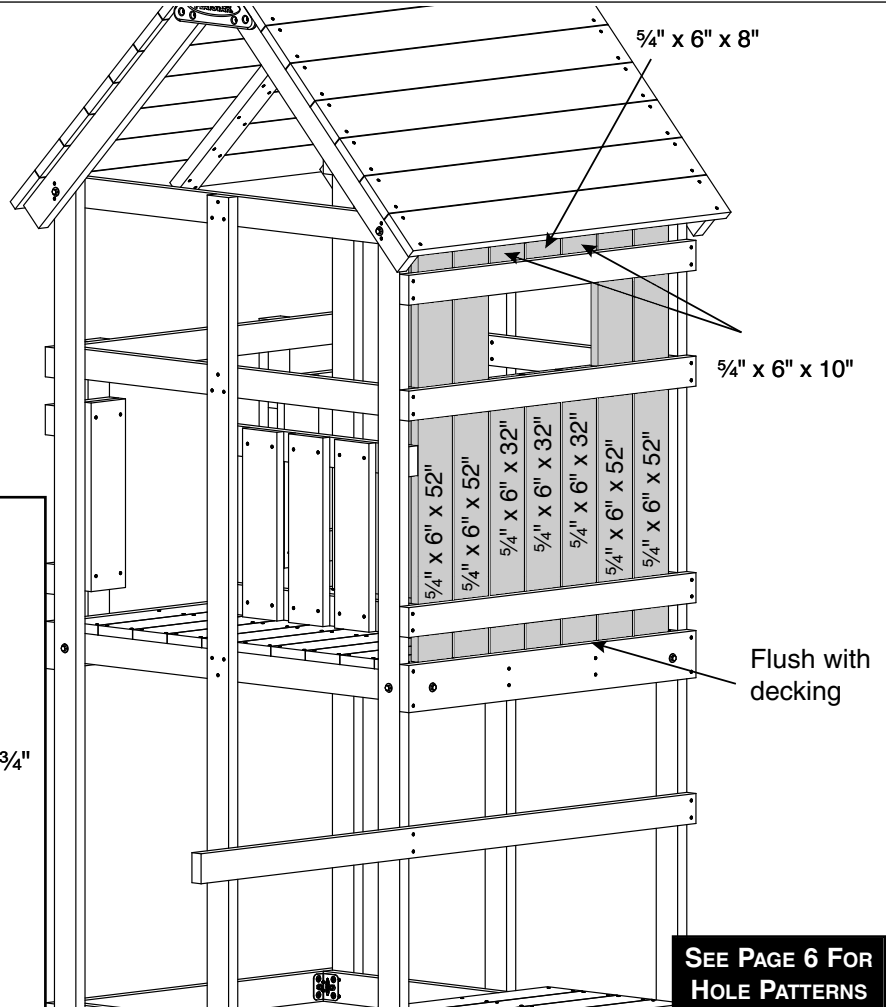
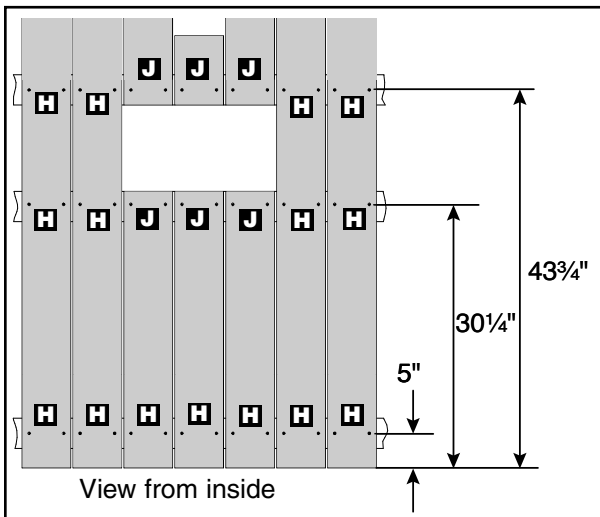
SEE PAGE 6 FOR HOLE PATTERNS

Items for STEP 18:

- (4) 5/4" x 6" x 52" boards
- (3) 5/4" x 6" x 32" boards
- (2) 5/4" x 6" x 10" boards
- (1) 5/4" x 6" x 8" board
- (42) #8 x 2 1/2" deck screws

Position 5/4" x 6" boards on the inside of the tower flush with the top and bottom guardrail boards and equally spaced. Secure with #8 x 2 1/2" deck screws.

Caution: *Gap between boards must be smaller than 1/4" or larger than 1/2" or a finger entrapment could exist.*

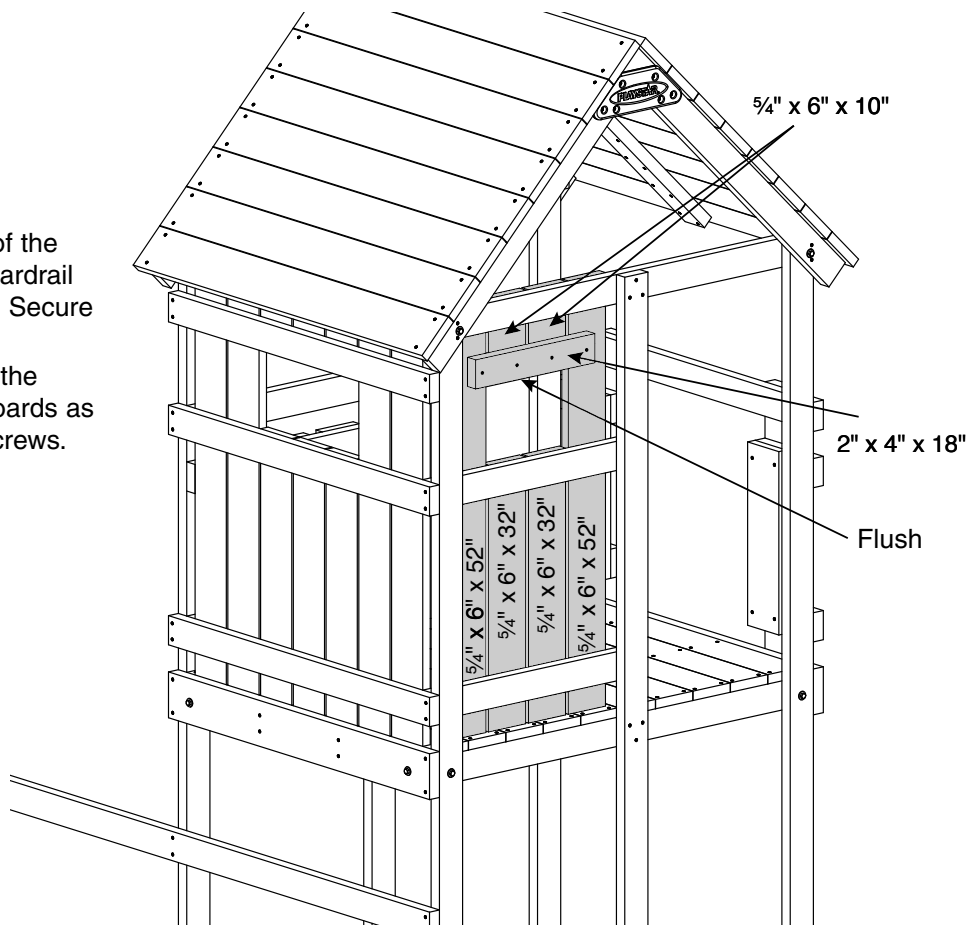
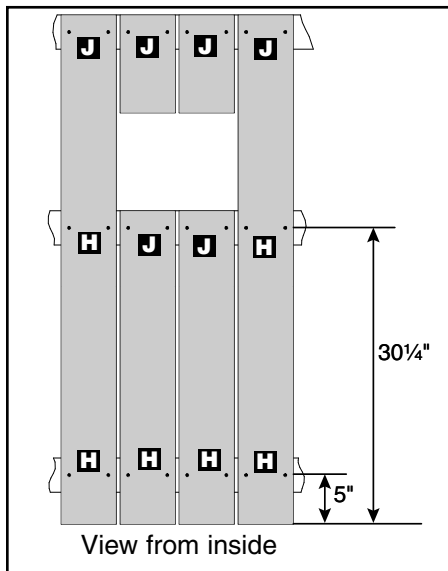


Items for STEP 19:

- (2) 5/4" x 6" x 52" boards
- (2) 5/4" x 6" x 32" boards
- (2) 5/4" x 6" x 10" boards
- (1) 2" x 4" x 18" board
- (28) #8 x 2 1/2" deck screws

Position 5/4" x 6" boards on the inside of the tower flush with the top and bottom guardrail boards and equally spaced as shown. Secure with #8 x 2 1/2" deck screws.

Attach 2" x 4" x 18" board centered in the window and flush with 5/4" x 6" x 10" boards as shown. Secure with #8 x 2 1/2" deck screws.



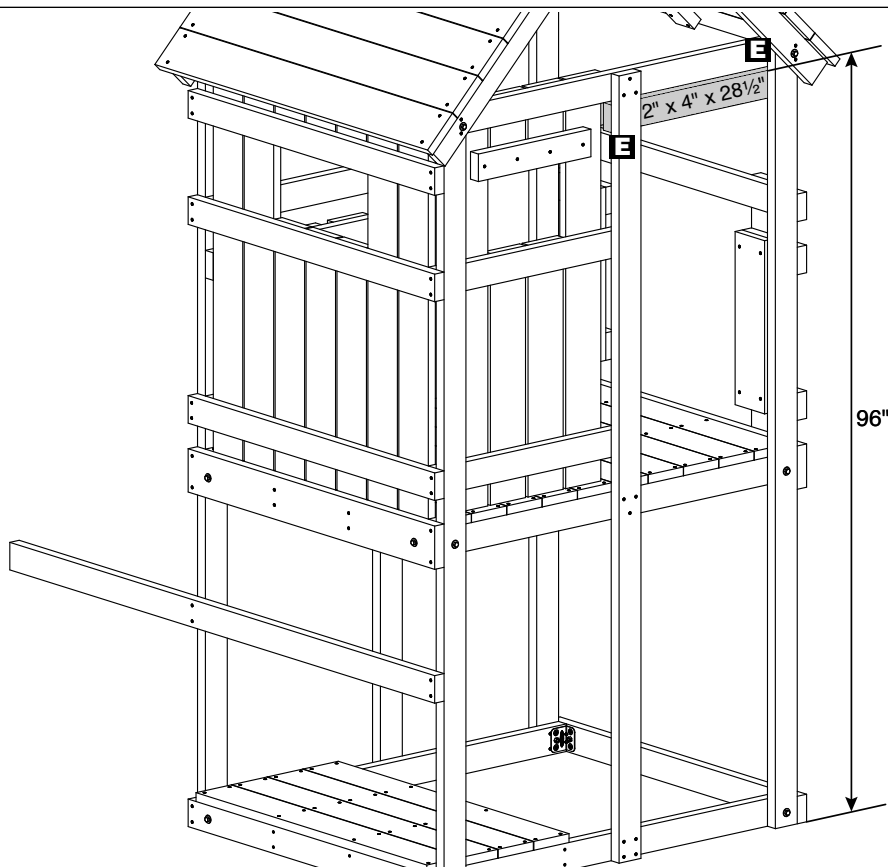
Caution: Gap between boards must be smaller than 1/4" or larger than 1/2" or a finger entrapment could exist.

SEE PAGE 6 FOR HOLE PATTERNS

Items for STEP 20:

- (1) 2" x 4" x 28 1/2" boards
- (6) #8 x 2 1/2" deck screws

Position 2" x 4" x 28 1/2" board at the dimensions shown. Secure with #8 x 2 1/2" deck screws.



TURN TO PAGE 53 FOR SWING STATION ASSEMBLY

CUTTING GUIDE - BRONZE

Before starting to build your Playset, make sure all boards are cut and identified by size. Stack identical size boards in neat piles.

(If you do not want to mark on lumber, use masking tape or chalk.)

This will improve your building time greatly because you will already know the size of each board as the instructions call for them.

5/4" x 6" x 8' - twenty (20) boards required

(13) boards	52"	44"
-------------	-----	-----

(3) boards	52"	22"	22"
------------	-----	-----	-----

(1) board	32"	32"	32"
-----------	-----	-----	-----

(1) board	22"	22"	21½"	10"	10"	8"
-----------	-----	-----	------	-----	-----	----

(2) boards	21½"	21½"	21½"	21½"
------------	------	------	------	------

2" x 6" x 10' - two (2) boards required

(2) boards	120"
------------	------

2" x 6" x 8' - one (1) boards required

(1) board	47"	47"
-----------	-----	-----

2" x 4" x 10' - five (5) boards required

(4) boards

100"	10½"	
------	------	--

(1) board

100"	
------	--

2" x 4" x 8' - twenty-nine (29) boards required

(8) boards

96"

(1) board

81"	
-----	--

(2) boards

72"	20½"	
-----	------	--

(2) boards

69"	25½"	
-----	------	--

(1) board

60"	32"	
-----	-----	--

(1) board

52"	41"	
-----	-----	--

(1) board

52"	37½"	
-----	------	--

(3) boards

47"	47"	
-----	-----	--

(5) boards

45½"	45½"	
------	------	--

(1) board

45½"	37½"	
------	------	--

(1) board

34"	34"	20½"	
-----	-----	------	--

(1) board

33½"	30½"	30½"	
------	------	------	--

(1) board

28½"	28½"	28½"	
------	------	------	--

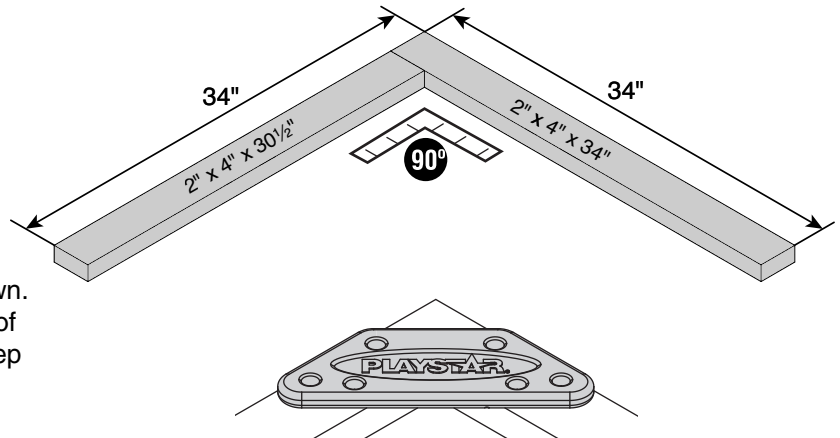
(1) board

28½"	28½"	
------	------	--

ROOF ASSEMBLY - BRONZE

Items for STEP 1:

- (2) 2" x 4" x 34" boards
- (2) 2" x 4" x 30½" boards
- (2) Roof Caps
- (12) #14 x 1¼" pan head screws



On a flat surface position boards together as shown. Position roof cap flush with outside edges. Use roof cap as a drill guide and drill 1/8" holes 1" deep. Keep boards square while attaching roof cap to boards with #14 x 1¼" pan head screws.

Repeat for second assembly.

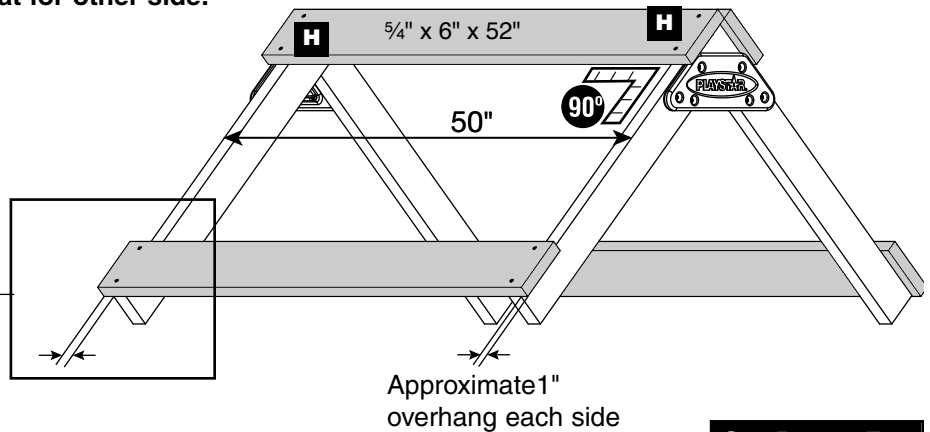
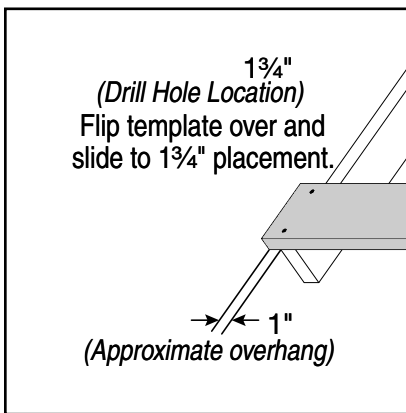
Items for STEP 2:

- (2) Step 1 Assemblies
- (4) 5/4" x 6" x 52" boards
- (16) #8 x 2½" deck screws

Hold assemblies 50" apart. Position boards flush at the top and bottom as shown.

Keep boards square and secure with #8 x 2½" deck screws.

Repeat for other side.



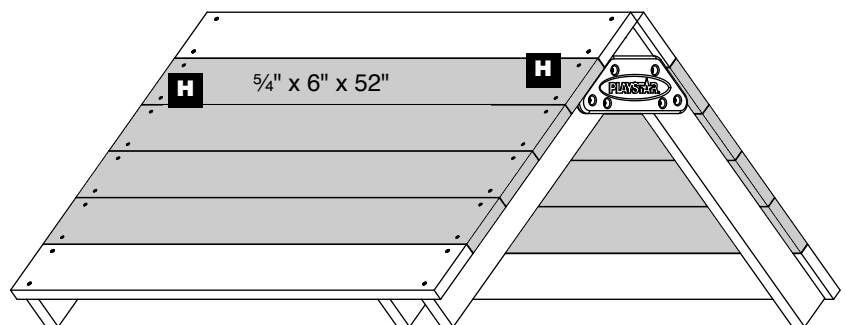
SEE PAGE 6 FOR HOLE PATTERNS

Items for STEP 3:

- (8) 5/4" x 6" x 52" boards
- (32) #8 x 2½" deck screws

Start at the top and attach boards between top and bottom boards as shown. Secure with #8 x 2½" deck screws.

Note: If the last board doesn't fit because the boards are oversized, remove the bottom board and reattach.



Repeat for other side.

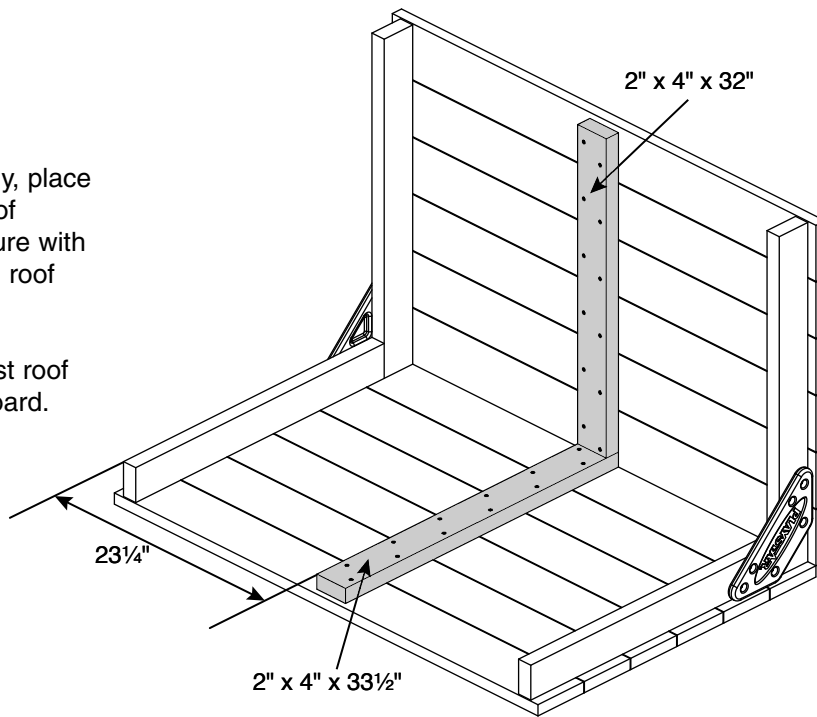
SEE PAGE 6 FOR HOLE PATTERNS

Items for STEP 4:

- (1) 2" x 4" x 33½" board
- (1) 2" x 4" x 32" board
- (24) #8 x 2½" deck screws

From the underside of roof assembly, place 2" x 4" x 33½" board flat against roof assembly centered as shown. Secure with two #8 x 2½" deck screws per each roof board.

Place 2" x 4" x 32" board flat against roof assembly and the 2" x 4" x 33½" board. Secure with #8 x 2½" deck screws.



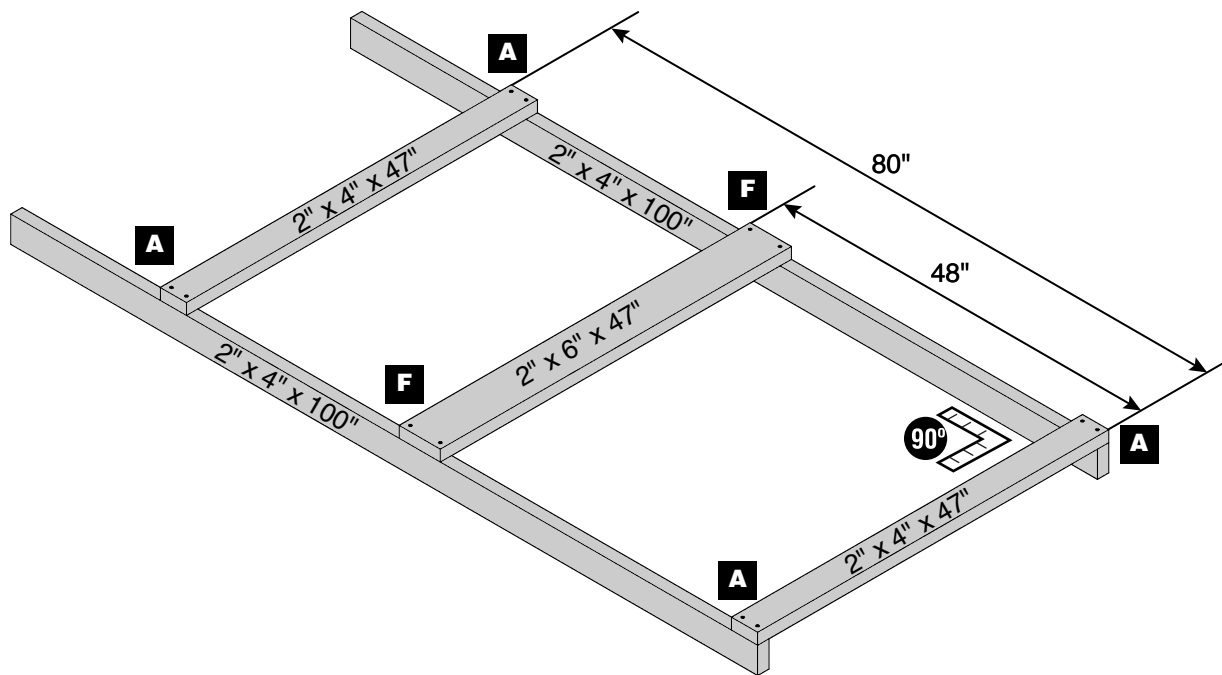
SEE PAGE 6 FOR
HOLE PATTERNS

TOWER ASSEMBLY - BRONZE

Items for STEP 5:

- (2) 2" x 4" x 100" boards
- (1) 2" x 6" x 47" board
- (2) 2" x 4" x 47" boards
- (12) #8 x 2½" deck screws

On a flat surface position boards at dimensions shown. Keep assembly square while securing with #8 x 2½" deck screws.

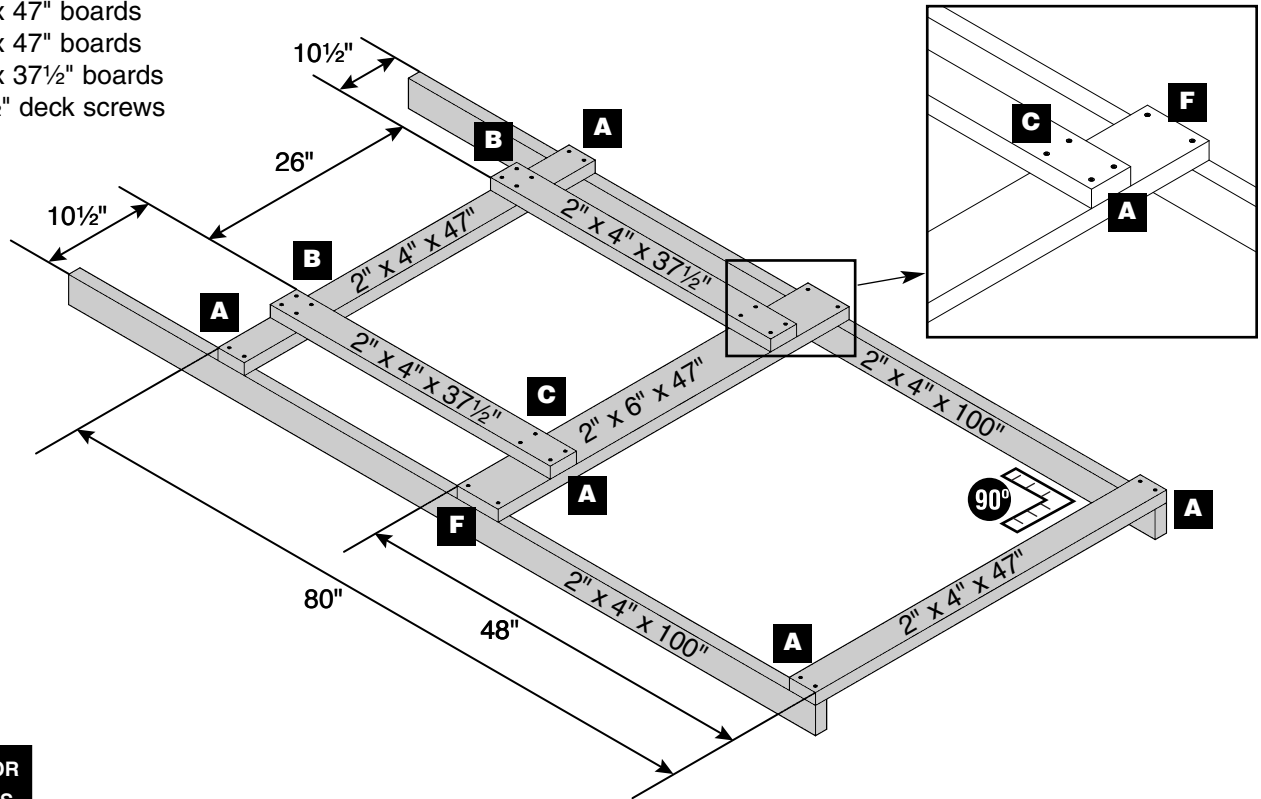


SEE PAGE 6 FOR
HOLE PATTERNS

Items for STEP 6:

- (2) 2" x 4" x 100" boards
- (1) 2" x 6" x 47" boards
- (2) 2" x 4" x 47" boards
- (2) 2" x 4" x 37½" boards
- (28) #8 x 2½" deck screws

On a flat surface position boards at dimensions shown. Keep assembly square while securing with #8 x 2½" deck screws.

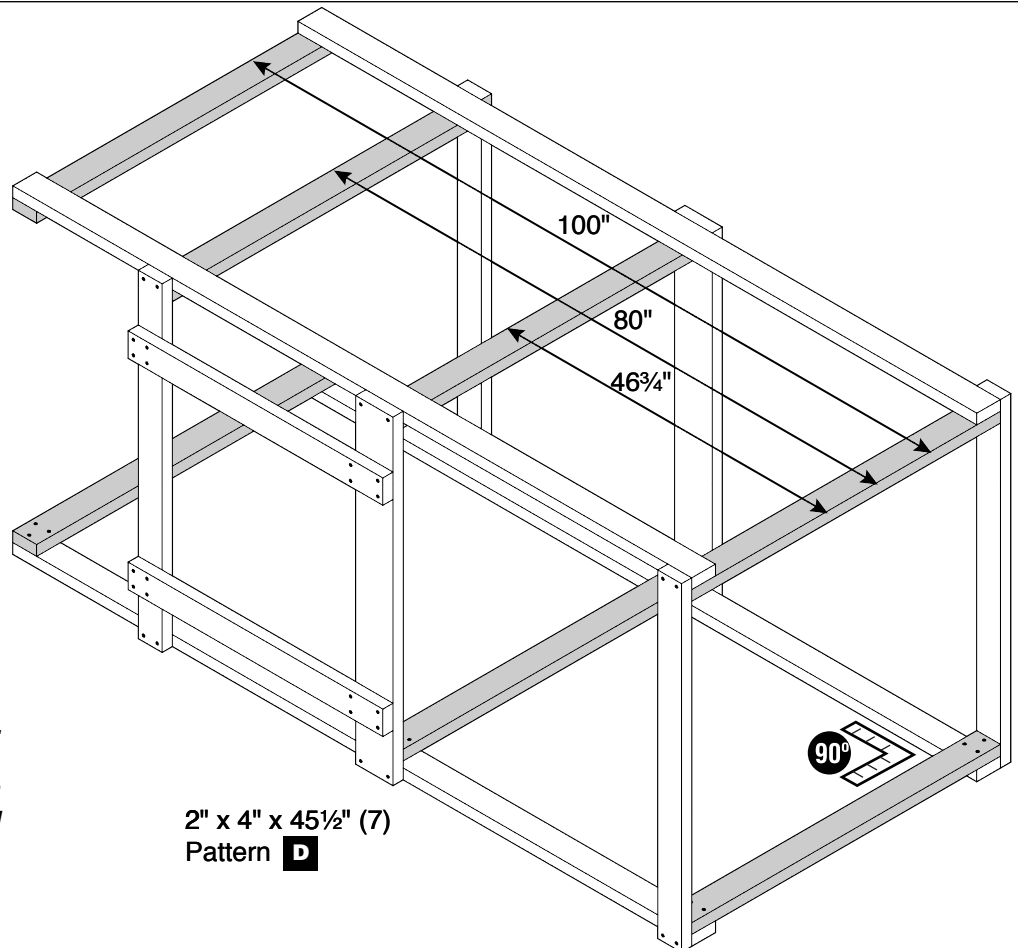


SEE PAGE 6 FOR HOLE PATTERNS

Items for STEP 7:

- (7) 2" x 4" x 45½" boards
- (42) #8 x 2½" deck screws

Position boards between assemblies as shown. Keep square while securing with #8 x 2½" deck screws.



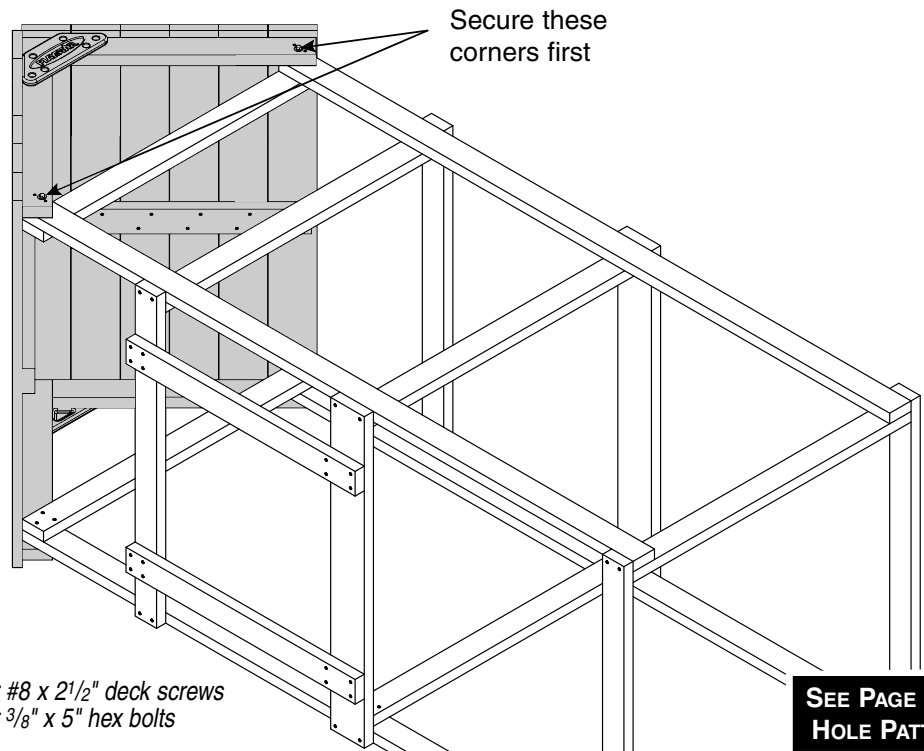
Note: *If you are using 2" x 6" lumber for your deck boards in place of 5/4" x 6" lumber, the 46¾" dimension must be 46½". The reason is 2" x 6" lumber is ¼" thicker than the 5/4" x 6" lumber called for in this plan.*

SEE PAGE 6 FOR HOLE PATTERNS

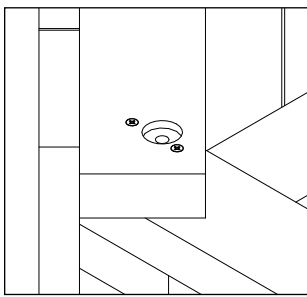
Items for STEP 8:

- (1) Roof Assembly
- (2) 3/8" x 5" hex bolts
- (4) 3/8" washers
- (2) 3/8" lock nuts
- (4) #8 x 2 1/2" deck screws

Position roof assembly so both sides of roof overhang 2" x 4" boards equally. Secure top corners with two #8 x 2 1/2" deck screws, 3/8" x 5" hex bolt, 3/8" washers and 3/8" lock nuts. If lumber is oversized, counterboring may be required. Drill 1 1/8" counterbore 1/4" deep. (See Counterbore & Screw Placement Detail below)



Counterbore & Screw Placement Detail



Predrill –
 1/8" Dia. for #8 x 2 1/2" deck screws
 3/8" Dia. for 3/8" x 5" hex bolts

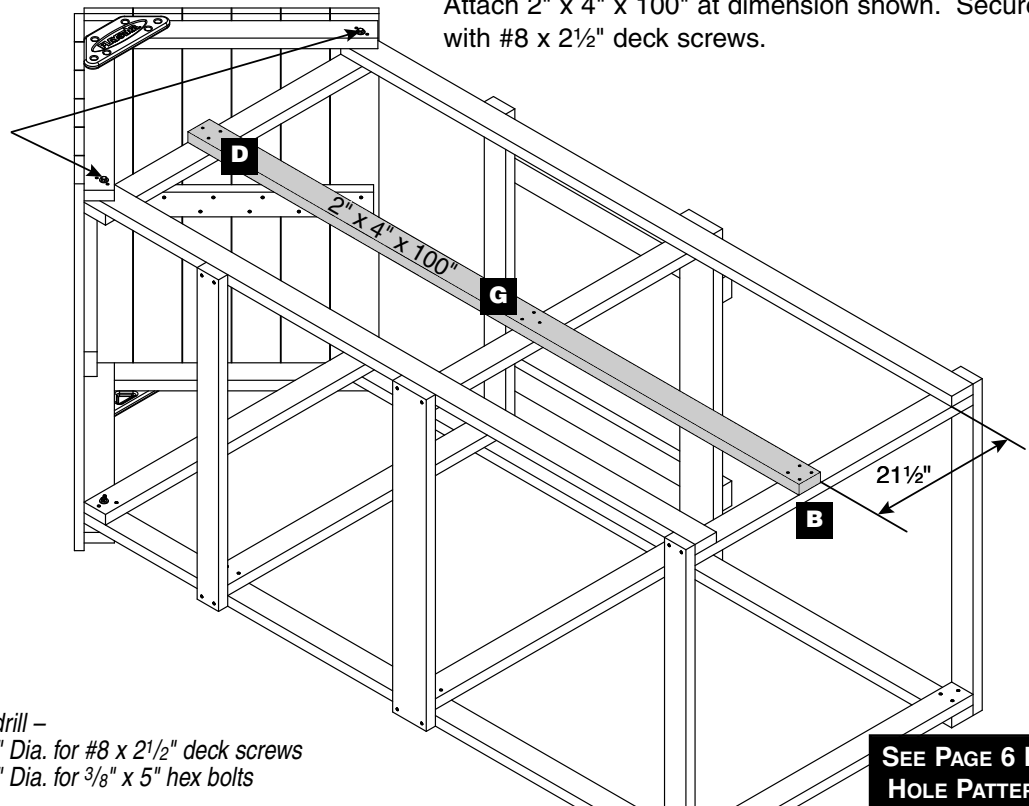
Items for STEP 9:

- (2) 3/8" x 5" hex bolts
- (1) 2" x 4" x 100" board
- (4) 3/8" washers
- (2) 3/8" lock nuts
- (14) #8 x 2 1/2" deck screws

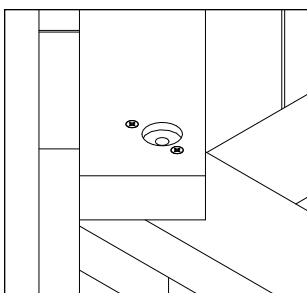
Rotate tower 180° as shown. Verify the unattached side of the roof overhangs the 2" x 4" boards equally. Secure the other two corners with #8 x 2 1/2" deck screws, 3/8" x 5" hex bolt, 3/8" washers and 3/8" lock nuts. If lumber is oversized, counterboring may be required. Drill 1 1/8" counterbore 1/4" deep. (See Counterbore & Screw Placement Detail below)

Attach 2" x 4" x 100" at dimension shown. Secure with #8 x 2 1/2" deck screws.

Secure these corners



Counterbore & Screw Placement Detail



Predrill –
 1/8" Dia. for #8 x 2 1/2" deck screws
 3/8" Dia. for 3/8" x 5" hex bolts

Items for **STEP 10:**

- (8) Corner Brackets
- (8) $\frac{3}{8}$ " x $3\frac{1}{2}$ " hex bolts
- (8) $\frac{3}{8}$ " x 2" hex bolts
- (16) $\frac{3}{8}$ " washers
- (16) $\frac{3}{8}$ " lock nuts
- (32) #8 x $1\frac{1}{4}$ " deck screws

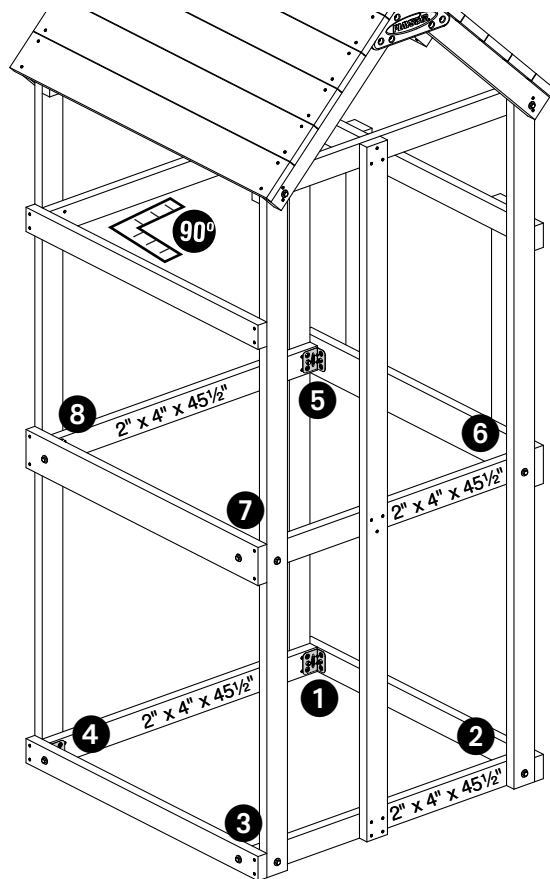
Lift tower assembly upright and position in desired location.

Caution: *Make sure tower remains square. Ground must be level. Installation on a hill or incline will create unsafe conditions.*

Position brackets so that the long sides are against the 2" x 4" x $45\frac{1}{2}$ " boards.

Use the bracket as a drill guide and drill $\frac{1}{8}$ " holes 1" deep into the boards. Attach with #8 x $1\frac{1}{4}$ " deck screws.

Use bracket as a drill guide and drill $\frac{3}{8}$ " holes completely through the boards. Secure with $\frac{3}{8}$ " hex bolts (2" through one board and $3\frac{1}{2}$ " through two boards), $\frac{3}{8}$ " washers and $\frac{3}{8}$ " lock nuts.



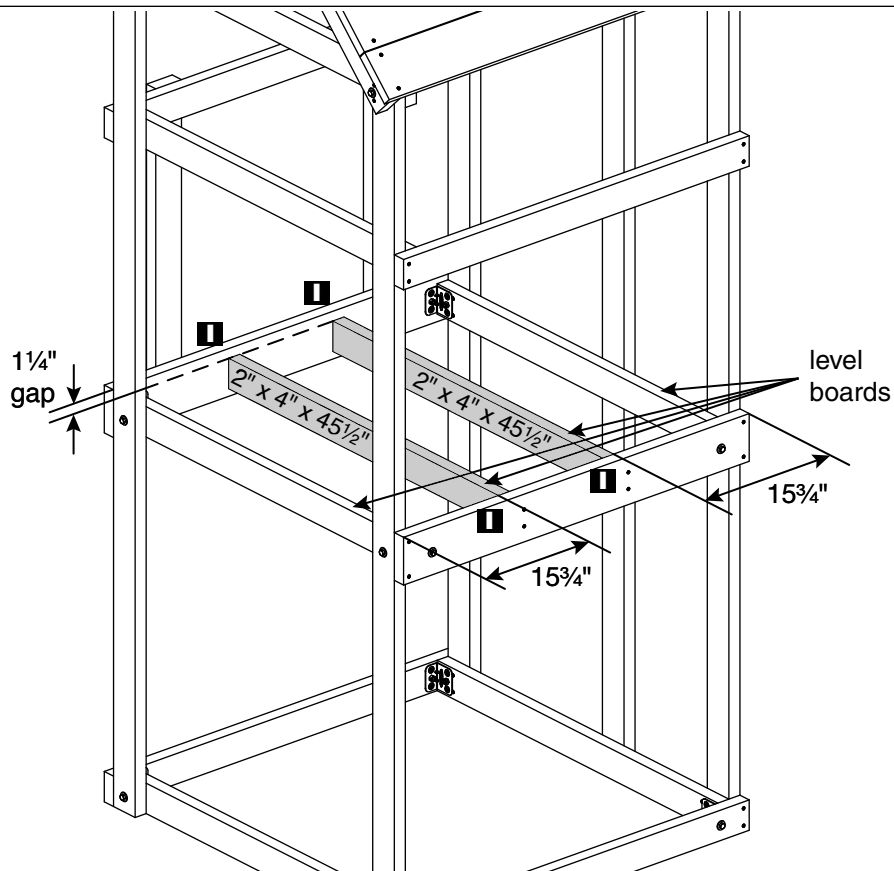
**SEE PAGE 7 FOR
CORNER BRACKETS**

Items for **STEP 11:**

- (2) 2" x 4" x $45\frac{1}{2}$ " boards
- (8) #8 x $2\frac{1}{2}$ " deck screws

Position boards at the dimensions shown.

Secure with #8 x $2\frac{1}{2}$ " deck screws.



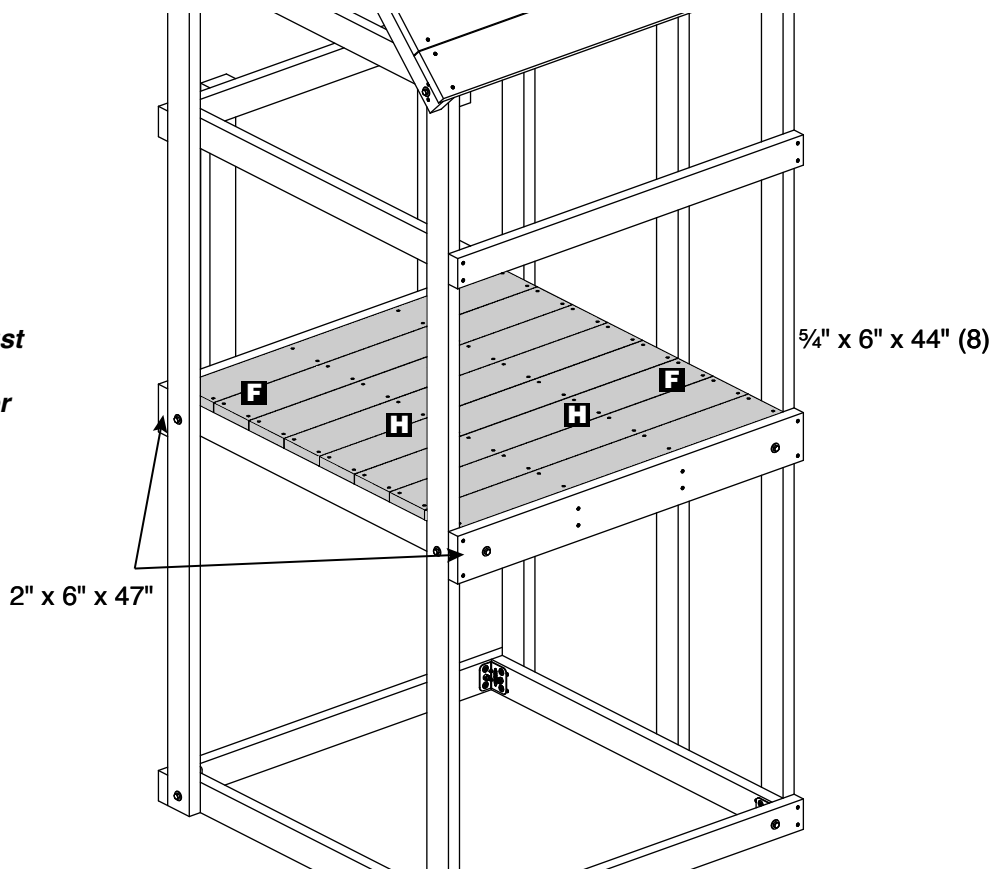
**SEE PAGE 6 FOR
HOLE PATTERNS**

Items for STEP 12:

- (8) 5/4" x 6" x 44" boards
- (64) #8 x 2 1/2" deck screws

Position outside boards tight against the 2" x 6" x 47" boards and equally space remaining boards as shown. Secure with #8 x 2 1/2" deck screws.

Caution: Gap between boards must be smaller than 1/4" or larger than 1/2" or a finger entrapment could exist.

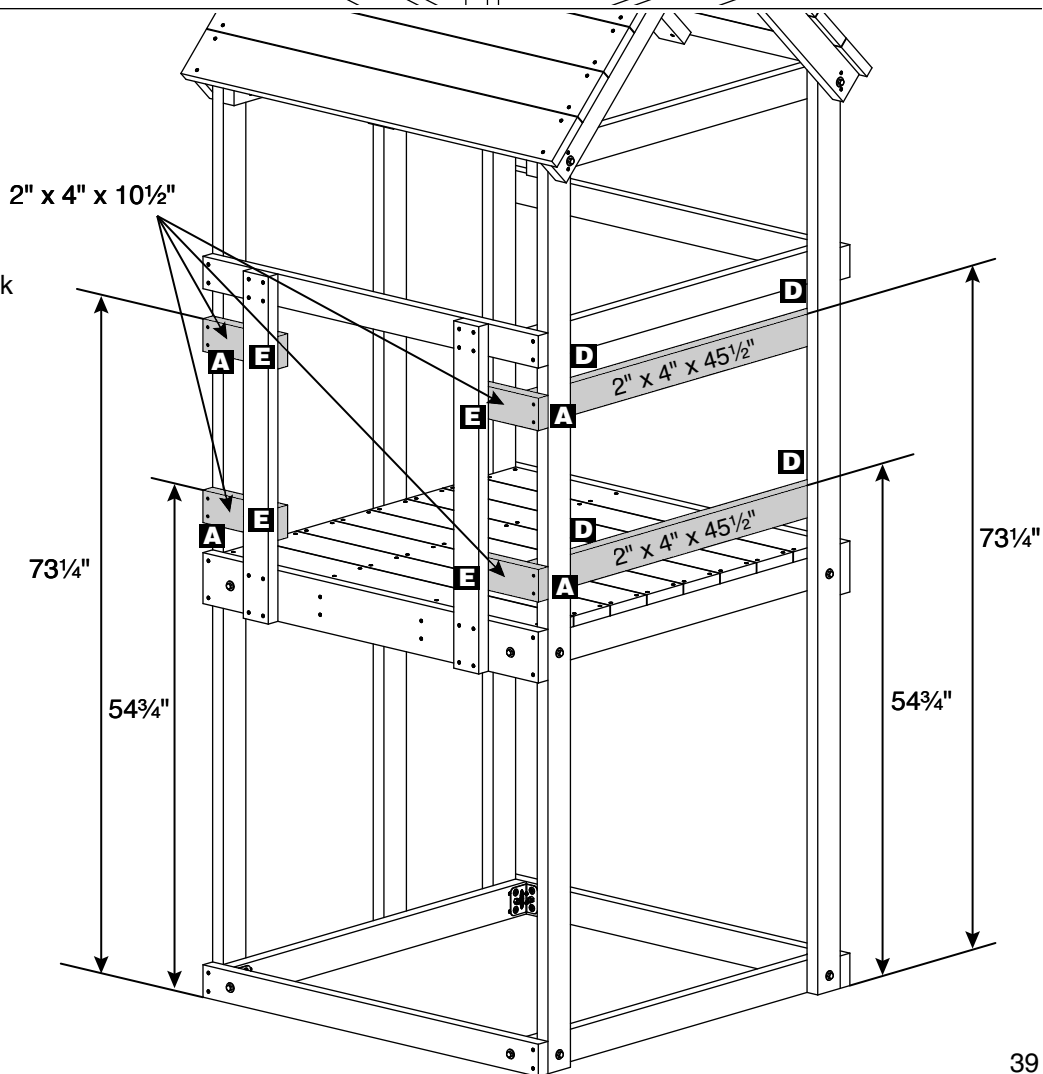


SEE PAGE 6 FOR HOLE PATTERNS

Items for STEP 13:

- (2) 2" x 4" x 45 1/2" boards
- (4) 2" x 4" x 10 1/2" boards
- (32) #8 x 2 1/2" deck screws

Position boards at dimensions shown. Secure with #8 x 2 1/2" deck screws.

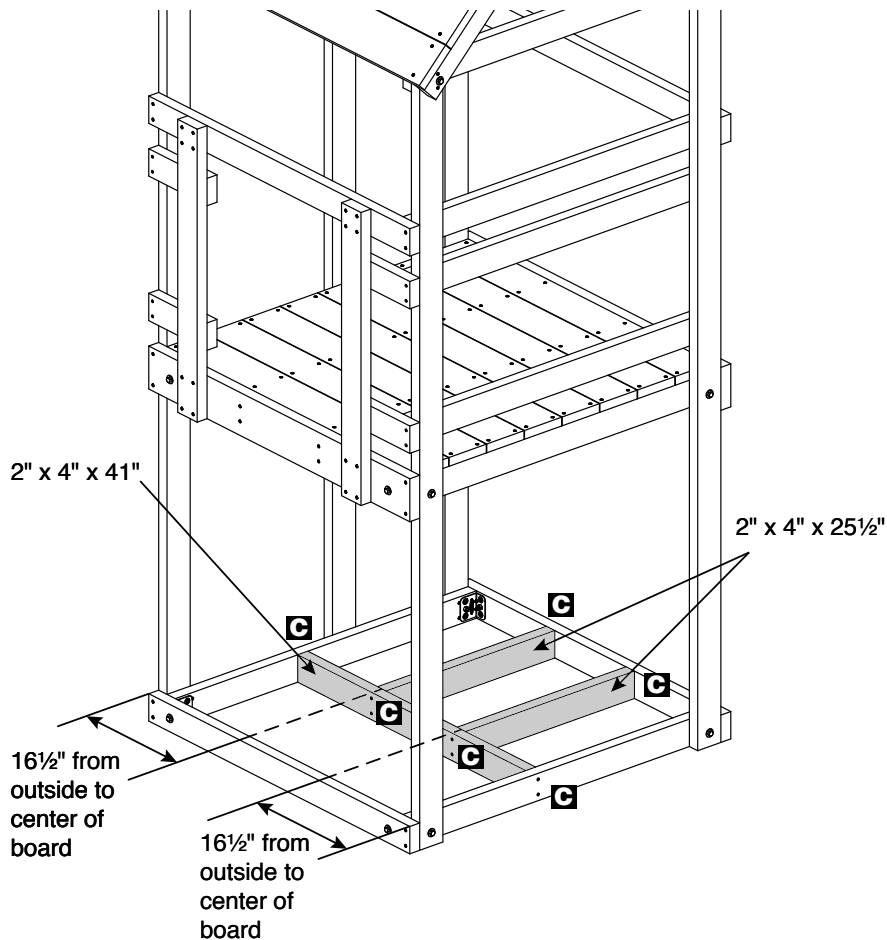


SEE PAGE 6 FOR HOLE PATTERNS

Items for **STEP 14:**

- (1) 2" x 4" x 41" board
- (2) 2" x 4" x 25½" boards
- (12) #8 x 2½" deck screws

Position boards at dimensions shown. Secure with #8 x 2½" deck screws.



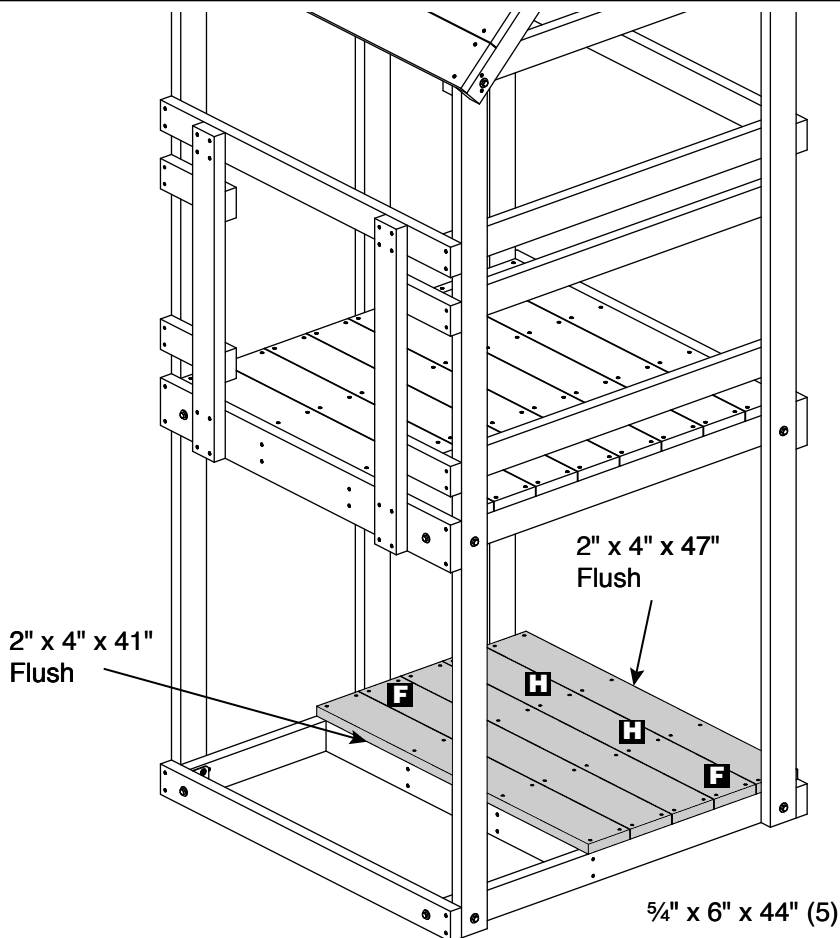
**SEE PAGE 6 FOR
HOLE PATTERNS**

Items for **STEP 15:**

- (5) 5/4" x 6" x 44" boards
- (40) #8 x 2½" deck screws

Position end boards flush with 2" x 4" boards. Space remaining boards as shown. Secure with #8 x 2½" deck screws.

Caution: *Gap between boards must be smaller than ¼" or larger than ½" or a finger entrapment could exist.*



**SEE PAGE 6 FOR
HOLE PATTERNS**

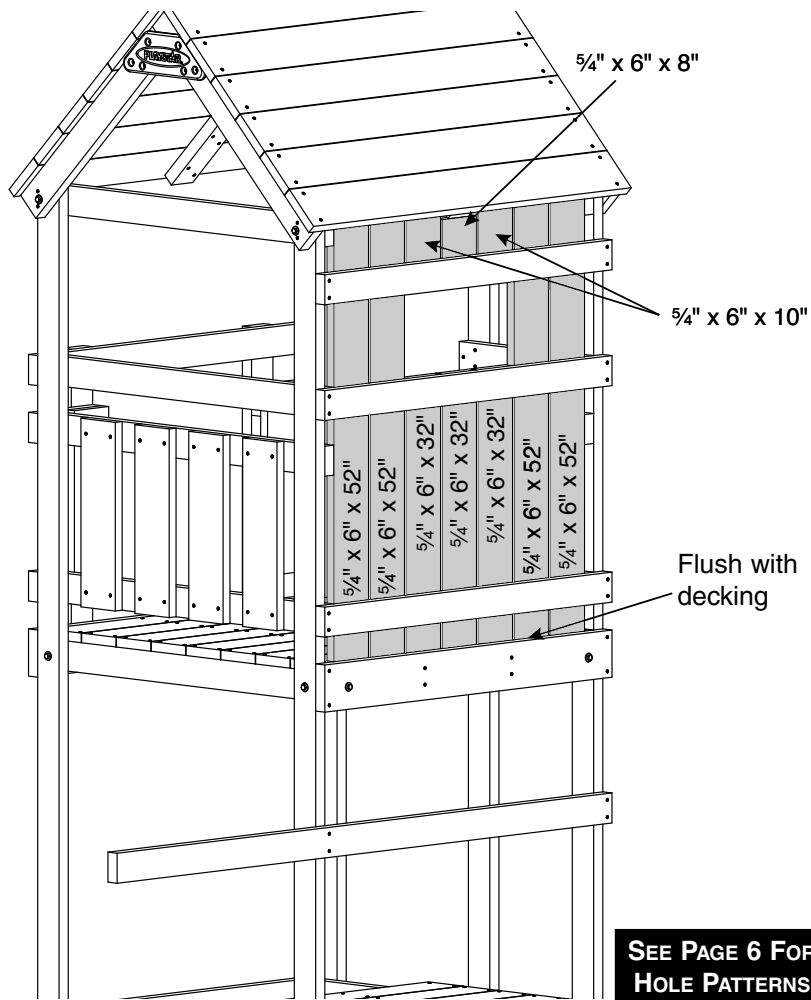
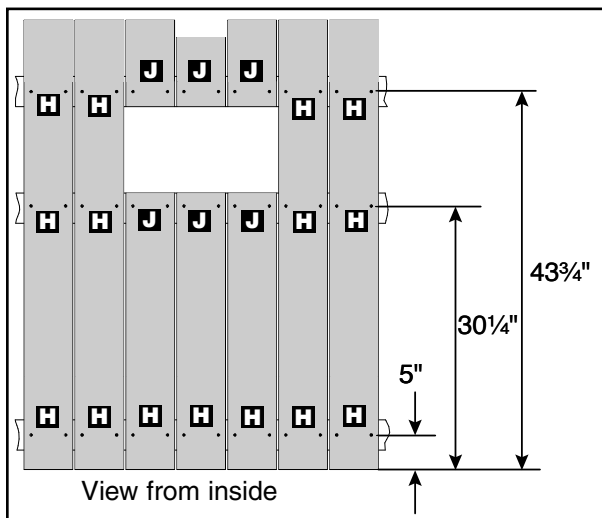
5/4" x 6" x 44" (5)

Items for STEP 18:

- (4) 5/4" x 6" x 52" boards
- (3) 5/4" x 6" x 32" boards
- (2) 5/4" x 6" x 10" boards
- (1) 5/4" x 6" x 8" board
- (42) #8 x 2 1/2" deck screws

Position 5/4" x 6" boards on the inside of the tower flush with the top and bottom guardrail boards and equally spaced. Secure with #8 x 2 1/2" deck screws.

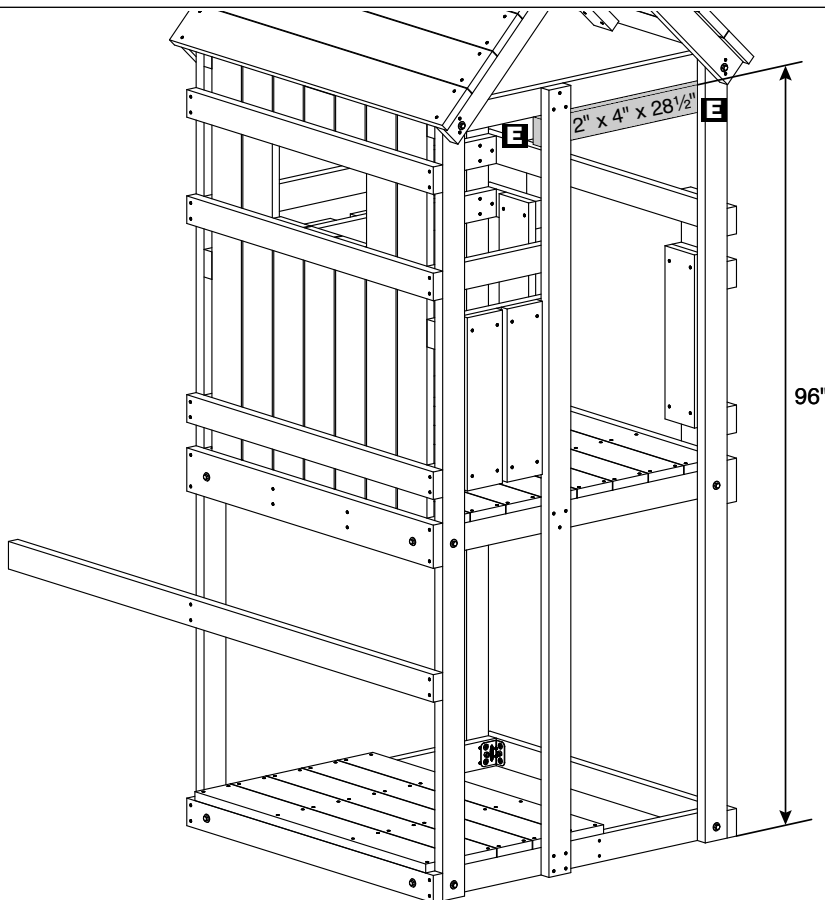
Caution: Gap between boards must be smaller than 1/4" or larger than 1/2" or a finger entrapment could exist.



Items for STEP 20:

- (1) 2" x 4" x 28 1/2" boards
- (6) #8 x 2 1/2" deck screws

Position 2" x 4" x 28 1/2" board at the dimensions shown. Secure with #8 x 2 1/2" deck screws.



TURN TO PAGE 53 FOR SWING STATION ASSEMBLY

SEE PAGE 6 FOR HOLE PATTERNS

CUTTING GUIDE - STARTER

Before starting to build your Playset, make sure all boards are cut and identified by size. Stack identical size boards in neat piles.

(If you do not want to mark on lumber, use masking tape or chalk.)

This will improve your building time greatly because you will already know the size of each board as the instructions call for them.

5/4" x 6" x 8' - sixteen (16) boards required

(9) boards	52"	44"
------------	-----	-----

(2) boards	52"	22"	22"
------------	-----	-----	-----

(1) board	52"	22"	21½"
-----------	-----	-----	------

(2) boards	22"	22"	22"	22"	
------------	-----	-----	-----	-----	--

(2) boards	21½"	21½"	21½"	21½"	
------------	------	------	------	------	--

2" x 6" x 10' - two (2) boards required

(2) boards	120"
------------	------

2" x 6" x 8' - one (1) boards required

(1) board	47"	47"
-----------	-----	-----

2" x 4" x 10' - five (5) boards required

(4) boards

100"	10½"	
------	------	--

(1) board

100"	
------	--

2" x 4" x 8' - twenty-eight (28) boards required

(8) boards

96"

(1) board

81"	
-----	--

(2) boards

72"	20½"	
-----	------	--

(1) board

69"	20½"	
-----	------	--

(1) board

69"	
-----	--

(1) board

60"	32"	
-----	-----	--

(2) boards

52"	37½"	
-----	------	--

(3) boards

47"	47"	
-----	-----	--

(5) boards

45½"	45½"	
------	------	--

(1) board

45½"	33½"	
------	------	--

(2) boards

34"	30½"	28½"	
-----	------	------	--

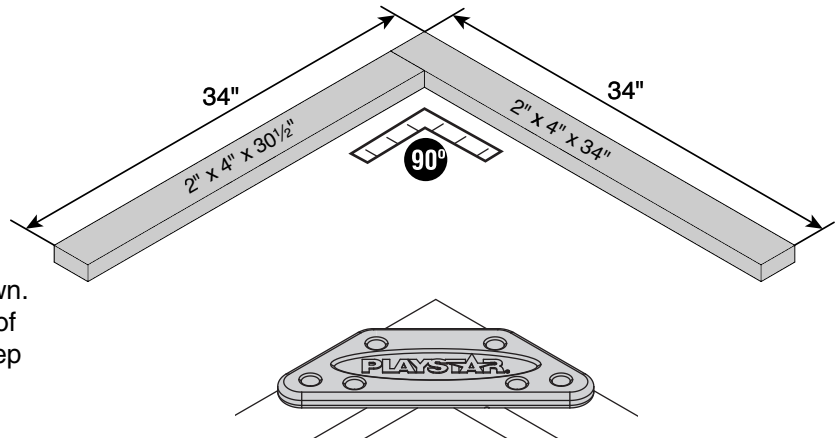
(1) board

28½"	28½"	28½"	
------	------	------	--

ROOF ASSEMBLY - Starter

Items for STEP 1:

- (2) 2" x 4" x 34" boards
- (2) 2" x 4" x 30½" boards
- (2) Roof Caps
- (12) #14 x 1¼" pan head screws



On a flat surface position boards together as shown. Position roof cap flush with outside edges. Use roof cap as a drill guide and drill ⅛" holes 1" deep. Keep boards square while attaching roof cap to boards with #14 x 1¼" pan head screws.

Repeat for second assembly.

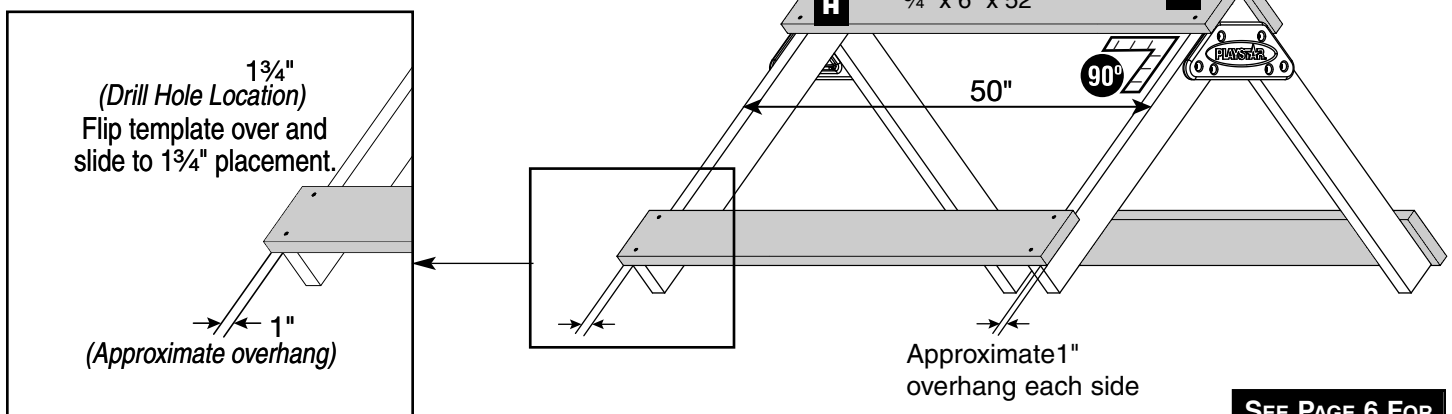
Items for STEP 2:

- (2) Step 1 Assemblies
- (4) 5/4" x 6" x 52" boards
- (16) #8 x 2½" deck screws

Hold assemblies 50" apart. Position boards flush at the top and bottom as shown.

Keep boards square and secure with #8 x 2½" deck screws.

Repeat for other side.



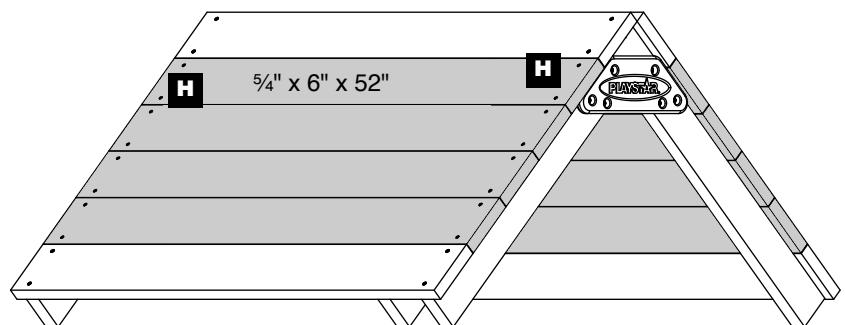
SEE PAGE 6 FOR HOLE PATTERNS

Items for STEP 3:

- (8) 5/4" x 6" x 52" boards
- (32) #8 x 2½" deck screws

Start at the top and attach boards between top and bottom boards as shown. Secure with #8 x 2½" deck screws.

Note: If the last board doesn't fit because the boards are oversized, remove the bottom board and reattach.



Repeat for other side.

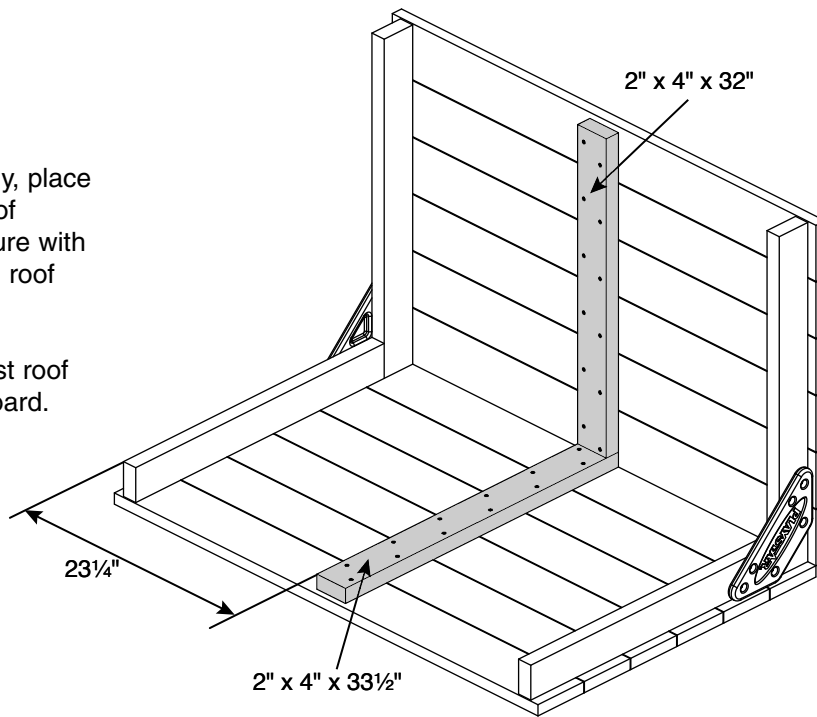
SEE PAGE 6 FOR HOLE PATTERNS

Items for STEP 4:

- (1) 2" x 4" x 33½" board
- (1) 2" x 4" x 32" board
- (24) #8 x 2½" deck screws

From the underside of roof assembly, place 2" x 4" x 33½" board flat against roof assembly centered as shown. Secure with two #8 x 2½" deck screws per each roof board.

Place 2" x 4" x 32" board flat against roof assembly and the 2" x 4" x 33½" board. Secure with #8 x 2½" deck screws.



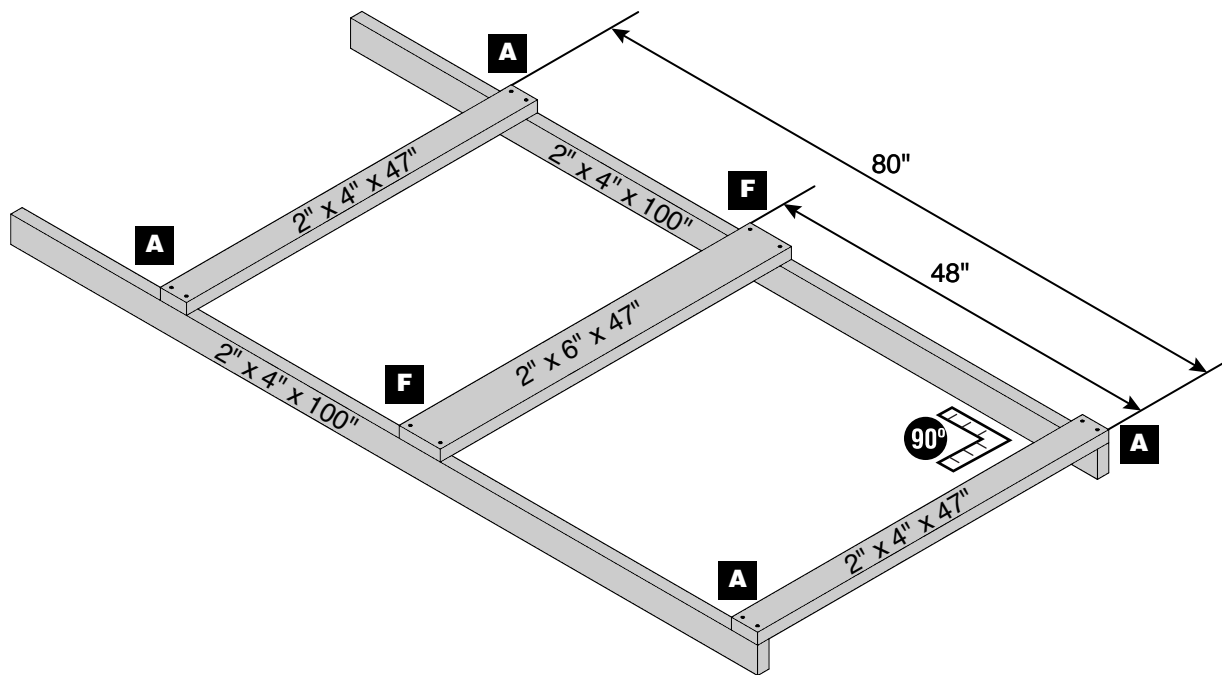
SEE PAGE 6 FOR
HOLE PATTERNS

TOWER ASSEMBLY - Starter

Items for STEP 5:

- (2) 2" x 4" x 100" boards
- (1) 2" x 6" x 47" board
- (2) 2" x 4" x 47" boards
- (12) #8 x 2½" deck screws

On a flat surface position boards at dimensions shown. Keep assembly square while securing with #8 x 2½" deck screws.

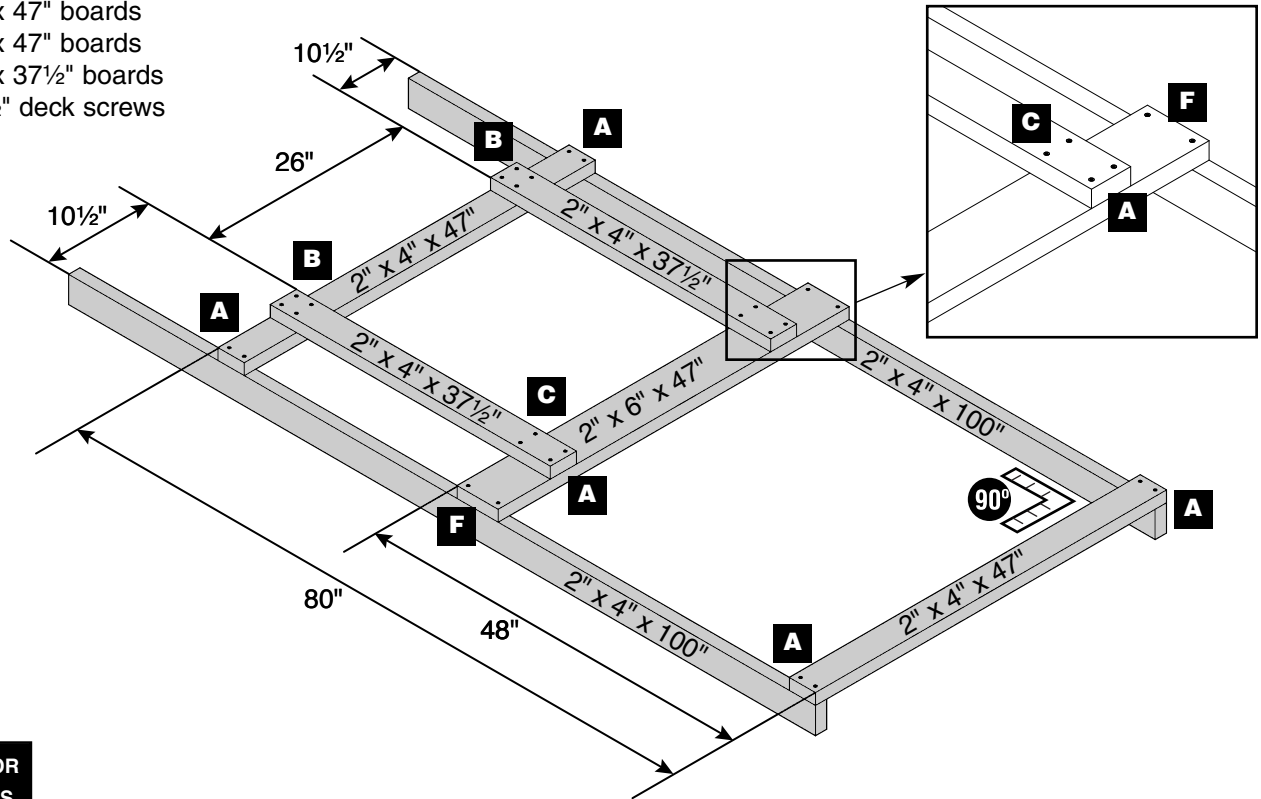


SEE PAGE 6 FOR
HOLE PATTERNS

Items for STEP 6:

- (2) 2" x 4" x 100" boards
- (1) 2" x 6" x 47" boards
- (2) 2" x 4" x 47" boards
- (2) 2" x 4" x 37½" boards
- (28) #8 x 2½" deck screws

On a flat surface position boards at dimensions shown. Keep assembly square while securing with #8 x 2½" deck screws.

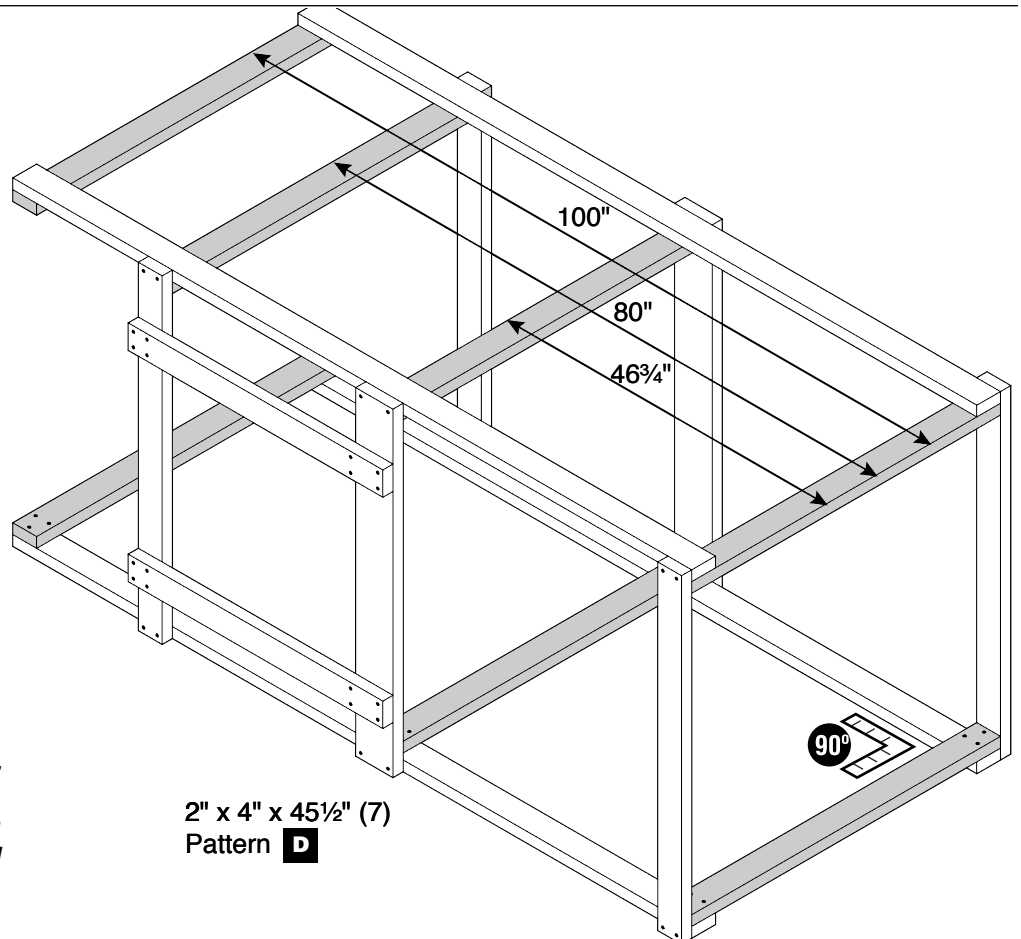


SEE PAGE 6 FOR HOLE PATTERNS

Items for STEP 7:

- (7) 2" x 4" x 45½" boards
- (42) #8 x 2½" deck screws

Position boards between assemblies as shown. Keep square while securing with #8 x 2½" deck screws.



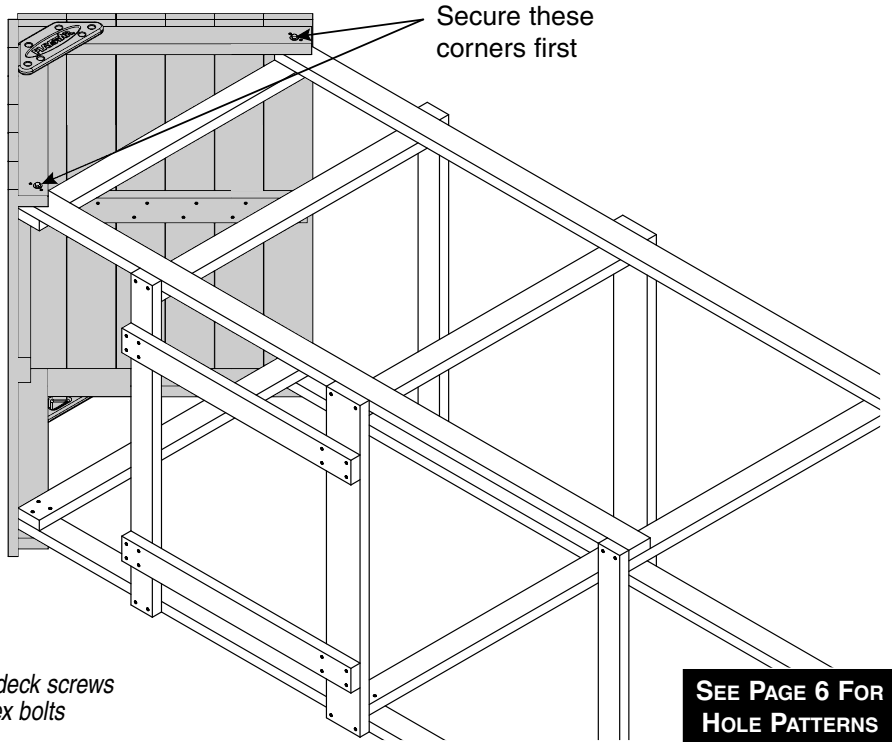
Note: If you are using 2" x 6" lumber for your deck boards in place of 5/4" x 6" lumber, the 46¾" dimension must be 46½". The reason is 2" x 6" lumber is ¼" thicker than the 5/4" x 6" lumber called for in this plan.

SEE PAGE 6 FOR HOLE PATTERNS

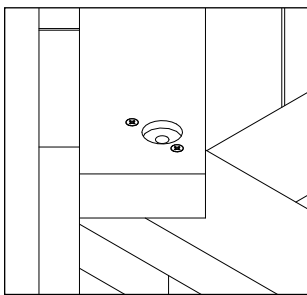
Items for STEP 8:

- (1) Roof Assembly
- (2) 3/8" x 5" hex bolts
- (4) 3/8" washers
- (2) 3/8" lock nuts
- (4) #8 x 2 1/2" deck screws

Position roof assembly so both sides of roof overhang 2" x 4" boards equally. Secure top corners with two #8 x 2 1/2" deck screws, 3/8" x 5" hex bolt, 3/8" washers and 3/8" lock nuts. If lumber is oversized, counterboring may be required. Drill 1 1/8" counterbore 1/4" deep. (See Counterbore & Screw Placement Detail below)



Counterbore & Screw Placement Detail



Predrill –
 1/8" Dia. for #8 x 2 1/2" deck screws
 3/8" Dia. for 3/8" x 5" hex bolts

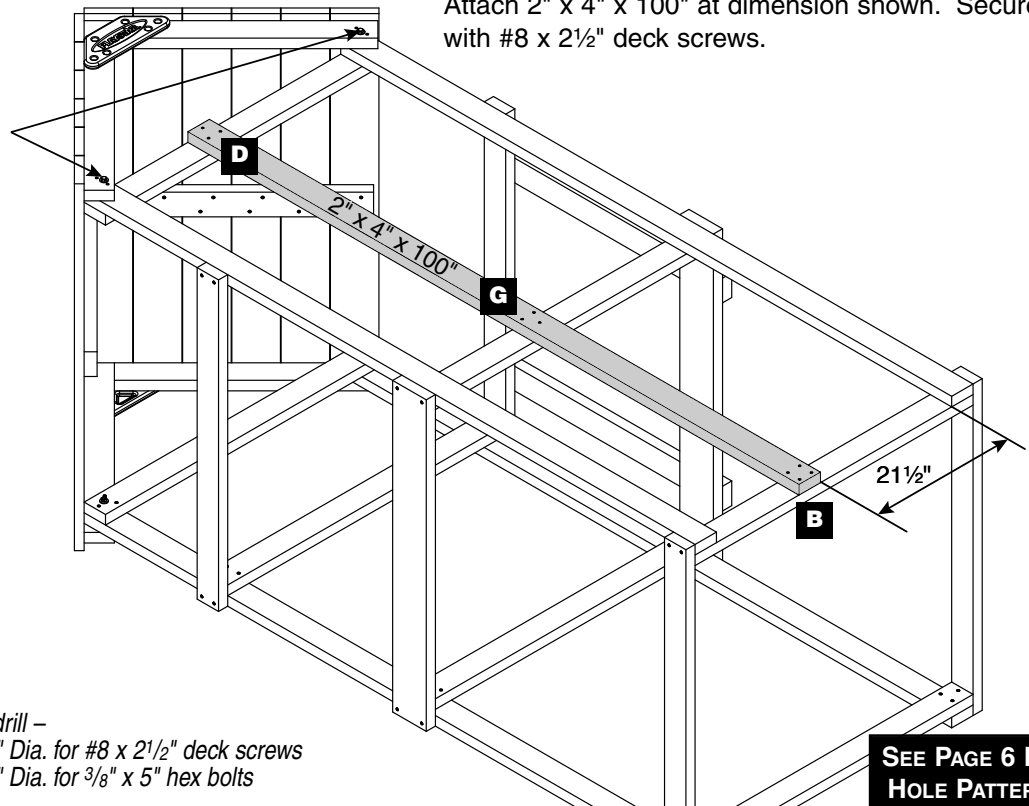
Items for STEP 9:

- (2) 3/8" x 5" hex bolts
- (1) 2" x 4" x 100" board
- (4) 3/8" washers
- (2) 3/8" lock nuts
- (14) #8 x 2 1/2" deck screws

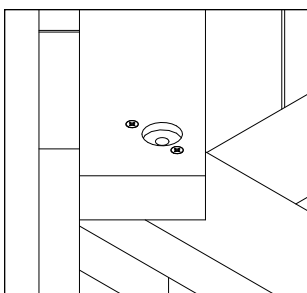
Rotate tower 180° as shown. Verify the unattached side of the roof overhangs the 2" x 4" boards equally. Secure the other two corners with #8 x 2 1/2" deck screws, 3/8" x 5" hex bolt, 3/8" washers and 3/8" lock nuts. If lumber is oversized, counterboring may be required. Drill 1 1/8" counterbore 1/4" deep. (See Counterbore & Screw Placement Detail below)

Attach 2" x 4" x 100" at dimension shown. Secure with #8 x 2 1/2" deck screws.

Secure these corners



Counterbore & Screw Placement Detail



Predrill –
 1/8" Dia. for #8 x 2 1/2" deck screws
 3/8" Dia. for 3/8" x 5" hex bolts

Items for STEP 10:

- (8) Corner Brackets
- (8) $\frac{3}{8}$ " x $3\frac{1}{2}$ " hex bolts
- (8) $\frac{3}{8}$ " x 2" hex bolts
- (16) $\frac{3}{8}$ " washers
- (16) $\frac{3}{8}$ " lock nuts
- (32) #8 x $1\frac{1}{4}$ " deck screws

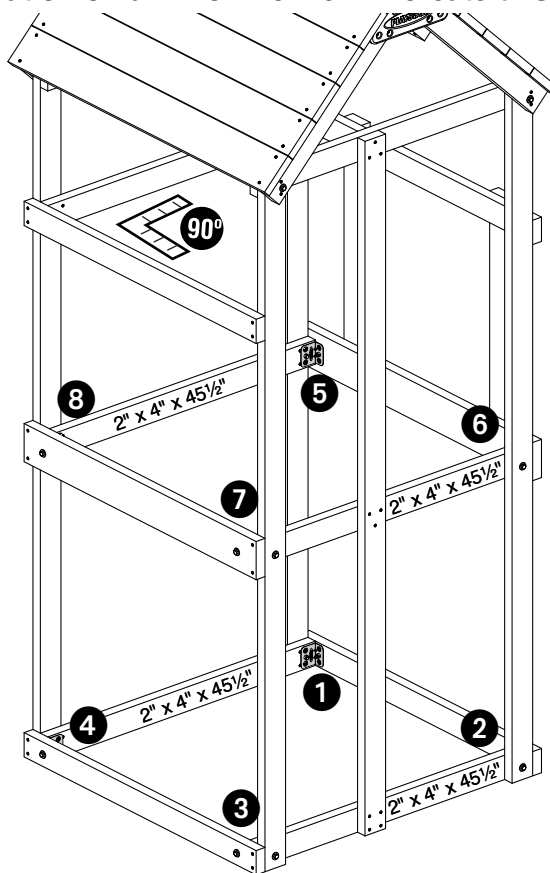
Lift tower assembly upright and position in desired location.

Caution: Make sure tower remains square. Ground must be level. Installation on a hill or incline will create unsafe conditions.

Position brackets so that the long sides are against the 2" x 4" x $45\frac{1}{2}$ " boards.

Use the bracket as a drill guide and drill $\frac{1}{8}$ " holes 1" deep into the boards. Attach with #8 x $1\frac{1}{4}$ " deck screws.

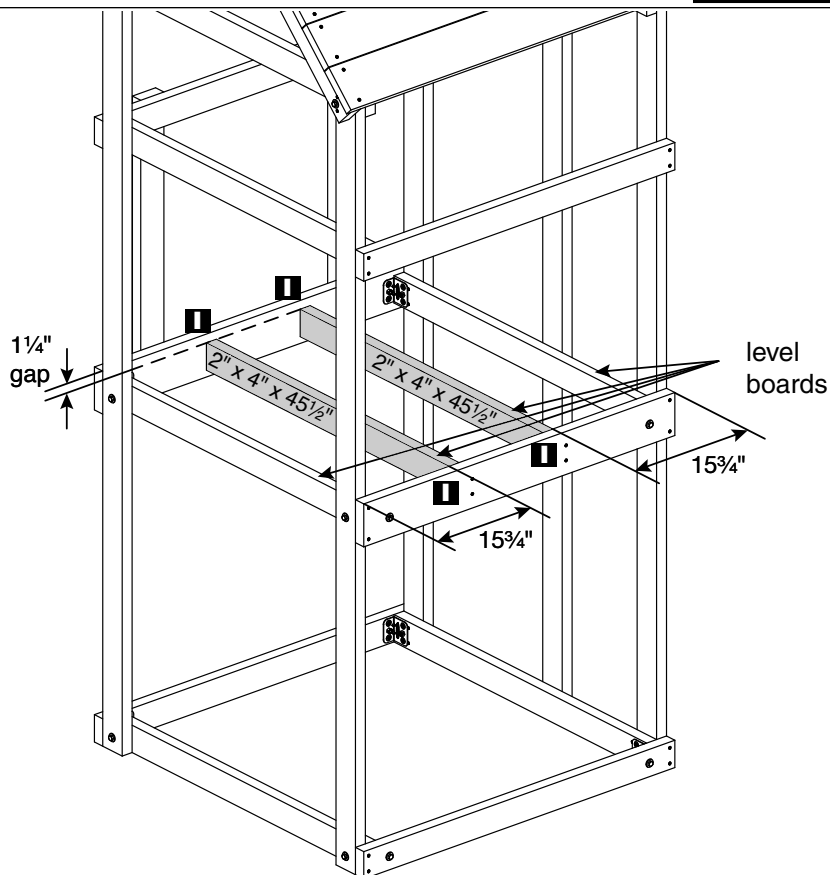
Use bracket as a drill guide and drill $\frac{3}{8}$ " holes completely through the boards. Secure with $\frac{3}{8}$ " hex bolts (2" through one board and $3\frac{1}{2}$ " through two boards), $\frac{3}{8}$ " washers and $\frac{3}{8}$ " lock nuts.



Items for STEP 11:

- (2) 2" x 4" x $45\frac{1}{2}$ " boards
- (8) #8 x $2\frac{1}{2}$ " deck screws

Position boards at the dimensions shown. Secure with #8 x $2\frac{1}{2}$ " deck screws.

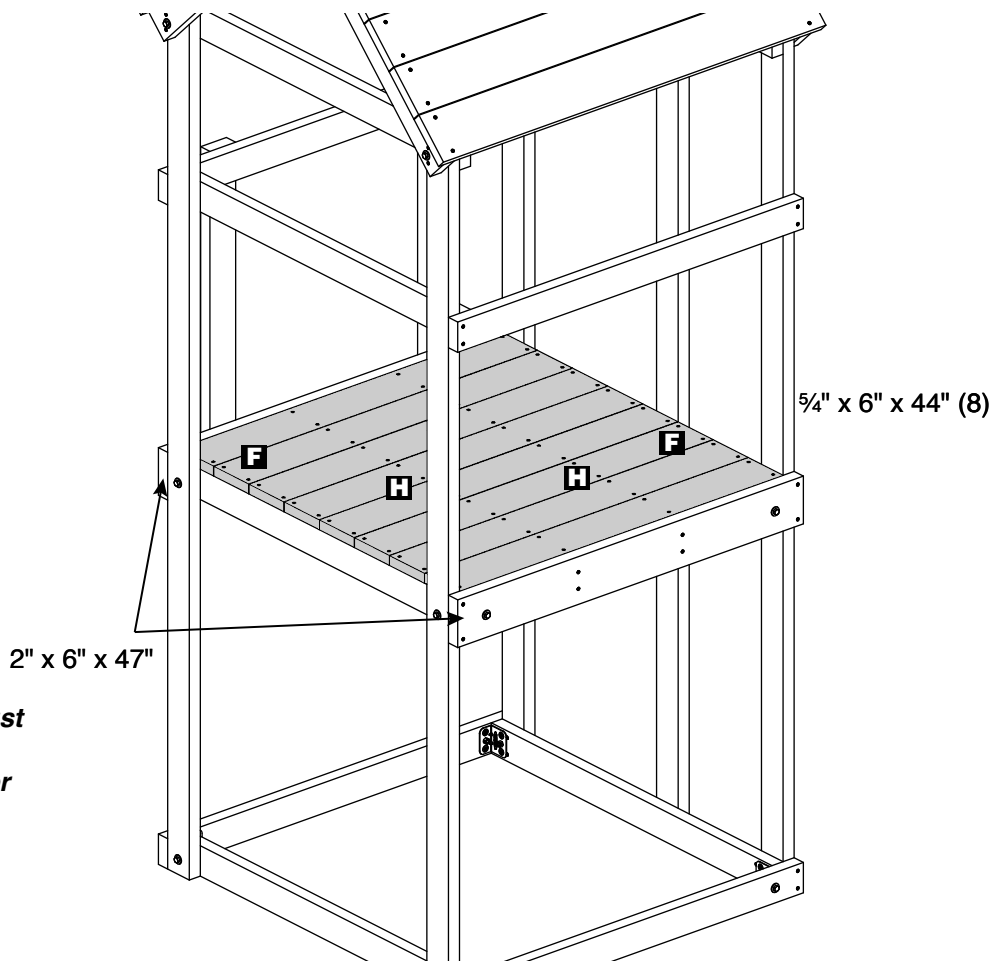


SEE PAGE 6 FOR
HOLE PATTERNS

Items for STEP 12:

- (8) 5/4" x 6" x 44" boards
- (64) #8 x 2 1/2" deck screws

Position outside boards tight against the 2" x 6" x 47" boards and equally space remaining boards as shown. Secure with #8 x 2 1/2" deck screws.



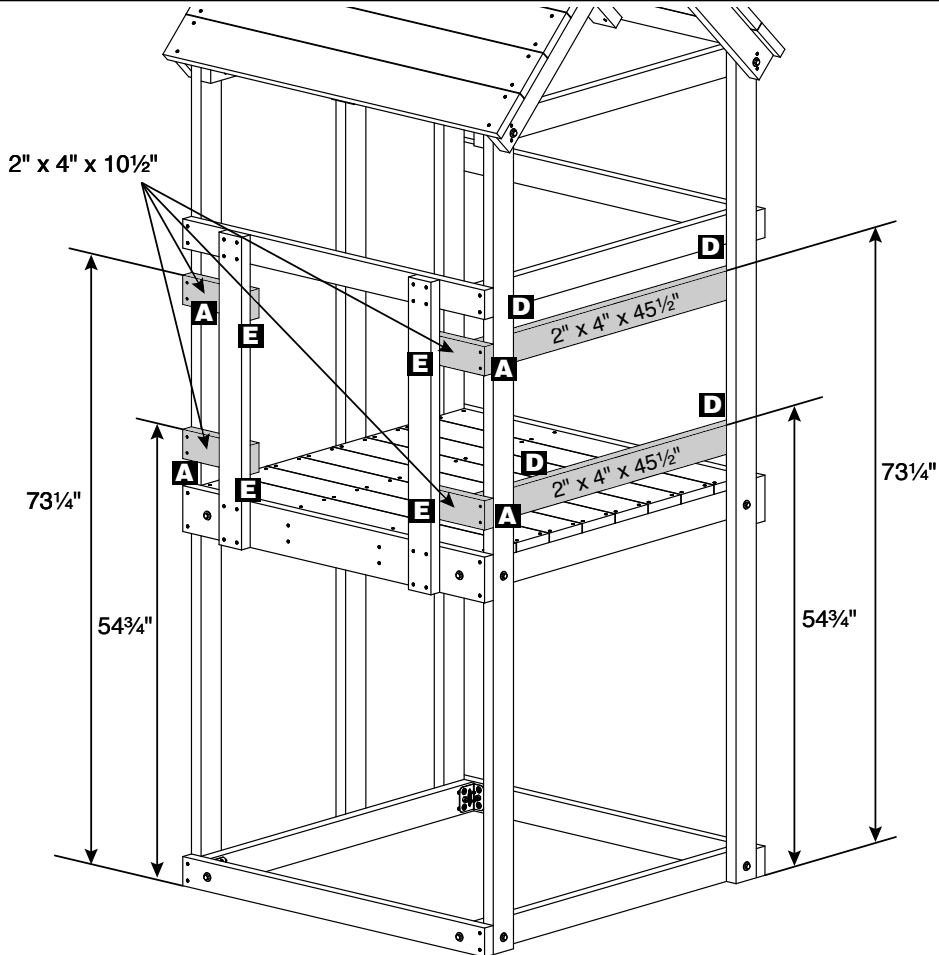
Caution: Gap between boards must be smaller than 1/4" or larger than 1/2" or a finger entrapment could exist.

SEE PAGE 6 FOR HOLE PATTERNS

Items for STEP 13:

- (2) 2" x 4" x 45 1/2" boards
- (4) 2" x 4" x 10 1/2" boards
- (32) #8 x 2 1/2" deck screws

Position boards at dimensions shown. Secure with #8 x 2 1/2" deck screws.

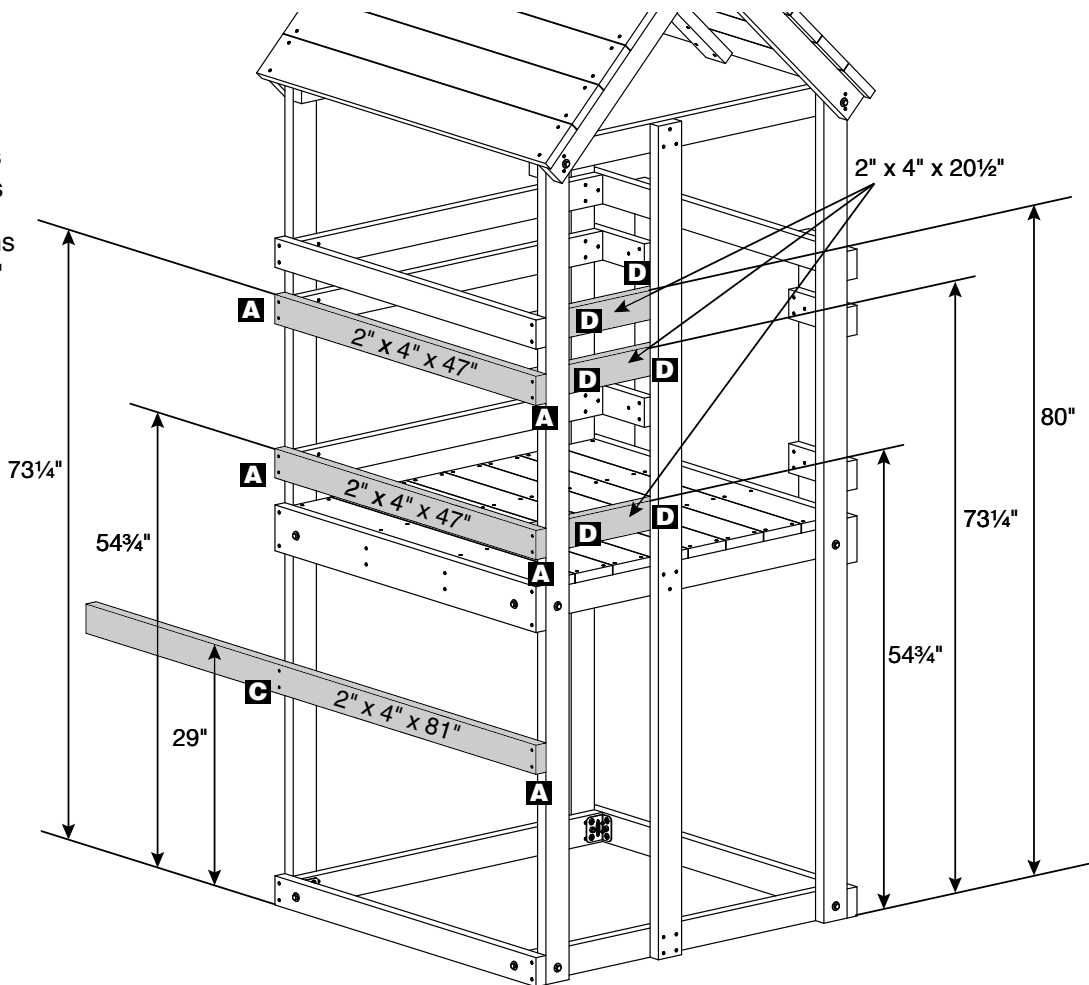


SEE PAGE 6 FOR HOLE PATTERNS

Items for STEP 14:

- (1) 2" x 4" x 81" board
- (2) 2" x 4" x 47" boards
- (3) 2" x 4" x 20½" boards
- (30) #8 x 2½" deck screws

Position boards at dimensions shown. Secure with #8 x 2½" deck screws.



SEE PAGE 6 FOR HOLE PATTERNS

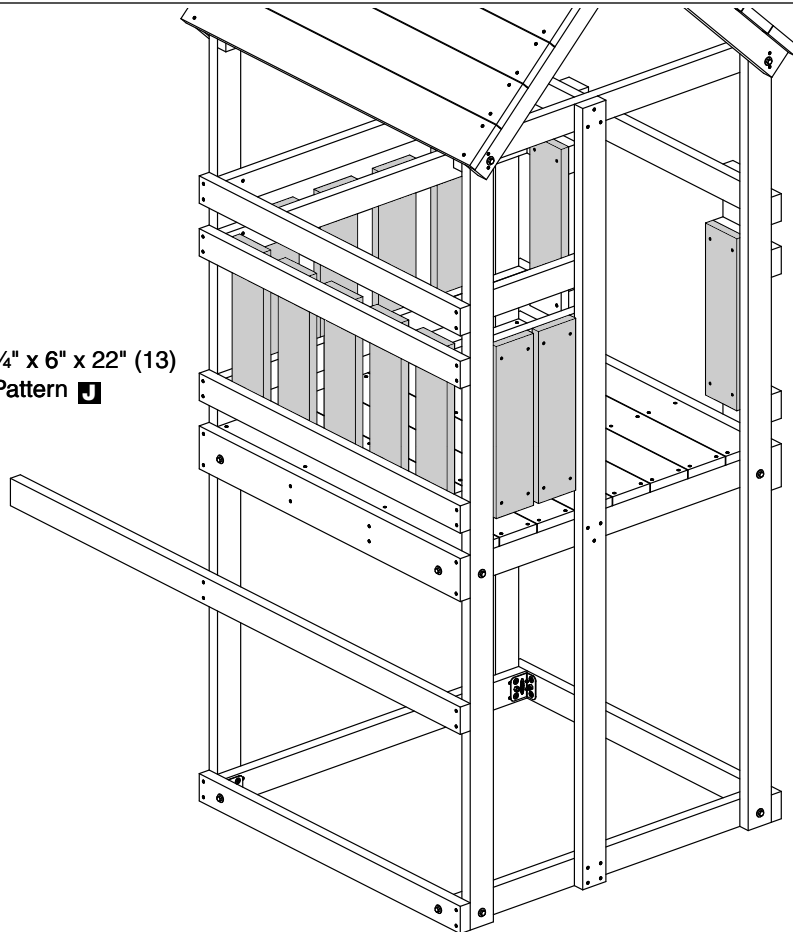
Items for STEP 15:

- (13) 5/4" x 6" x 22" boards
- (52) #8 x 2½" deck screws

Position seven 5/4" x 6" x 22" boards on the inside and six boards on the outside of the tower flush with the top and bottom guardrail boards and equally spaced as shown. Secure with #8 x 2½" deck screws.

Caution: Gap between boards must not exceed 3½" or a head entrapment could exist.

5/4" x 6" x 22" (13)
Pattern J

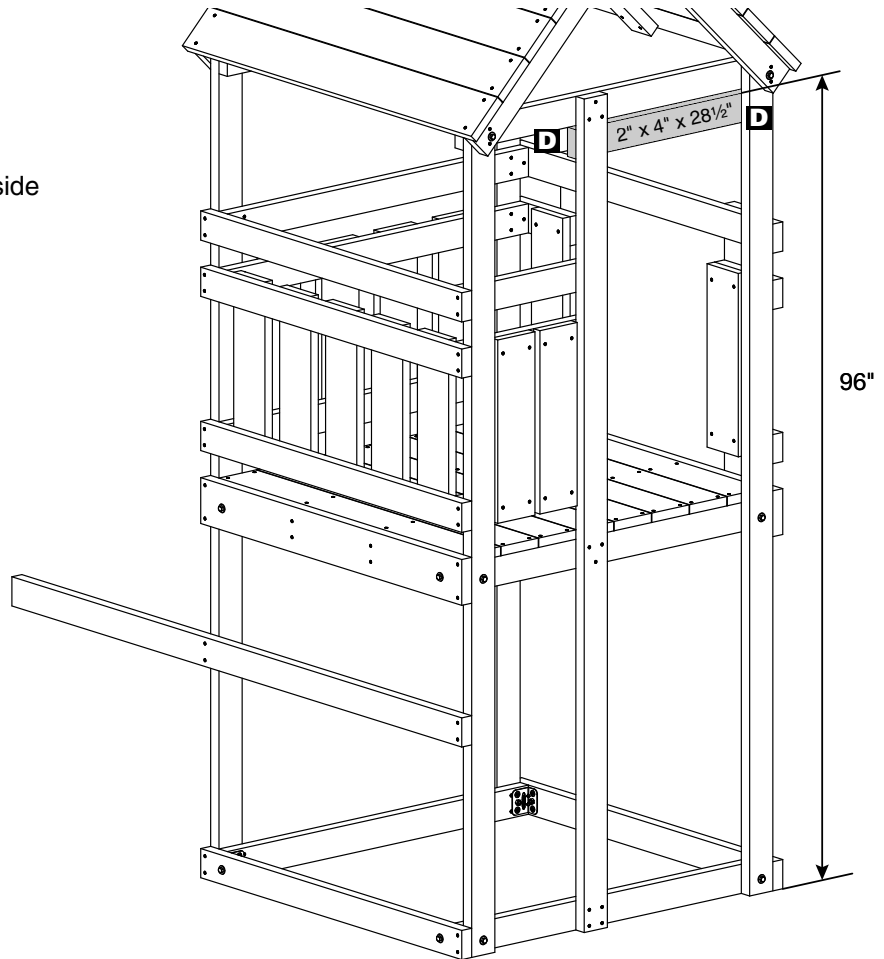


SEE PAGE 6 FOR HOLE PATTERNS

Items for STEP 16:

- (1) 2" x 4" x 28½" board
- (6) #8 x 2½" deck screws

Position 2" x 4" x 28½" board on the inside of the tower at the dimensions shown. Secure with #8 x 2½" deck screws.

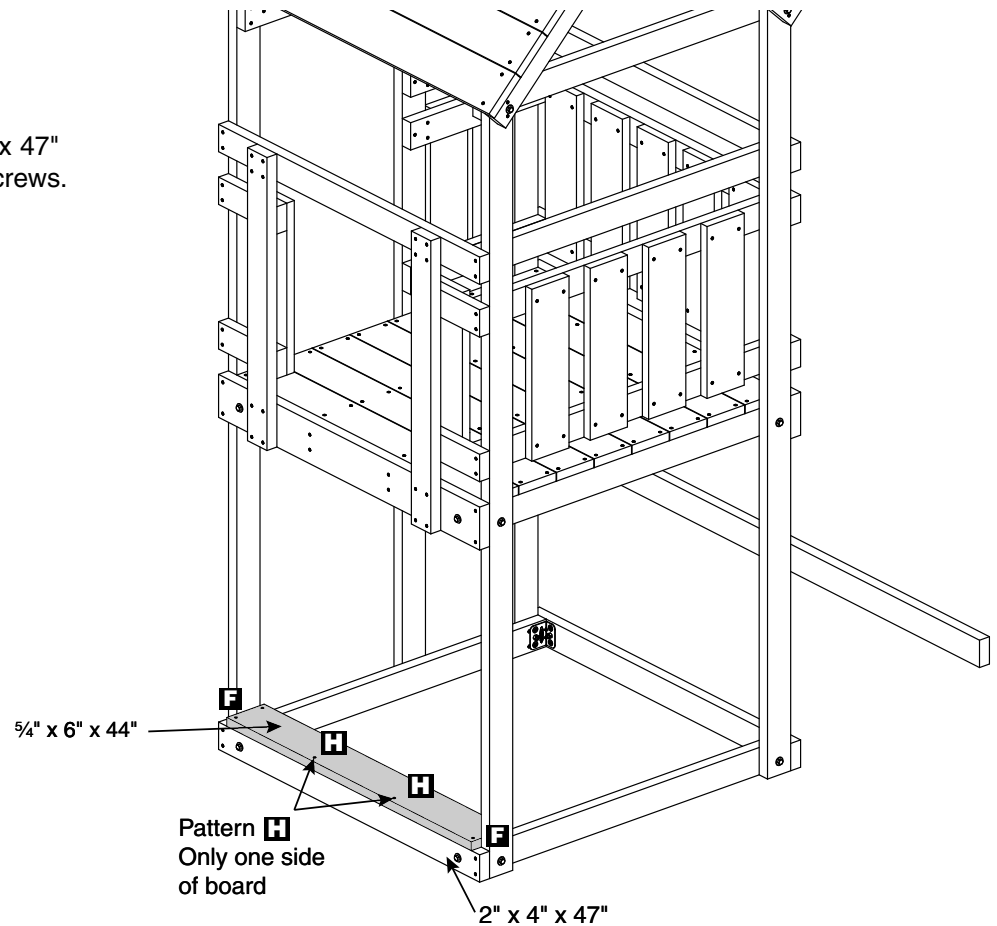


**SEE PAGE 6 FOR
HOLE PATTERNS**

Items for STEP 17:

- (1) 5/4" x 6" x 44" board
- (6) #8 x 2½" deck screws

Position end board flush with 2" x 4" x 47" board. Secure with #8 x 2½" deck screws.

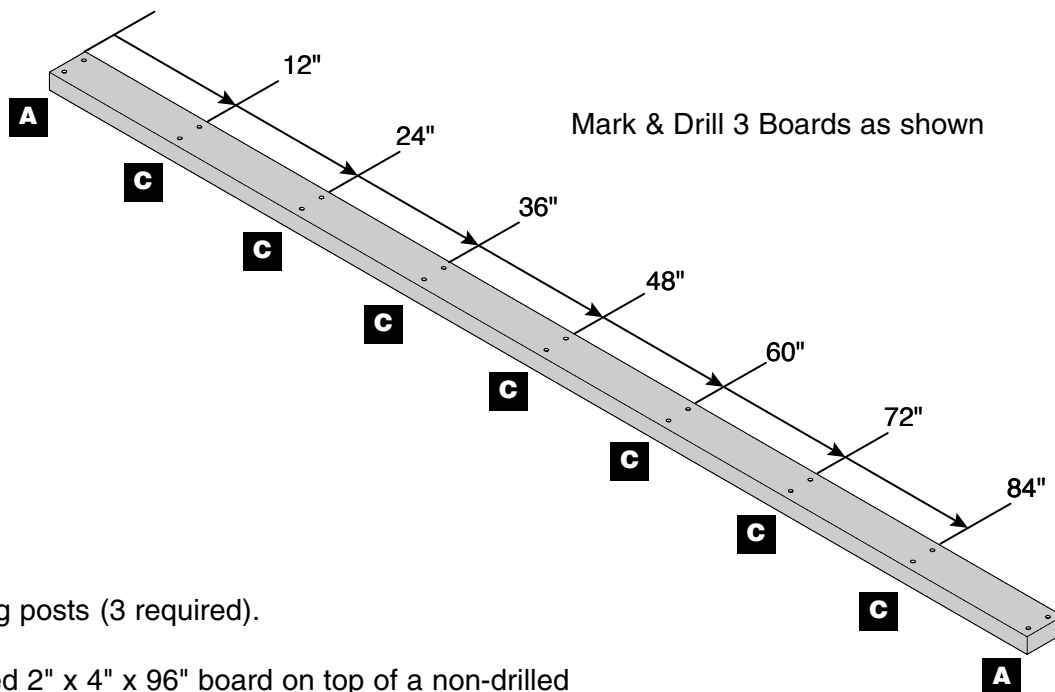


**SEE PAGE 6 FOR
HOLE PATTERNS**

Swing Beam Assembly

Items for STEP 1:

- (6) 2" x 4" x 96" boards
- (54) #8 x 2½" deck screws

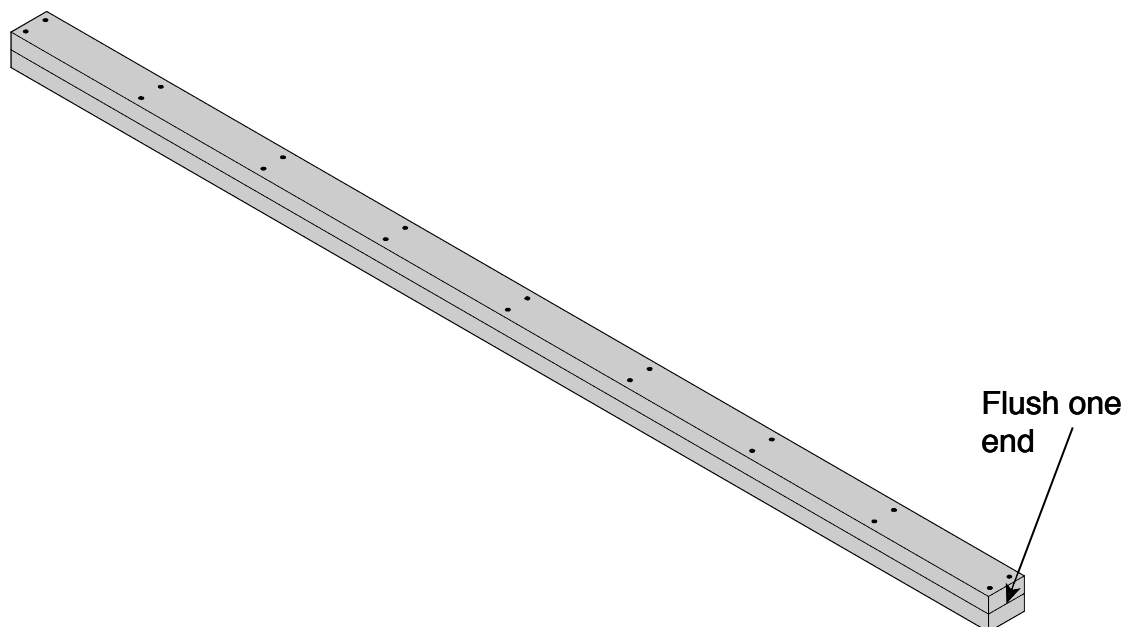


Assemble swing posts (3 required).

Place one drilled 2" x 4" x 96" board on top of a non-drilled 2" x 4" x 96" board. Make sure boards are flush with each other. If one board is longer than the other, flush one end and let the other end hang over. Secure with #8 x 2½" deck screws.

SEE PAGE 6 FOR
HOLE PATTERNS

Note: Repeat two more times for the second and third swing post assemblies.



Items for STEP 2:

- (3) Sturdy-Frame Brackets
- (6) 3/8" x 4" hex bolts
- (12) 3/8" washers
- (6) 3/8" lock nuts
- (6) #8 x 1 1/4" deck screws

Attach one right-hand (R) and two left-hand (L) sturdy-frame brackets onto separate swing post assemblies (brackets are stamped R and L).

Lay bracket on the flush end of post as shown. Slide bracket over and down until it stops against the top and side of the post as shown. When correctly positioned, the edge of the sturdy-frame bracket will be parallel with the side of the post.

Use the bracket as a drill guide and drill two 1/8" holes 1" deep into the posts. Attach with two #8 x 1 1/4" deck screws.

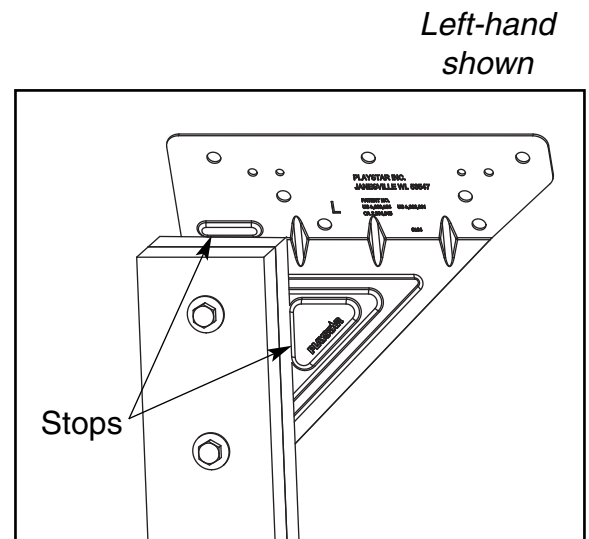
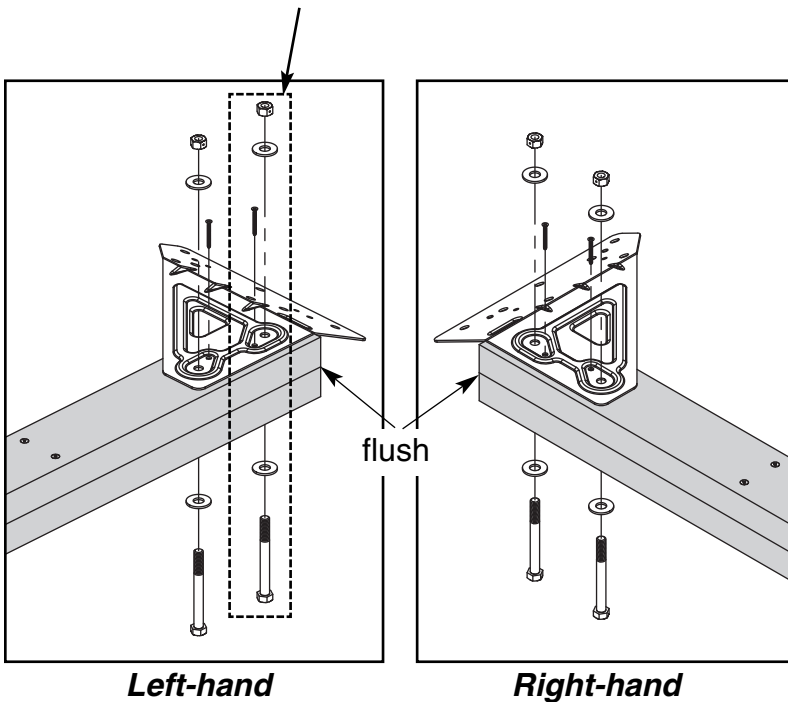
Again use the bracket as a drill guide and drill two 3/8" holes through the post. Secure bracket with two 3/8" x 4" hex bolts, 3/8" washers and 3/8" lock nuts.

Repeat for each post.

Note: For the second Left-hand Assembly, flip the bolt shown to go in the opposite direction.

Caution: Make sure bolts are tight and the threads of each bolt are at least flush to the end of the nut to ensure proper engagement.

Flip this bolt *Only* for the second Left-hand Assembly.



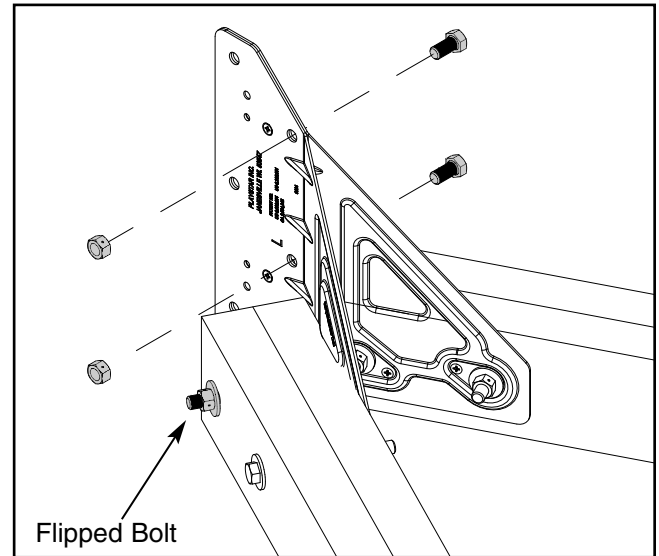
Rear View of bracket and post assembly showing correct position.

Items for STEP 3:

- (2) $\frac{3}{8}$ " x $\frac{3}{4}$ " hex bolts
- (2) $\frac{3}{8}$ " lock nuts

Mate the left-hand bracket assembly with the flipped bolt to one right-hand bracket assembly as shown.

Secure with two $\frac{3}{8}$ " x $\frac{3}{4}$ " hex bolts and $\frac{3}{8}$ " lock nuts through the two lower holes of brackets as shown (do not use flat washers).

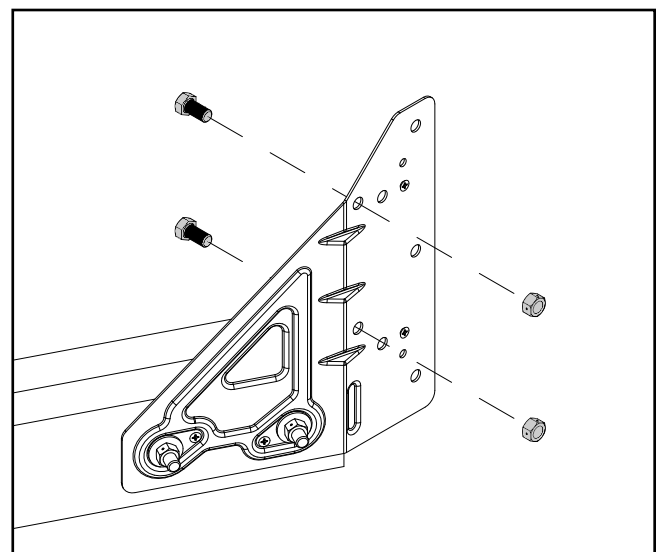


Items for STEP 4:

- (2) $\frac{3}{8}$ " x $\frac{3}{4}$ " hex bolts
- (2) $\frac{3}{8}$ " lock nuts

Place two $\frac{3}{8}$ " x $\frac{3}{4}$ " hex bolts and $\frac{3}{8}$ " lock nuts through the two lower holes of bracket on single post as shown (do not use flat washers).

Note: These bolts are necessary to properly align the single post assembly to beam at a later step.



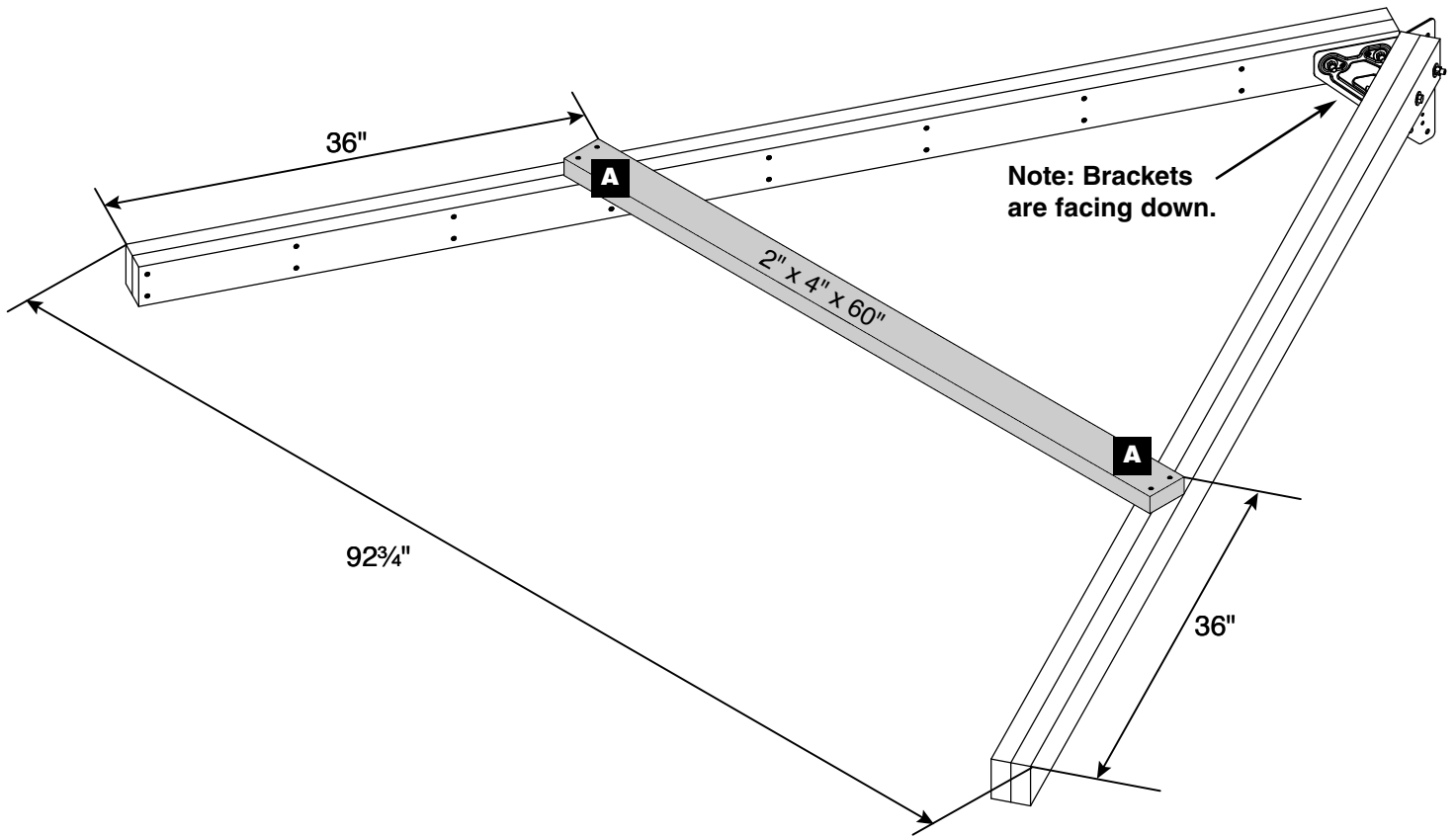
Items for STEP 5:

- (1) 2" x 4" x 60" board
- (4) #8 x 2½" deck screws

Position assembly as shown.

Align the posts so that the outermost points measure 92¾" as shown.

Attach 2" x 4" x 60" board at dimension shown. Secure with #8 x 2½" deck screws.



**SEE PAGE 6 FOR
HOLE PATTERNS**

6 items for STEP 6:

- (2) corner brackets
- (8) #8 x 1 1/4" screws
- (2) 3/8" x 3 1/2" hex bolts
- (2) 3/8" x 2" hex bolts
- (4) 3/8" washers
- (4) 3/8" lock nuts

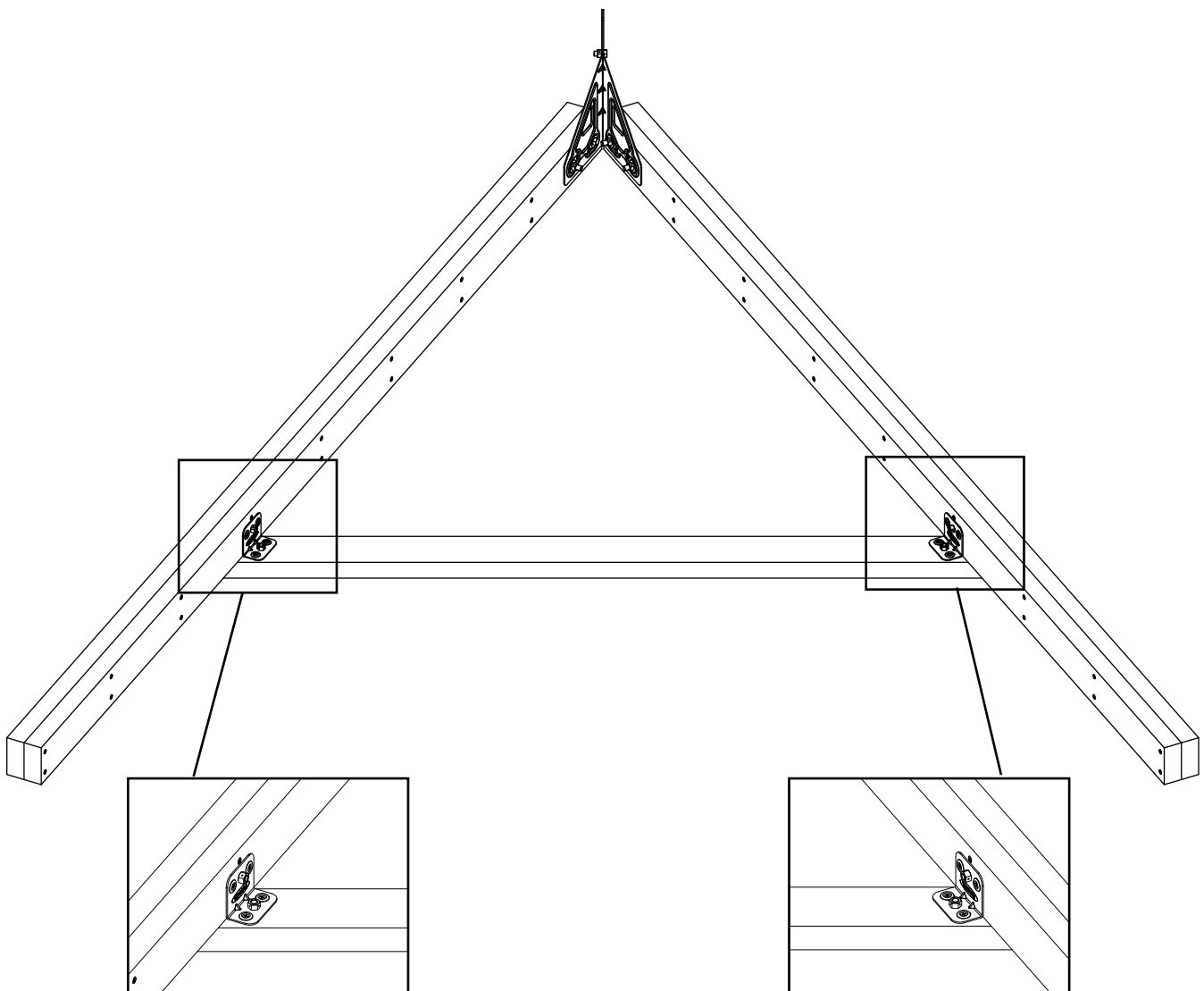
Attach corner brackets. To complete the A-Frame Assembly, flip over as shown and position brackets so that the short side is against the 2" x 4" x 60" board.

Use the bracket as a drill guide and drill 1/8" holes 1" deep into the board. Attach with #8 x 1 1/4" deck screws.

Again use the bracket as a drill guide and drill 3/8" holes completely through the boards. Secure with 3/8" hex bolts, 3/8" washers and 3/8" lock nuts.

NOTE: If you are bolting through one board use a 3/8" x 2" hex bolt.

If you are bolting through two boards, use a 3/8" x 3 1/2" hex bolt.



Items for STEP 7:

- (1) 2" x 6" x 120" board
- (4) #8 x 1 1/4" deck screws

Lay out the single post assembly and the A-Frame assembly approximately 90" apart. Use remaining unused boards to elevate approximately 3".

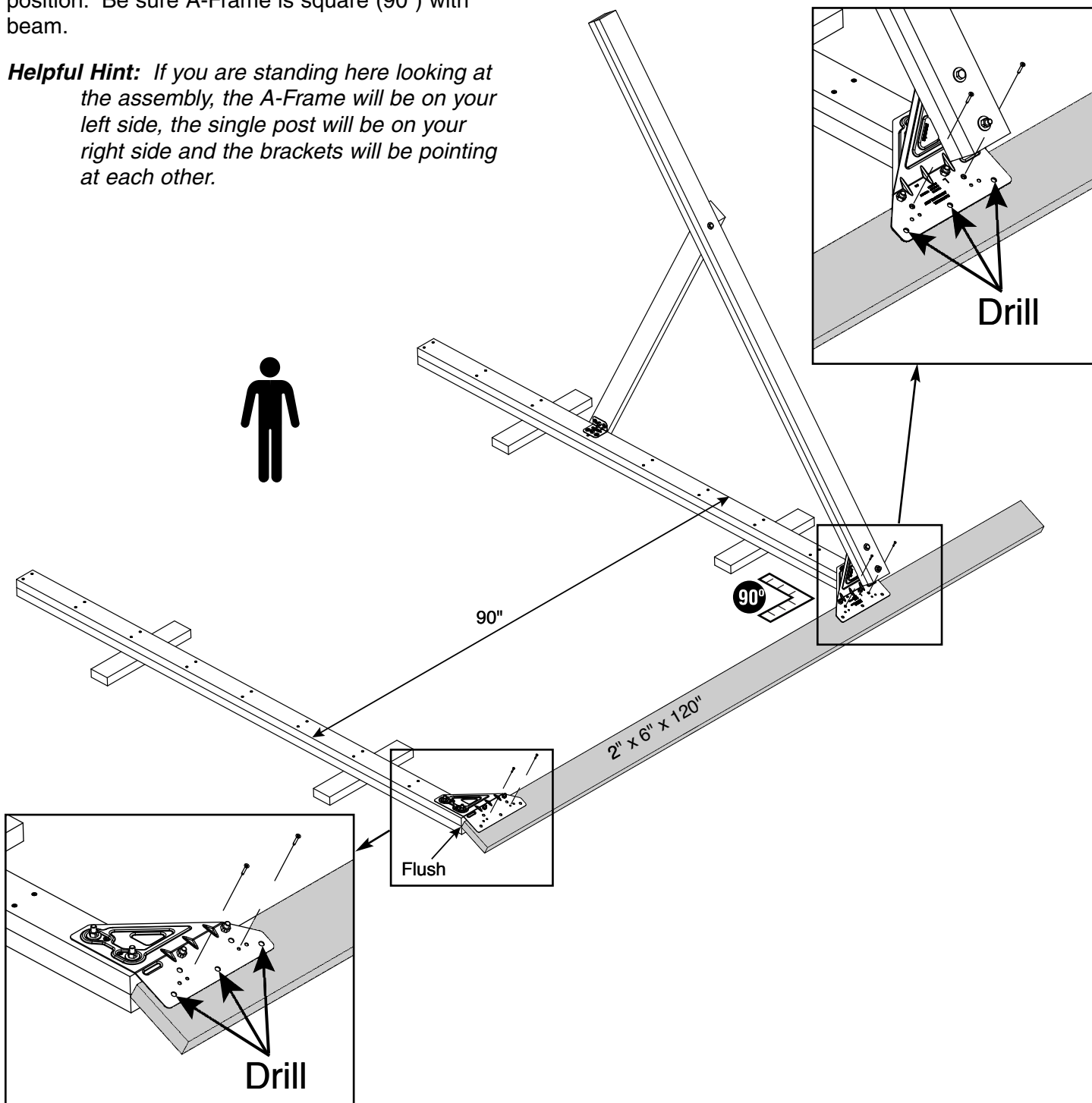
Place 2" x 6" x 120" board under brackets as shown.

Hold beam tight against bracket. Beam should rest on 3/8" x 3/4" hex bolts and top of post when in proper position. Be sure A-Frame is square (90°) with beam.

Helpful Hint: If you are standing here looking at the assembly, the A-Frame will be on your left side, the single post will be on your right side and the brackets will be pointing at each other.

Use brackets as a drill guide and drill 1/8" holes 1" deep into the beam and attach with #8 x 1 1/4" deck screws as shown.

Again use brackets as a drill guide and drill 3/8" holes completely through the beam as shown.



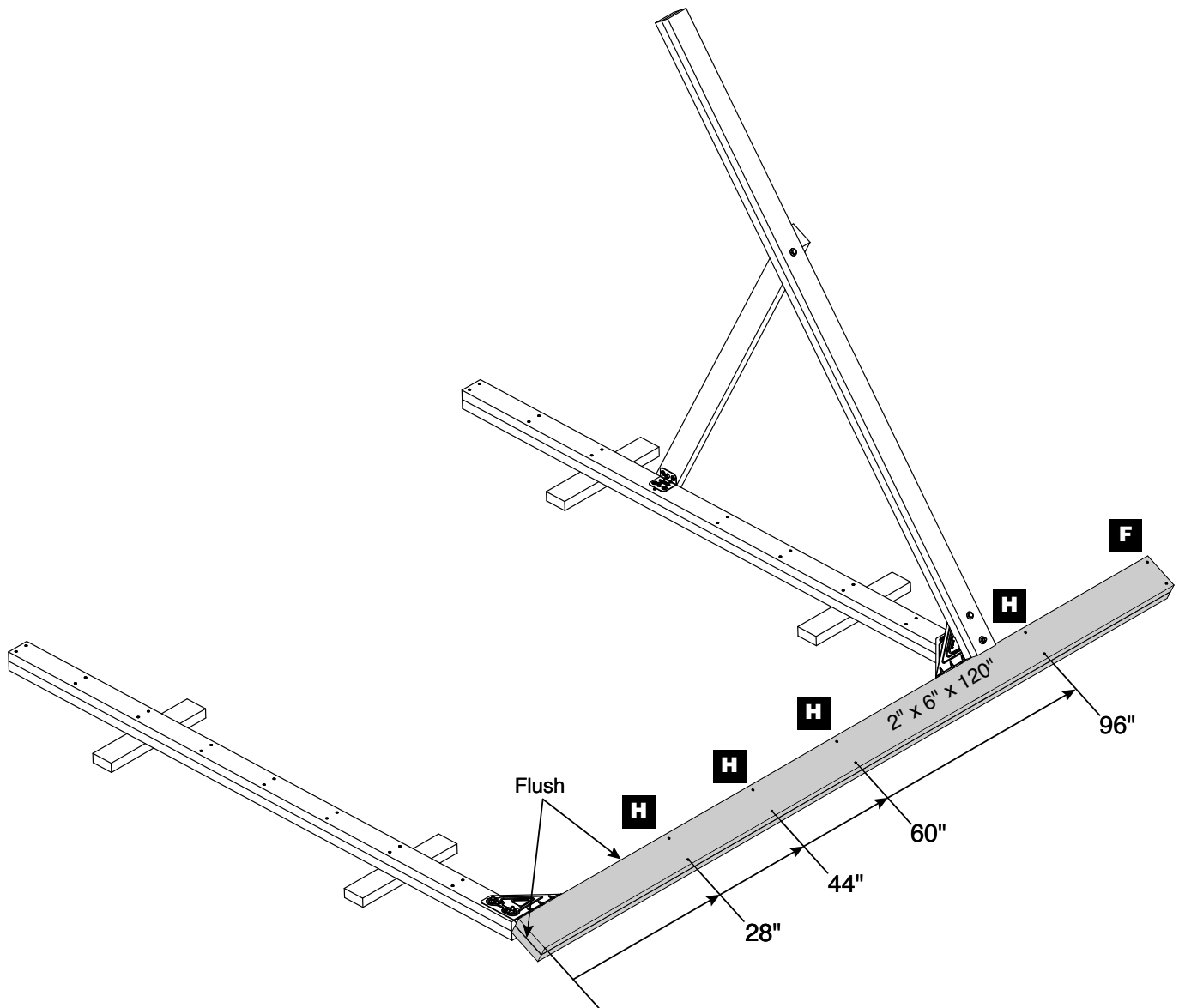
Items for STEP 8:

- (1) 2" x 6" x 120" board
- (10) #8 x 2½" deck screws

Pre-drill the 2" x 6" x 120" beam board at the dimension shown.

Attach the drilled 2" x 6" x 120" board on top of the existing assembly as shown. Make sure boards are flush with bottom board. Secure boards together with #8 x 2½" screws.

Note: *If your boards are a different length, flush the end with the single post.*



**SEE PAGE 6 FOR
HOLE PATTERNS**

Items for STEP 9:

- (5) $\frac{3}{8}$ " x 4" hex bolts
- (10) $\frac{3}{8}$ " washers
- (5) $\frac{3}{8}$ " lock nuts

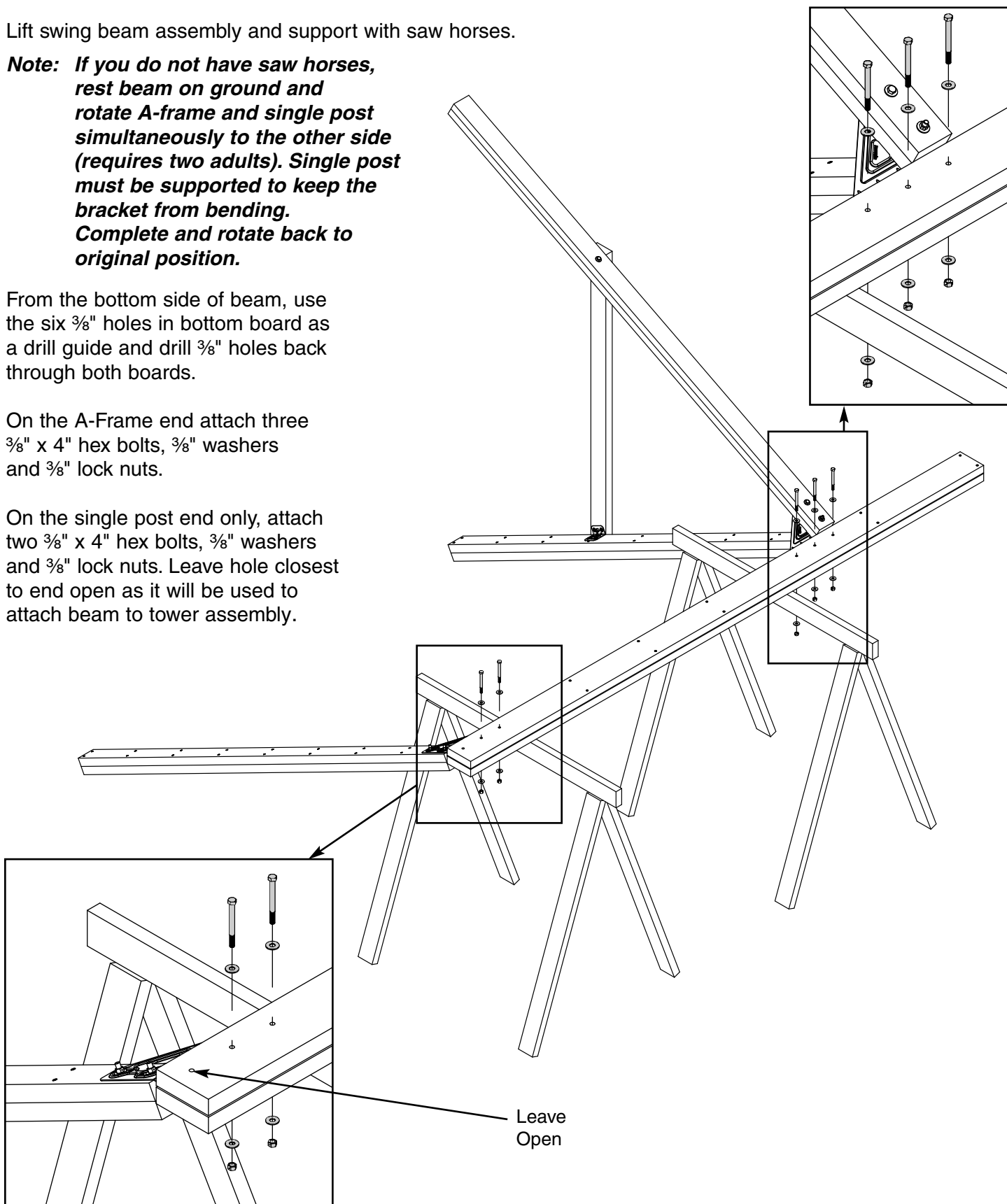
Lift swing beam assembly and support with saw horses.

Note: *If you do not have saw horses, rest beam on ground and rotate A-frame and single post simultaneously to the other side (requires two adults). Single post must be supported to keep the bracket from bending. Complete and rotate back to original position.*

From the bottom side of beam, use the six $\frac{3}{8}$ " holes in bottom board as a drill guide and drill $\frac{3}{8}$ " holes back through both boards.

On the A-Frame end attach three $\frac{3}{8}$ " x 4" hex bolts, $\frac{3}{8}$ " washers and $\frac{3}{8}$ " lock nuts.

On the single post end only, attach two $\frac{3}{8}$ " x 4" hex bolts, $\frac{3}{8}$ " washers and $\frac{3}{8}$ " lock nuts. Leave hole closest to end open as it will be used to attach beam to tower assembly.



Items for STEP 10:

- (6) swing hangers
- (6) $\frac{3}{8}$ " x 3" lag screws
- (6) $\frac{3}{8}$ " washers

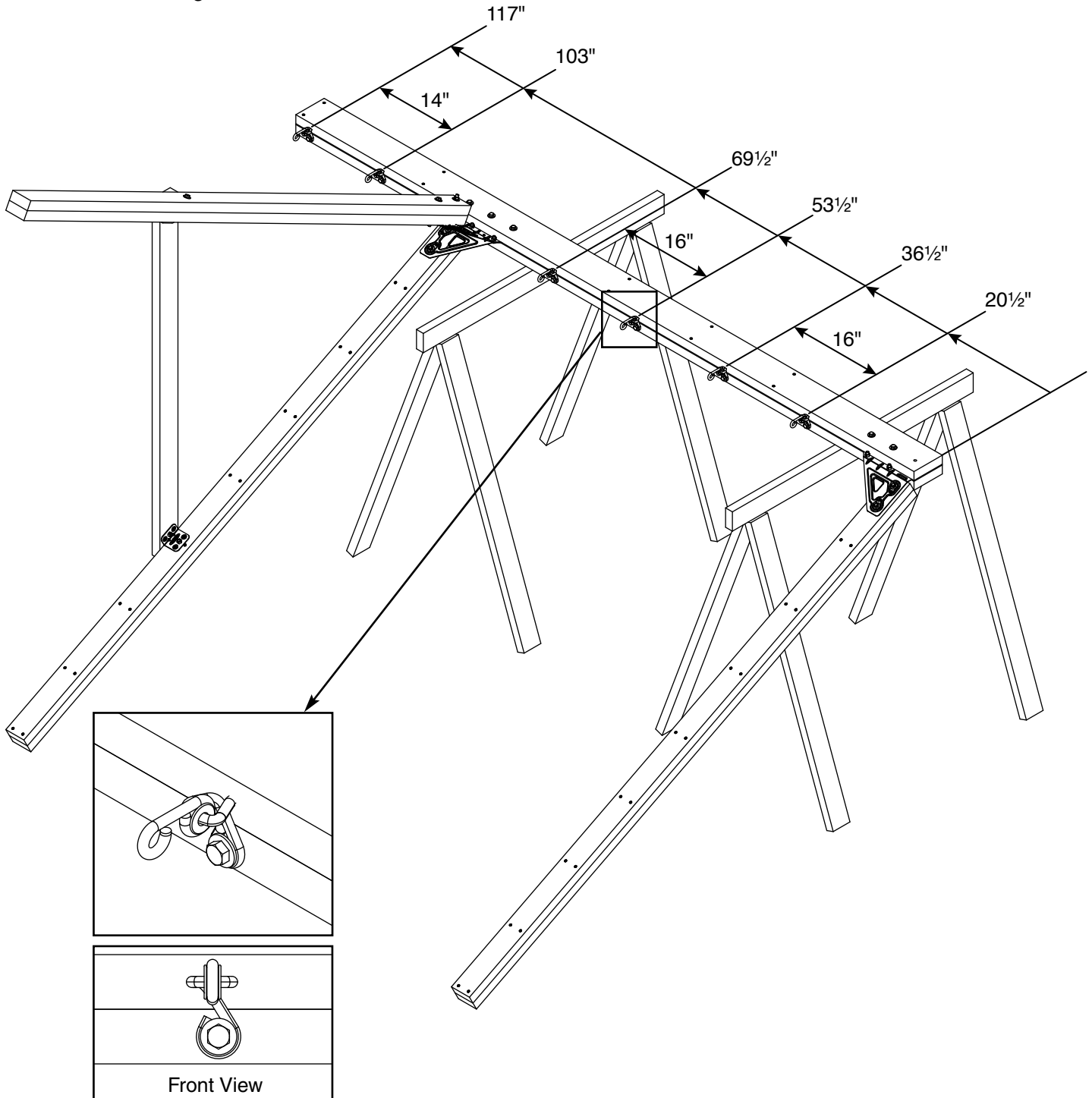
Mark the top beam board, on the bottom edge, at the dimensions shown, for swing hanger locations.

NOTE: If you are installing the Air Rider, follow the installation instructions that are supplied with the Air Rider.

Drill a $\frac{1}{4}$ " hole $2\frac{1}{2}$ " deep in the center of the bottom board at each swing hanger location.

Screw swing hangers into beam by hand (a long screwdriver will help). Tighten swing hanger until loop is tight against adjoining board and swing hanger is positioned as shown.

Drill another $\frac{1}{4}$ " hole $2\frac{1}{2}$ " deep in adjoining board through swing hanger loop and secure each swing hanger with one $\frac{3}{8}$ " x 3" lag screw and $\frac{3}{8}$ " washer.



STURDY-FRAME BRACE INSTALLATION

Items for Step 11:

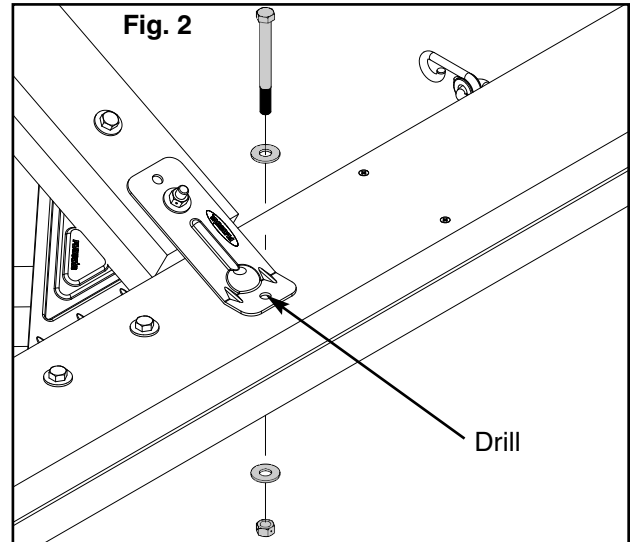
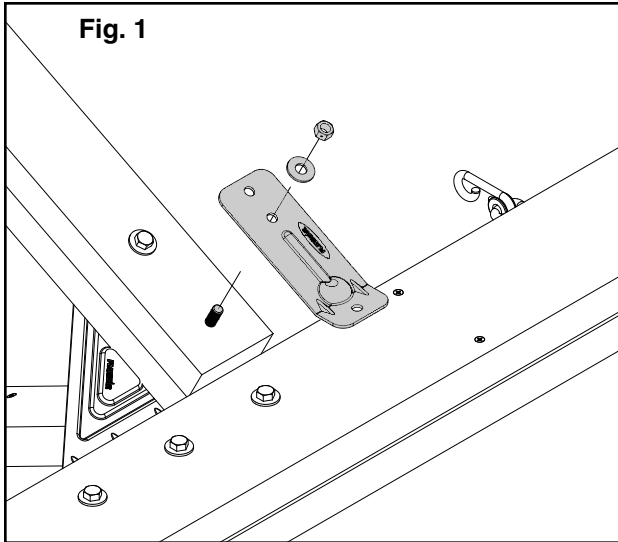
- (1) Sturdy-Frame Brace
- (1) 4" hex bolt
- (2) 3/8" washers
- (1) 3/8" lock nut

Remove the nut and washer from the flipped bolt as shown. (Fig. 1)

Install the Sturdy-Frame Brace as shown and secure with 3/8" washer and lock nut. (Fig. 1)

Make sure brace is square to beam. Using the brace as a template, drill a 3/8" hole completely through beam. (Fig. 2)

Secure the Sturdy-Frame Brace to the beam with the 3/8" x 4" hex bolt, washers and lock nut.



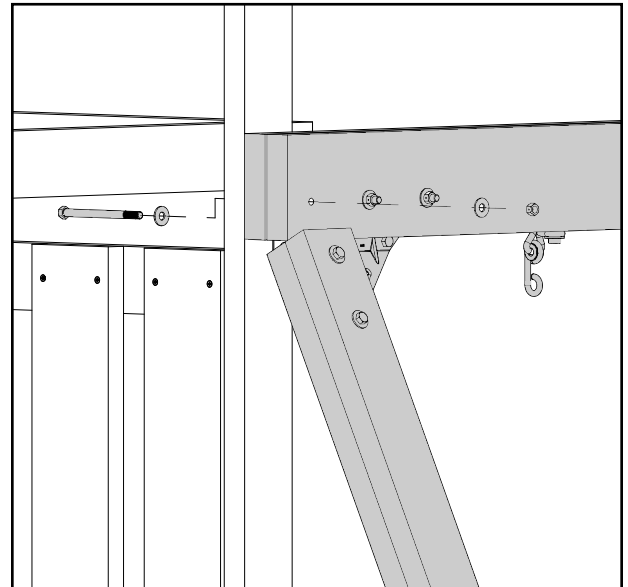
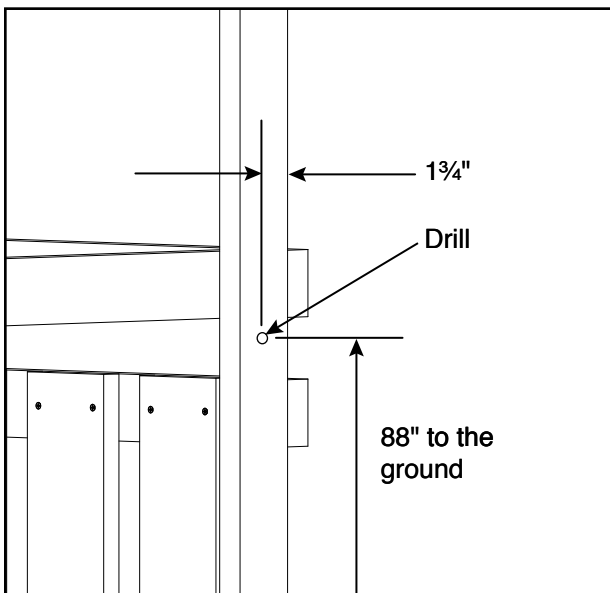
Items for STEP 12:

- (1) 3/8" x 5 1/2" hex bolt
- (2) 3/8" washers
- (1) 3/8" lock nut

On the 2" x 4" board of tower assembly where the Swing Station Assembly will be attached, measure and mark hole location 88" from the ground as shown.

Drill a 3/8" hole through the 2" x 4" board.

Position Swing Station Assembly against tower and secure with one 3/8" x 5 1/2" hex bolt, washers and lock nut as shown.



Items for STEP 13:

- (2) corner brackets
- (2) #8 x 2½" deck screws
- (8) #8 x 1¼" deck screws
- (1) ⅜" x 3½" hex bolt
- (3) ⅜" x 2" hex bolts
- (4) ⅜" washers
- (4) ⅜" lock nuts

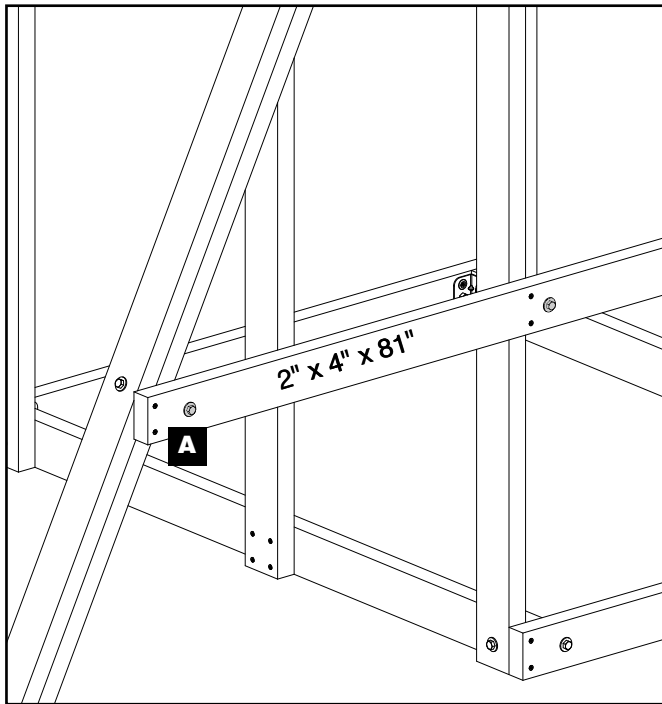
Attach 2" x 4" x 81" board to swing beam post. Secure using #8 x 2½" deck screws.

Position brackets so that the short sides are against the 2" x 4" x 81" board.

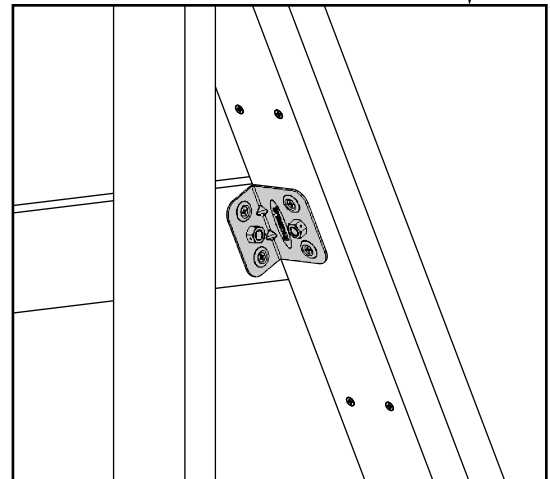
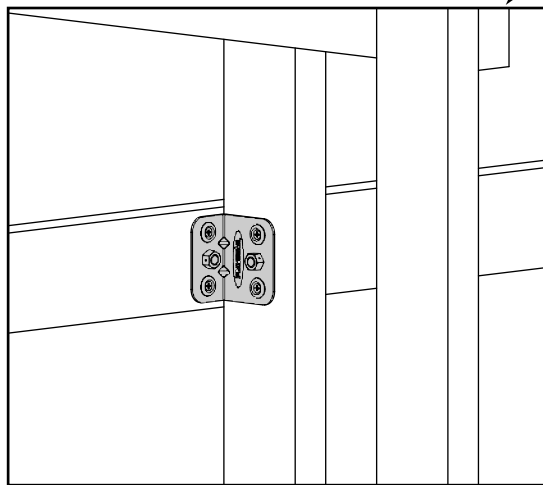
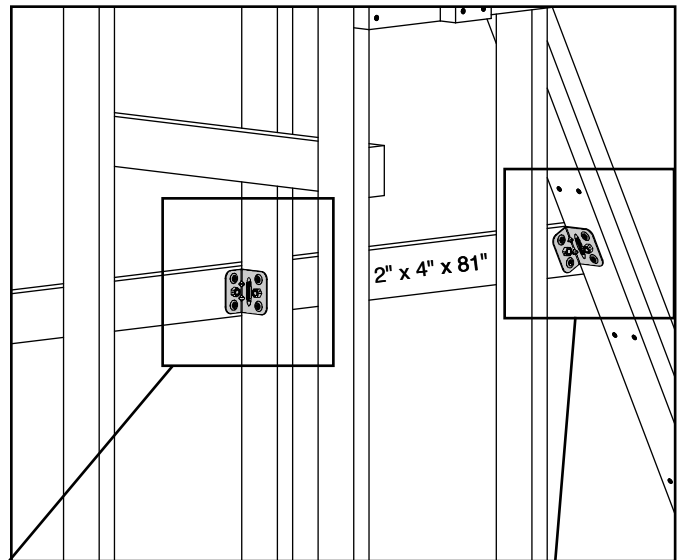
Use the bracket as a drill guide and drill ⅜" holes 1" deep into the board. Attach with #8 x 1¼" deck screws.

Again use the bracket as a drill guide and drill ⅜" holes completely through the boards. Secure with ⅜" hex bolts (2" through one board and 3½" through two boards), ⅜" washers and ⅜" lock nuts.

Front View



Shown from underneath the deck



SEE PAGE 6 FOR
HOLE PATTERNS

SEE PAGE 7 FOR
CORNER BRACKETS

Monkey Ring Assembly

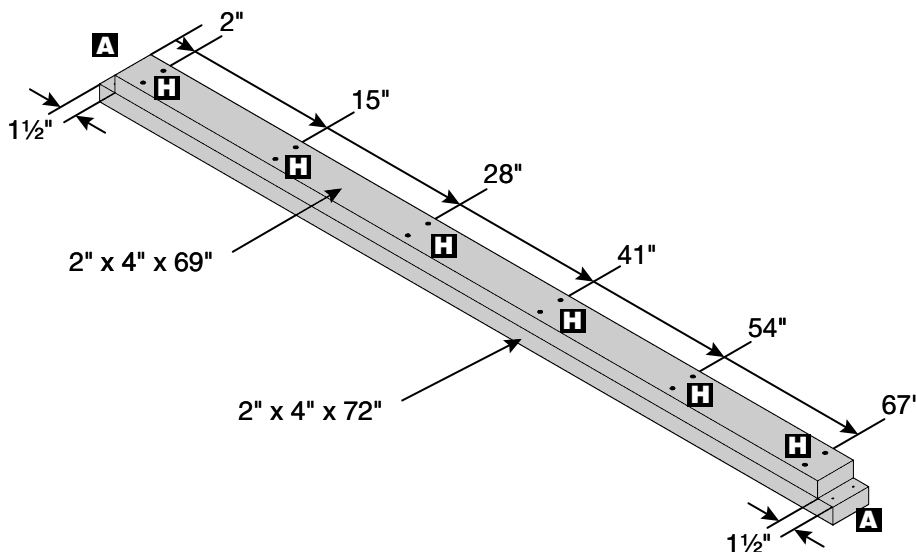
Items for **STEP 1: Beam Assemblies**

- (2) 2" x 4" x 72" boards
- (2) 2" x 4" x 69" board
- (24) #8 x 2½" deck screws

Drill Pattern **A** on each end of 2" x 4" x 72" board as shown.

Position 2" x 4" x 69" board centered on top of 2" x 4" x 72" board as shown. Secure with #8 x 2½" deck screws.

Repeat for second assembly.



SEE PAGE 6 FOR HOLE PATTERNS

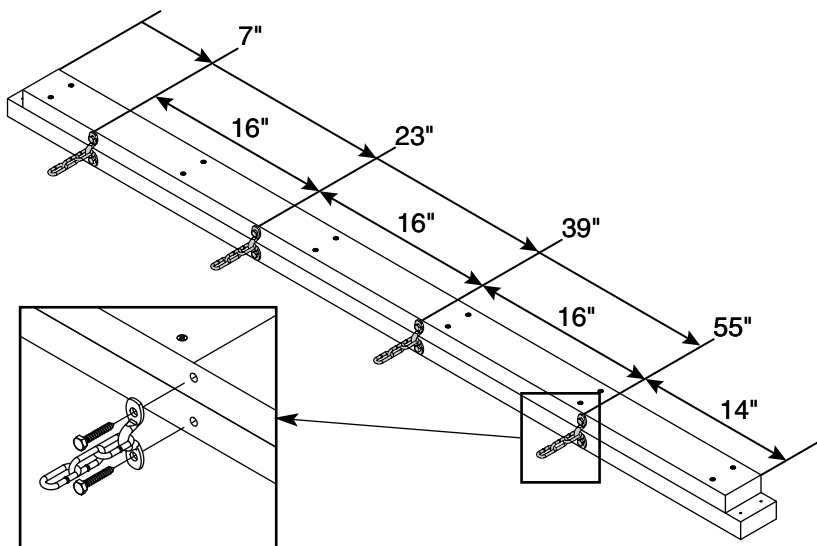
Items for **STEP 2:**

- (8) U-straps
- (8) 3-link chain
- (16) ¼" x 1½" lag screws

Using a U-strap as a drill guide. Drill two ⅛" holes 1" deep at dimensions shown install chains to U-straps. Secure with ¼" x 1½" lag screws.

Repeat for second assembly.

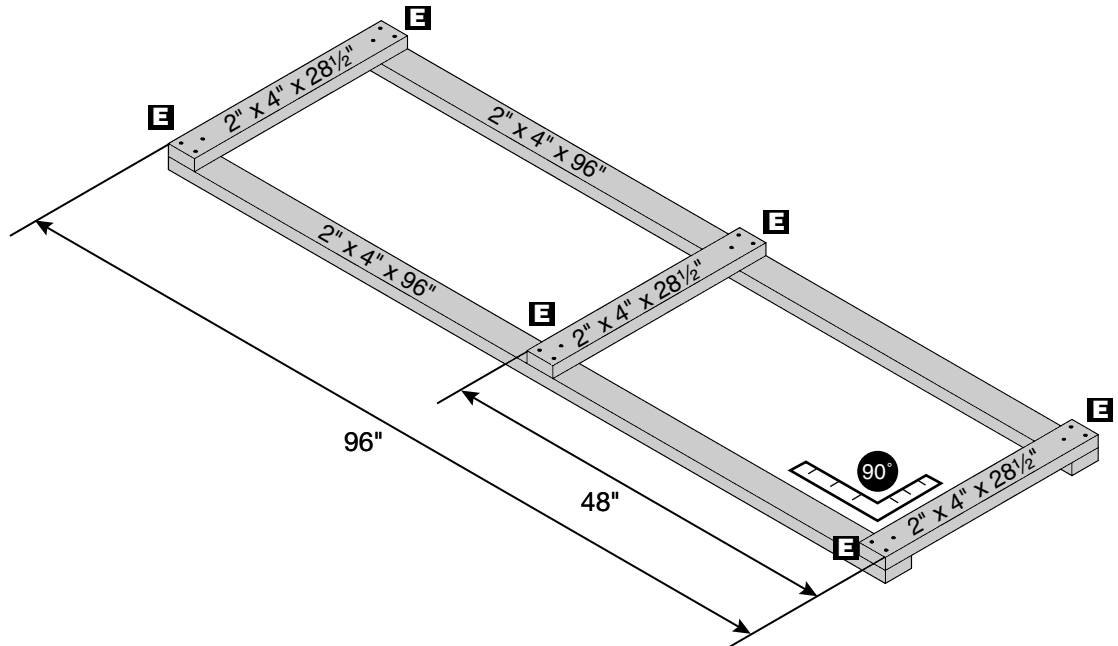
Note: Do not connect the monkey rings until the playset has been properly installed and is ready for use.



Items for STEP 3: Base Assembly:

- (2) 2" x 4" x 96" boards
- (3) 2" x 4" x 28½" boards
- (18) #8 x 2½" deck screws

On a flat surface position boards at dimensions shown. Keep assembly square while securing with #8 x 2½" deck screws.

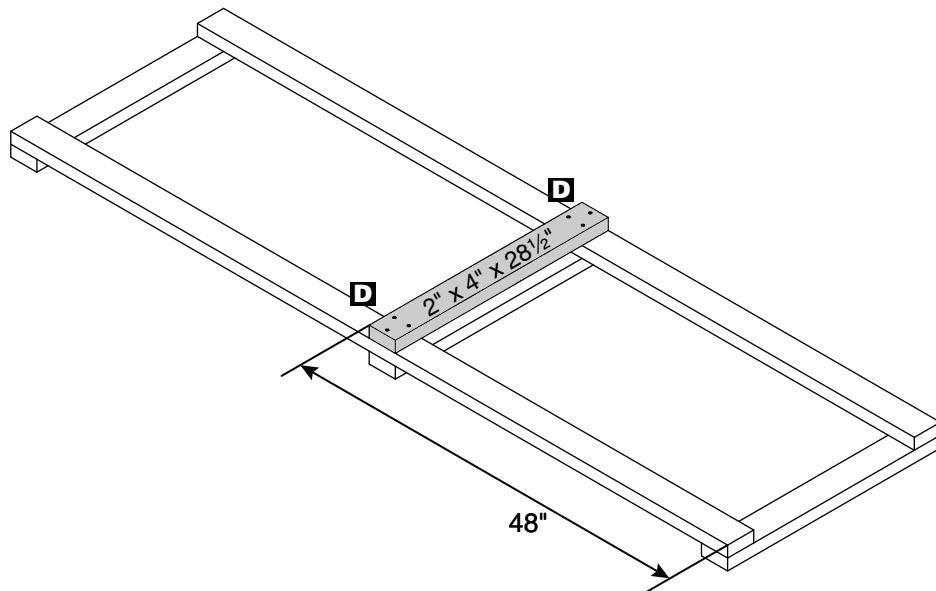


**SEE PAGE 6 FOR
HOLE PATTERNS**

Items for STEP 4:

- (1) 2" x 4" x 28½" board
- (6) #8 x 2½" deck screws

Flip assembly over and position board at dimension shown. Secure with #8 x 2½" deck screws.

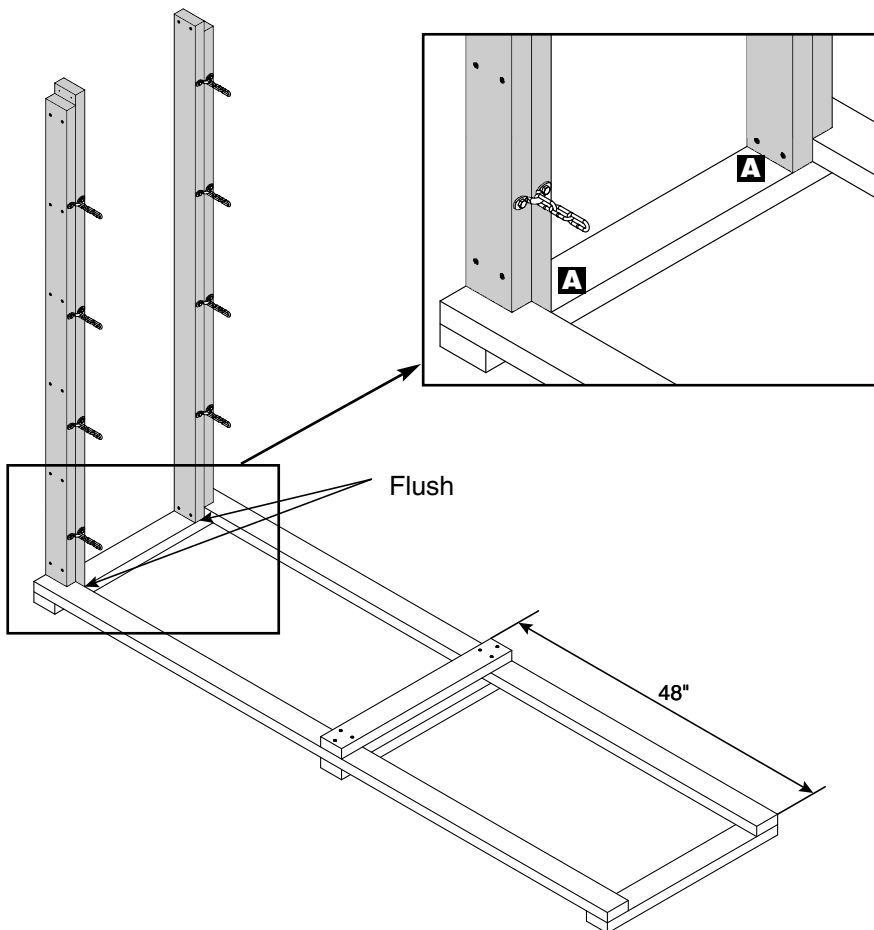


**SEE PAGE 6 FOR
HOLE PATTERNS**

Items for STEP 5:

- (2) Beam Assemblies from Step 2
- (4) #8 x 2½" deck screws

Attach beam assemblies to the frame on the opposite end to the 48" dimension as shown. Secure with #8 x 2½" deck screws.



SEE PAGE 6 FOR HOLE PATTERNS

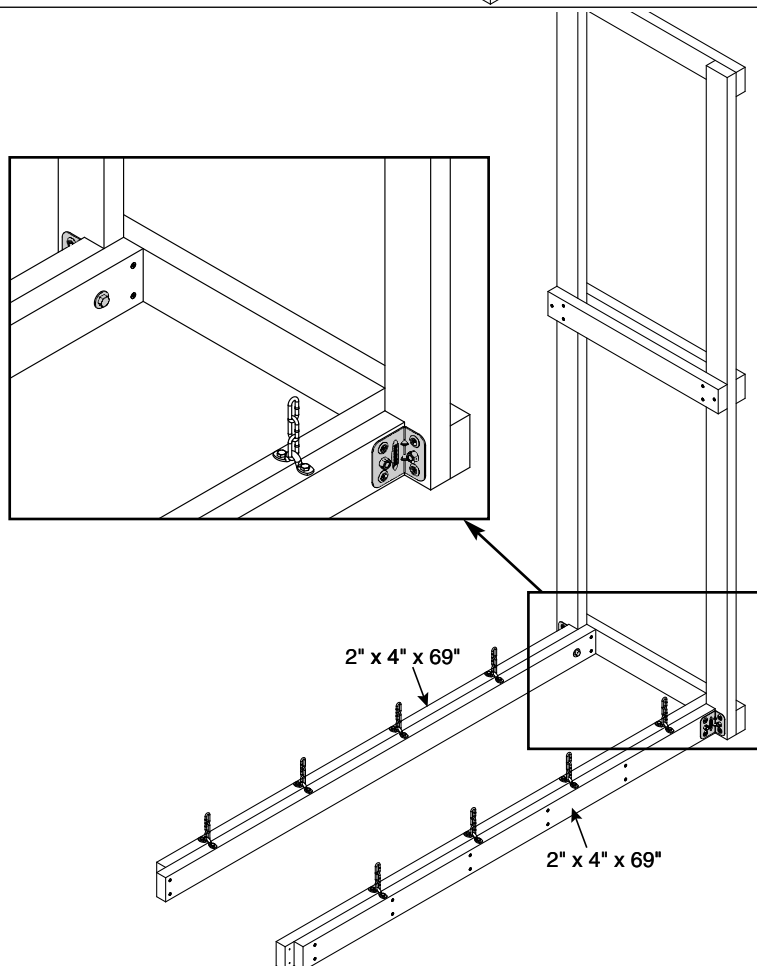
Items for STEP 6:

- (2) Corner Brackets
- (4) ⅜" x 3½" hex bolts
- (4) ⅜" washers
- (4) ⅜" lock nuts
- (8) #8 x 1¼" deck screws

Position brackets so that the long sides are against the 2" x 4" x 69" boards.

Use brackets as a drill guide and drill ⅛" holes 1" deep into the boards. Attach with #8 x 1¼" deck screws.

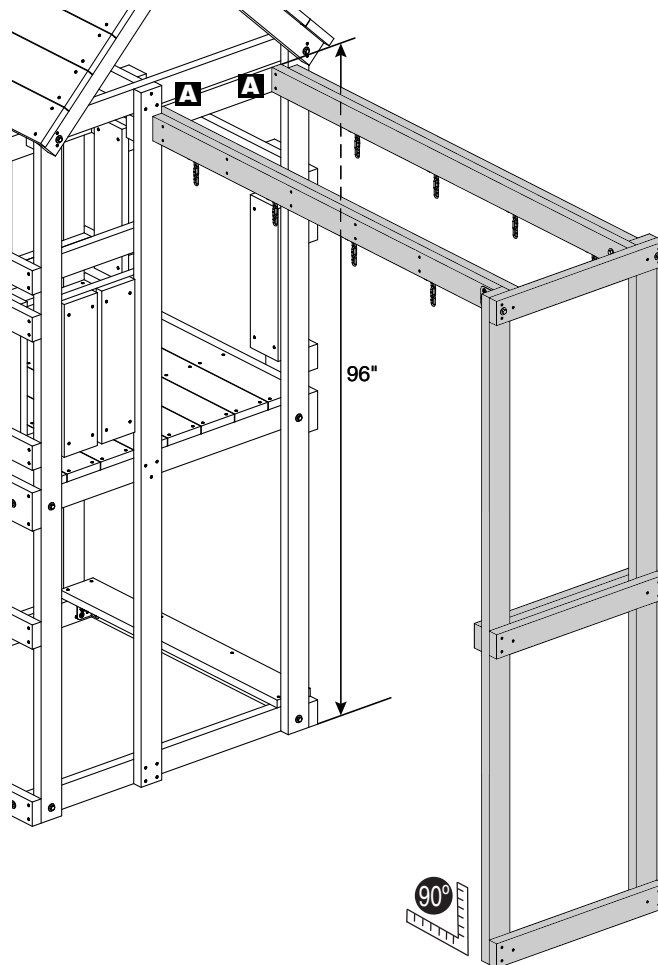
Again use brackets as a drill guide and drill ⅜" holes completely through the boards. Secure with ⅜" x 3½" hex bolts, ⅜" washers and ⅜" lock nuts.



Items for STEP 7:

- (1) Monkey Ring Base & Beam Assembly
- (4) #8 x 2½" deck screws

Lift the base and beam assembly into an upright position at the 96" dimension shown. Secure with #8 x 2½" deck screws.



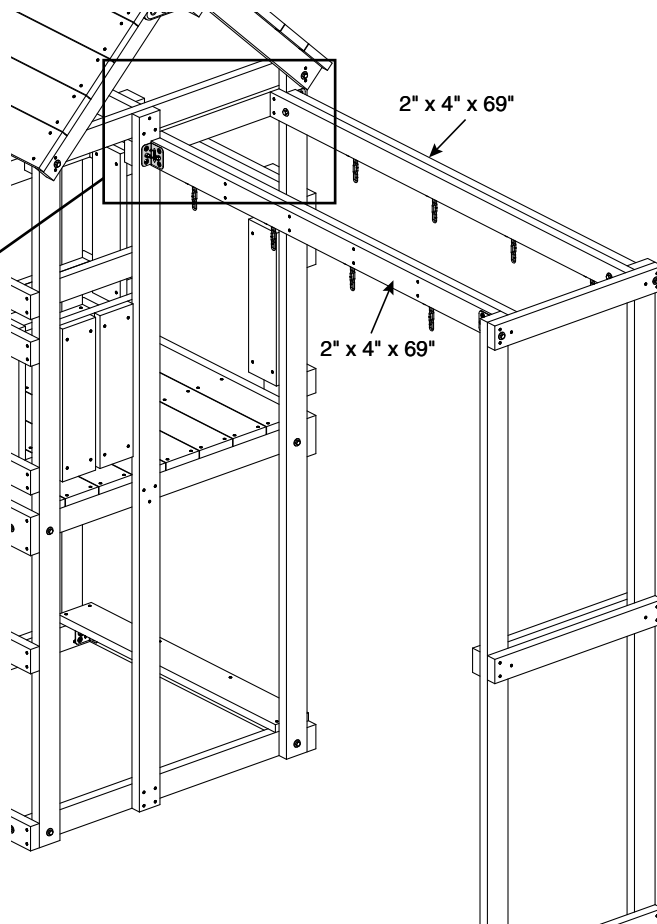
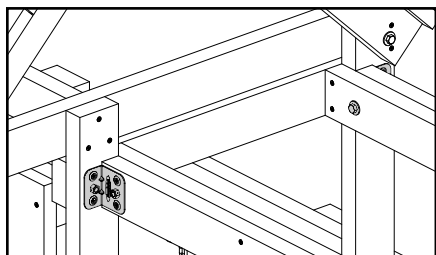
**SEE PAGE 6 FOR
HOLE PATTERNS**

Starter Tower Shown

Items for STEP 8:

- (2) Corner Brackets
- (4) ⅜" x 3½" hex bolts
- (4) ⅜" washers
- (4) ⅜" lock nuts
- (8) #8 x 1¼" deck screws

Position brackets so that the long sides are against the 2" x 4" x 69" boards.



Use brackets as a drill guide and drill ⅜" holes 1" deep into the boards. Attach with #8 x 1¼" deck screws.

Again use brackets as a drill guide and drill ⅜" holes completely through the boards. Secure with ⅜" x 3½" hex bolts, ⅜" washers and ⅜" lock nuts.

Items for STEP 9:

- (2) Corner Brackets
- (2) 2" x 4" x 52" boards
- (4) 3/8" x 2" hex bolts
- (4) 3/8" washers
- (4) 3/8" lock nuts
- (8) #8 x 1 1/4" deck screws
- (4) #8 x 2 1/2" deck screws

Position brackets 42" up from bottom of tower with the long side of the brackets against the 2" x 4" x 96" boards and the short side flush with the inside edges as shown.

Use brackets as a drill guide and drill 1/8" holes 1" deep into the boards. Attach with #8 x 1 1/4" deck screws.

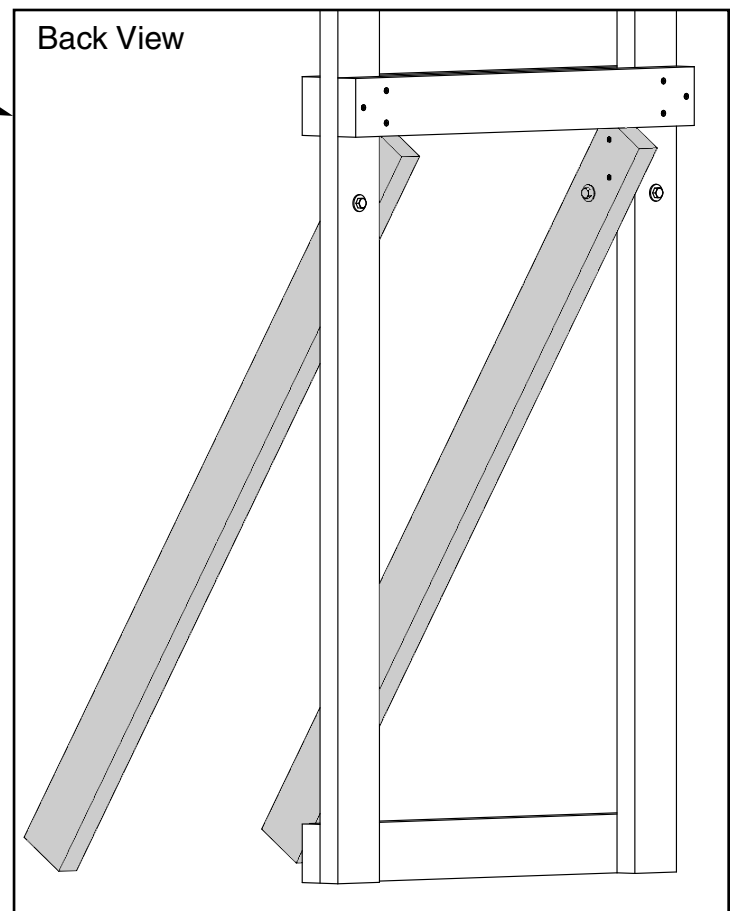
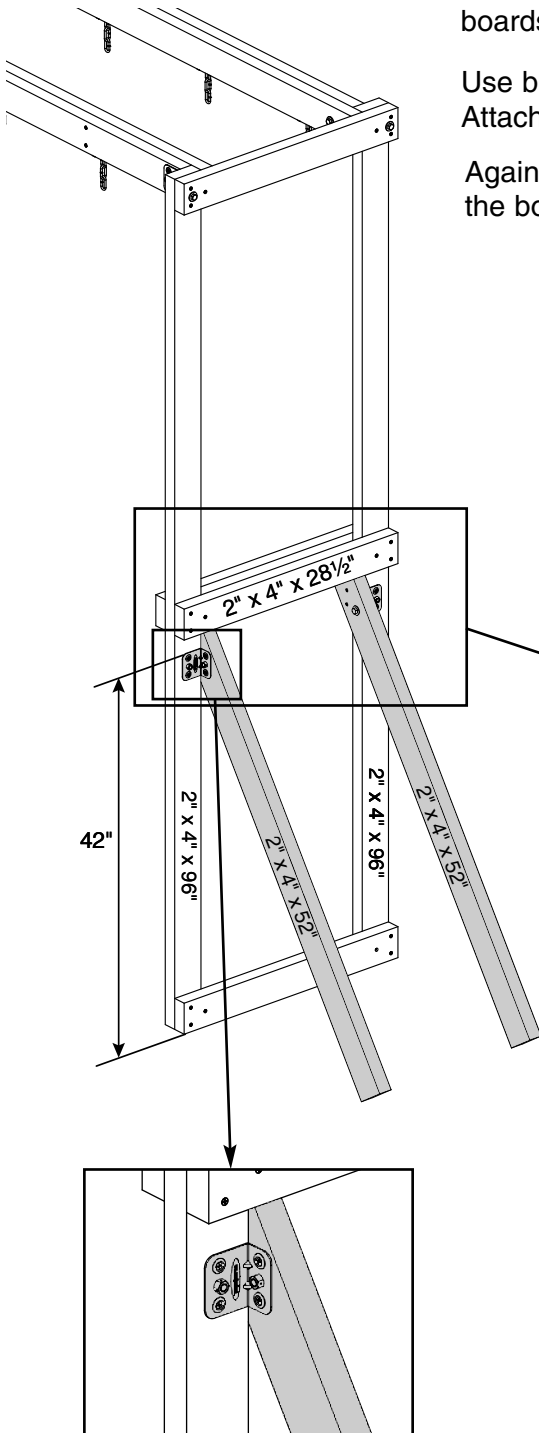
Again use brackets as a drill guide and drill 3/8" holes completely through the boards. Secure with 3/8" x 2" hex bolts, 3/8" washers and 3/8" lock nuts.

Attach two 2" x 4" x 52" boards to corner brackets as shown. Bottom corner of board must rest on the ground and the top end and edge of boards must be tight with the two 2" x 4" x 28 1/2" boards in the middle.

Use brackets as a drill guide and drill 1/8" holes 1" deep into the boards. Attach with #8 x 1 1/4" deck screws.

Again use brackets as a drill guide and drill 3/8" holes completely through the boards. Secure with 3/8" x 2" hex bolts, 3/8" washers and 3/8" lock nuts.

Secure 2" x 4" x 52" boards to 2" x 4" x 96" boards with #8 x 2 1/2" deck screws as shown.



Items for STEP 10:

- (9) 5/4" x 6" x 21 1/2" boards
- (36) #8 x 2 1/2" deck screws

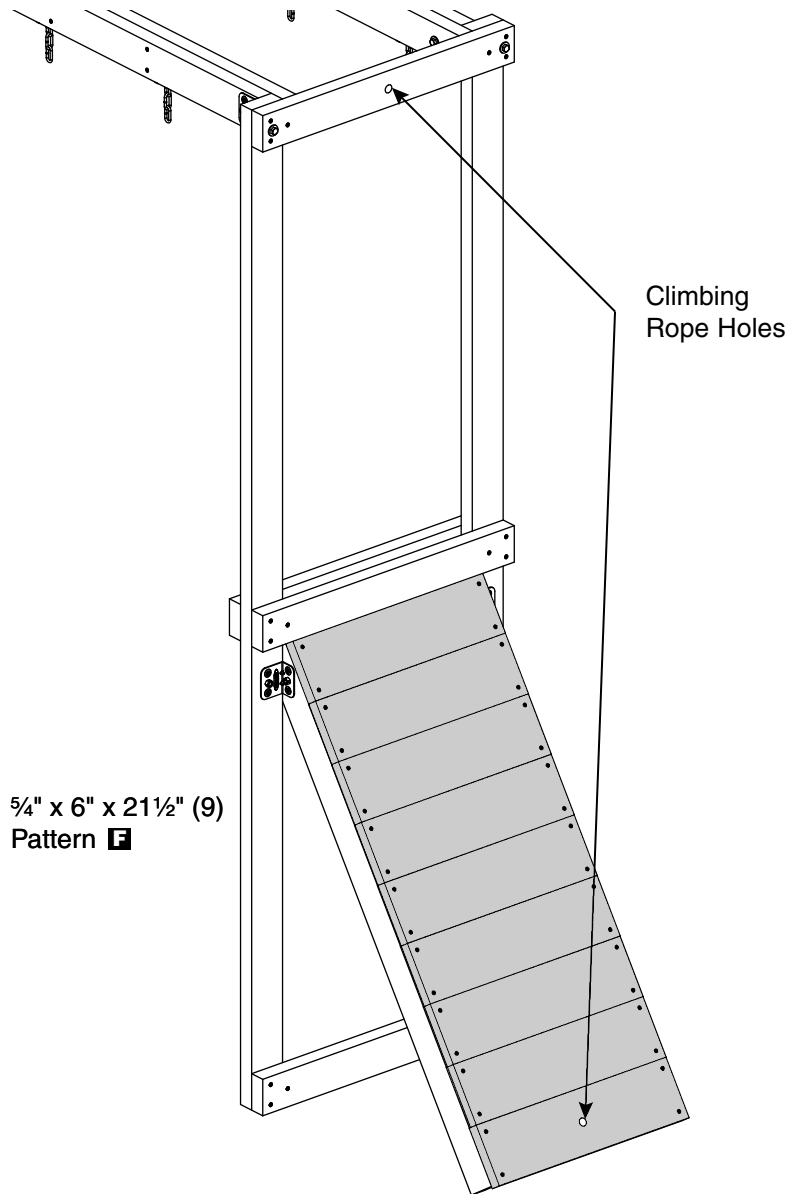
Position first 5/4" x 6" x 21 1/2" board tight at the top as shown. Secure with #8 x 2 1/2" deck screws.

Position next 5/4" x 6" x 21 1/2" board tight against first board. Secure with #8 x 2 1/2" deck screws.

Repeat for remaining boards.

Hole placement for Climbing Rope:

Drill a 3/4" hole in center of boards shown. Install rope per instructions on Page 75.



**SEE PAGE 6 FOR
HOLE PATTERNS**

ANCHORING

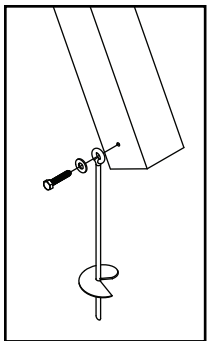
At locations shown screw Playset Anchors into ground by hand (a long screwdriver will help).

Use the anchor as a drill guide and drill a 1/4" hole 2 1/2" deep into the board. Attach with 3/8" x 3" lag screw and 3/8" washer.

When anchoring at tower locations, back out existing 3/8" x 3" lag screw with washer. Screw anchor into ground until loop in anchor lines up with hole in tower. Re-install lag screw with washer to secure anchor.

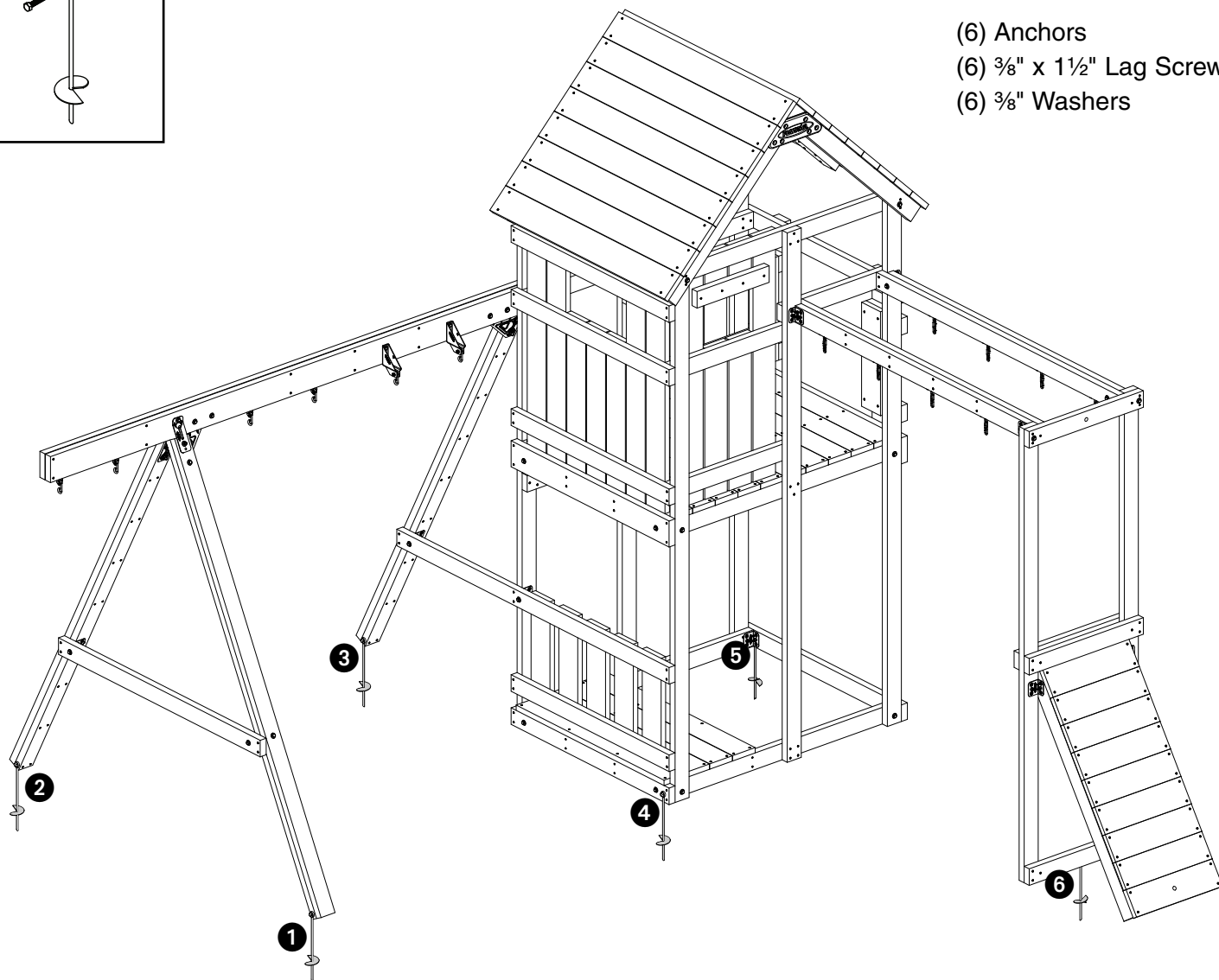
Note: If soil conditions permit anchors to be pulled out easily, such as in sandy soil conditions, cementing is required. If your ground is too hard to screw in the anchors, or you are having trouble lining up anchor with existing hole in tower, you can remove the earth with a shovel. Install the anchors and compact the earth as you replace it. Anchors must be placed below the level of the shock-absorbing surfacing material to prevent tripping or injury resulting from a fall.

Reminder: Be sure to install proper shock-absorbing surfacing material. Refer to the Safety Guide at the beginning of this plan.



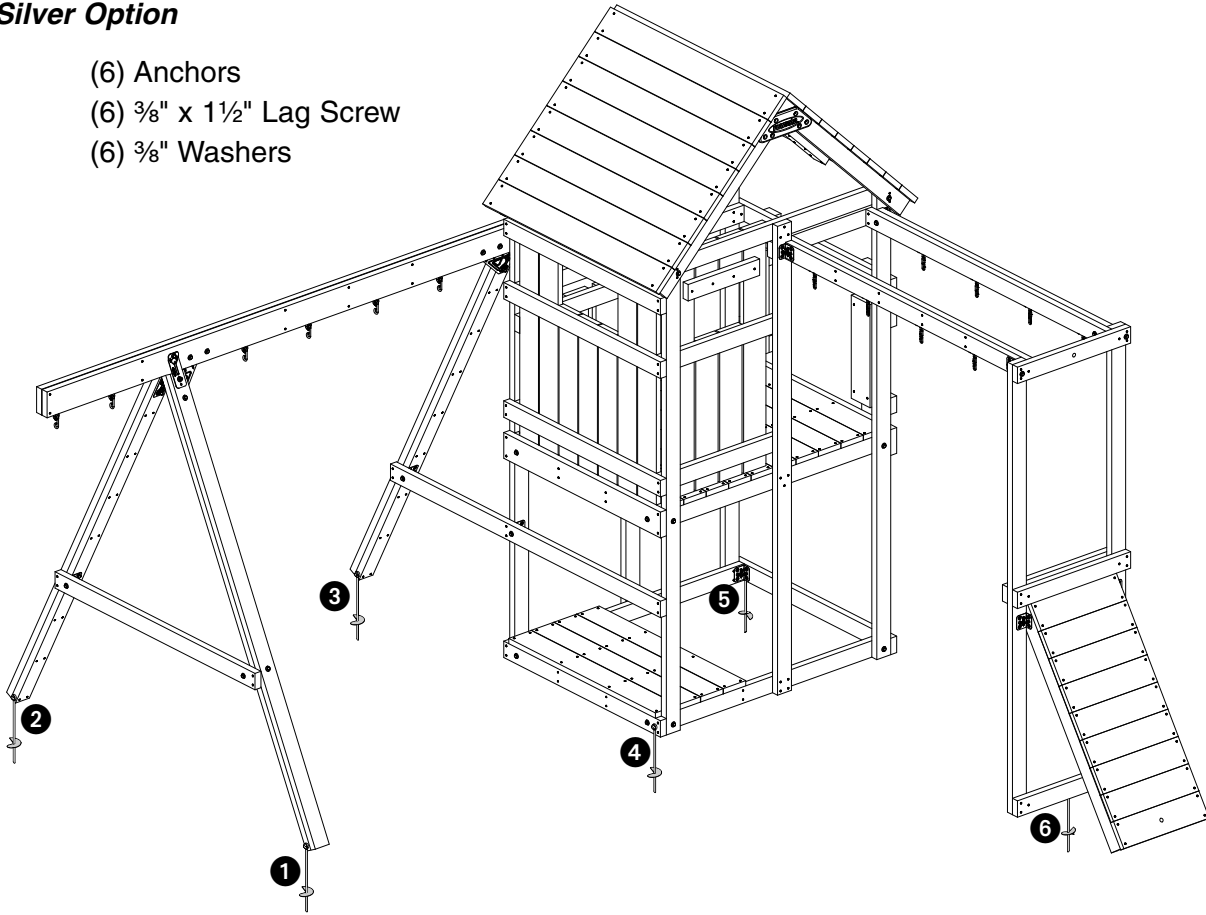
Gold Option

- (6) Anchors
- (6) 3/8" x 1 1/2" Lag Screw
- (6) 3/8" Washers



Silver Option

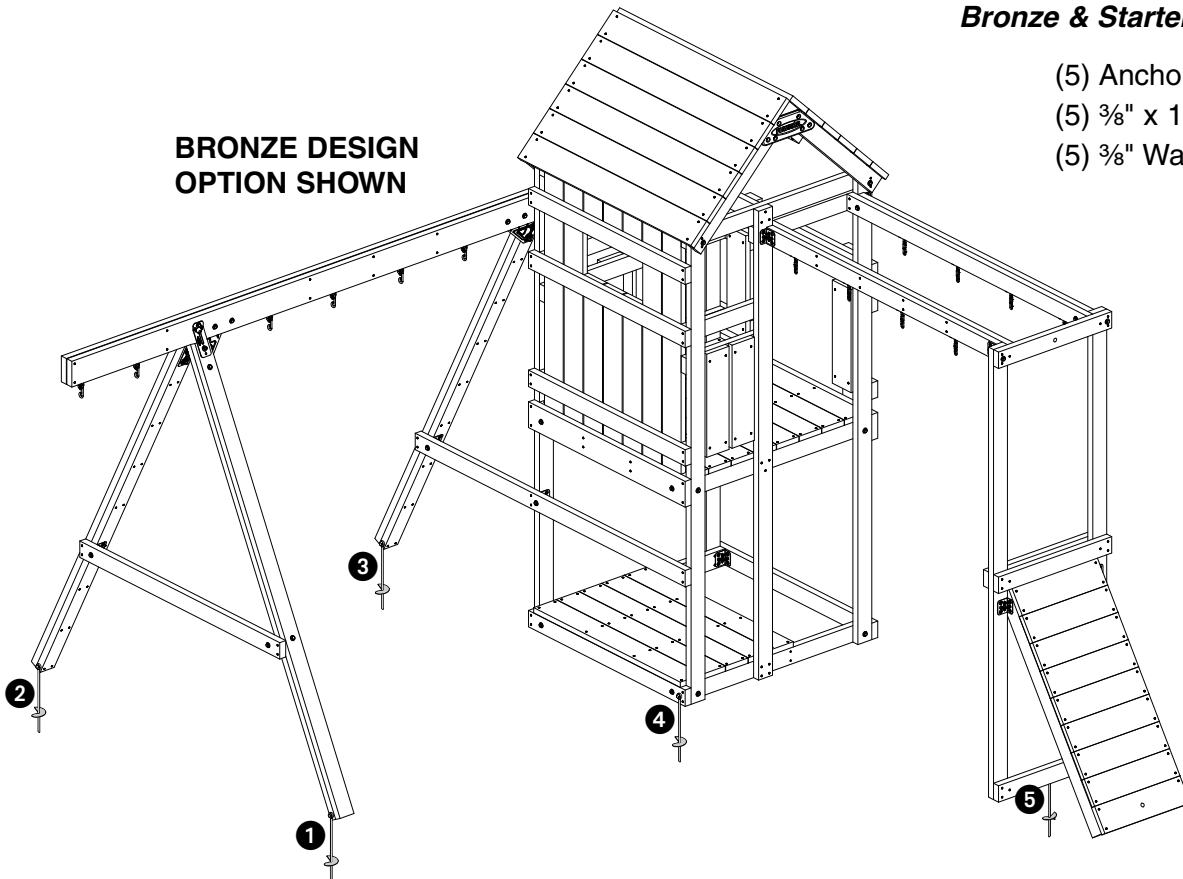
- (6) Anchors
- (6) 3/8" x 1 1/2" Lag Screw
- (6) 3/8" Washers



Bronze & Starter Option

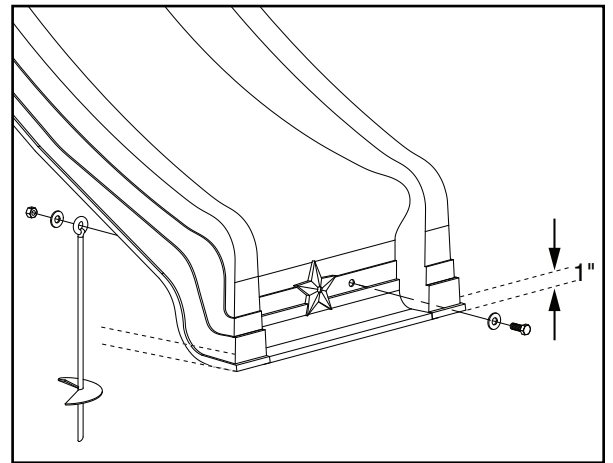
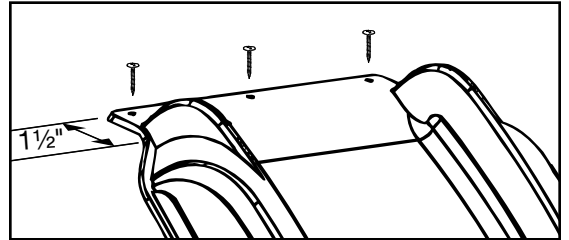
- (5) Anchors
- (5) 3/8" x 1 1/2" Lag Screw
- (5) 3/8" Washers

**BRONZE DESIGN
OPTION SHOWN**



SLIDE – Mounting Instructions

1. Align slide at right angle (90°) to 48" play deck. Lip of slide should rest on the play deck 1½". Using the slide as a template, mark play deck through the three holes in the slide. Drill three ⅛" holes at marked location.
2. Attach slide temporarily to play deck with three #14 x 1¼" screws provided.
3. Prepare level area where slide touches ground that is 1" below surrounding grade.
4. Locate and mark the ground on the back side, on either side of the star. Remove slide and screw Playset Anchor into the ground (a long screwdriver will help). Screw the anchor deep enough so that the loop at the top of the anchor will be flat against the back surface of slide when the slide is in the final position.
5. Reinstall slide permanently, attaching it to play deck using #14 x 1¼" pan head screws provided.
6. Use the Playset Anchor as a drill guide and drill a ⅜" hole completely through the slide. Attach slide to anchor with one ⅜" x 1¼" hex bolt, two ⅜" washers and one ⅜" lock nut provided in the anchor kit.
7. Fill in around bottom of slide to make surface level to surrounding grade.



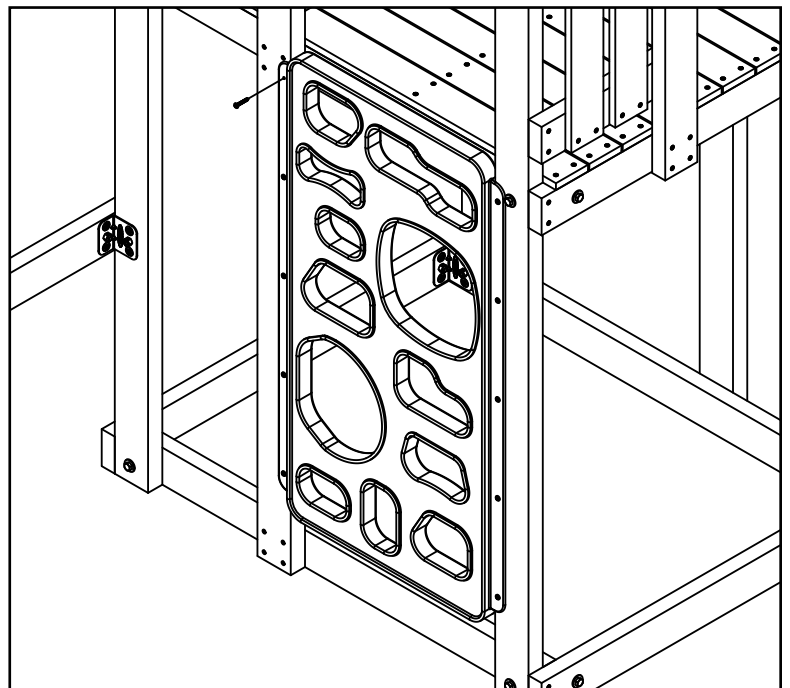
Caution: Failure to anchor the Slide properly could cause serious injury from children lifting the slide.

Caution: Do not install this slide over concrete, asphalt, packed earth, or any other hard surface. A fall onto a hard surface can result in serious injury to the equipment user.

VERTICAL CLIMBER – Assembly Instructions

1. Position Vertical Climber so that the top is flush with the top of the deck and mark pilot holes.
2. Drill ⅛" holes 1" deep into the board.
3. Attach with five #14 x 1¼" pan head screws (provided) on each side.

Caution: Gap between Vertical Climber and playset must not exceed 3½" or a head entrapment could exist.



CLIMBING STEPS – Assembly Instructions

1. Place the left (L) step side rail on a flat work surface. Insert one 2" x 6" x 21" top step into the top hole.

Note: *This hole does not go completely through the side rail.*

2. Insert three 2" x 6" x 23½" standard steps into the remaining holes until they are flush with the outside of the side rail. **(Fig. 1)**

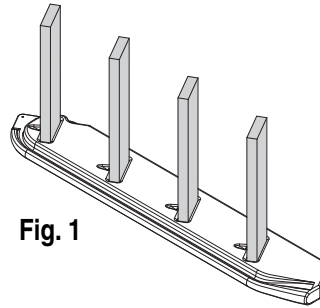


Fig. 1

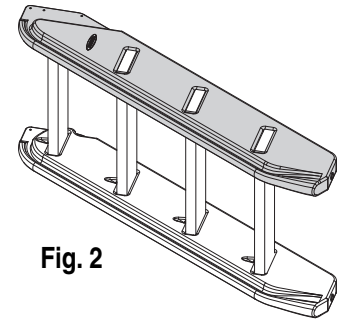


Fig. 2

3. Insert the right (R) step side rail on top of the existing boards until the standard boards are flush with the outside of the side rail. **(Fig. 2)**

4. Position the Climbing Steps Assembly into the 21½" opening of your play deck so that the top surface of the top step is 12" from the top surface of your play deck (48" from the ground). Secure the Climbing Step Assembly to the play deck using three #14 x 1¼" pan head screws on each side as shown. **(Fig. 3)**

Note: *The steps must be positioned as specified. The gaps must not exceed 3½" otherwise a head entrapment could exist.*

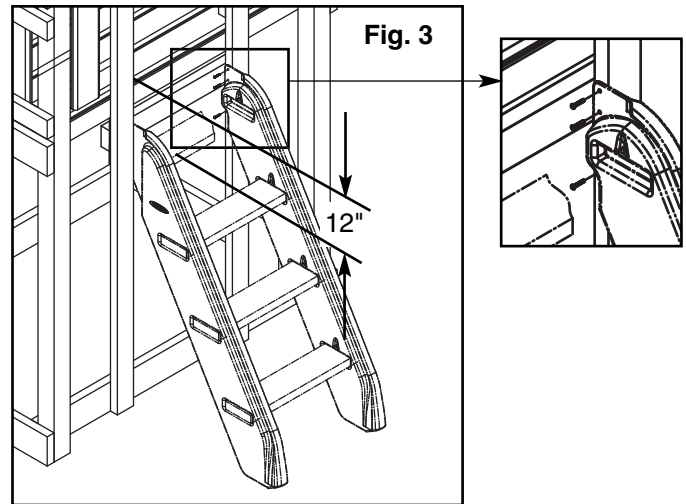


Fig. 3

5. Making sure that all of the standard steps are flush with the outside sides of the Climbing Steps Assembly, secure each step to the side rails using two #14 x 1¼" pan head screws for each step as shown. **(Fig. 4)**

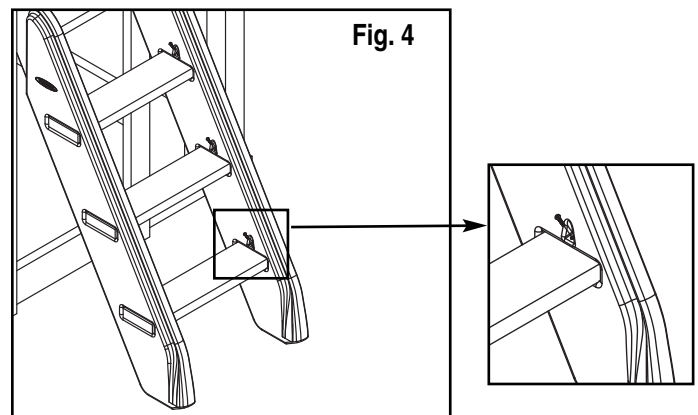
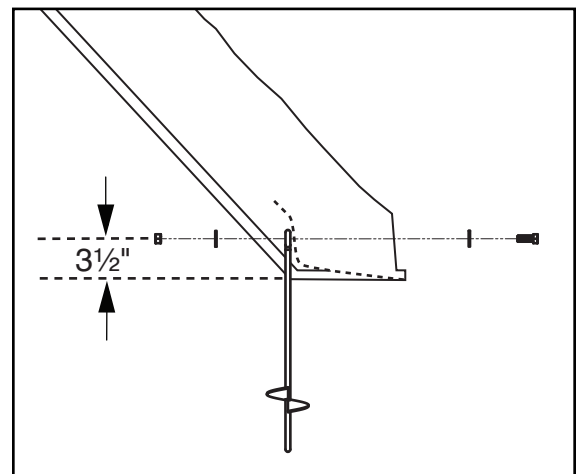
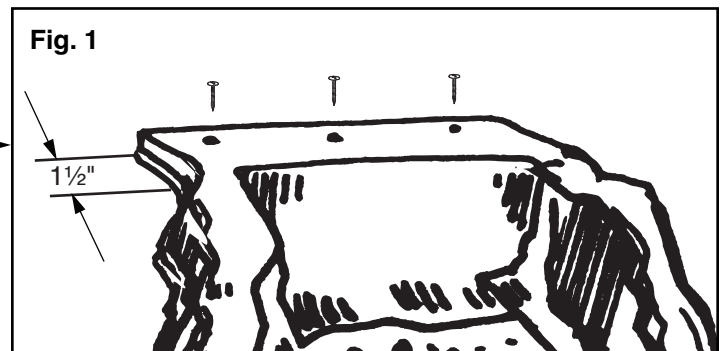
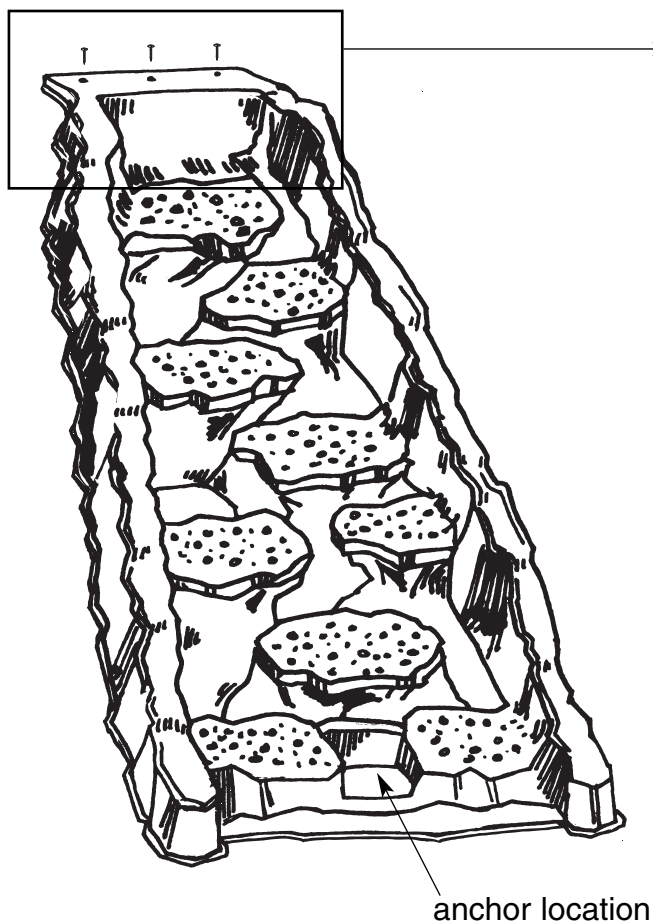


Fig. 4

CLIMBING WALL – Mounting Instructions

1. Align top of Climbing Wall at right angle 90°. Lip of climbing wall should rest on the play deck 1½". Using the Climbing Wall as a template, mark play deck through the three holes in the climbing wall. Drill three ⅝" holes at marked locations. (Fig. 1)
2. Attach Climbing Wall temporarily to play deck with three #14 x 1¼" pan head screws provided.
3. Prepare level area where Climbing Wall touches ground.
4. Locate and mark the ground on the back side and in center of Climbing Wall. Remove Climbing Wall and screw Playset Anchor into the ground (a long screwdriver will help). Screw the anchor deep enough so that the center of the loop at the top of the anchor will be approximately 3½" off ground when wall is in the final position.
5. Reinstall Climbing Wall permanently, attaching it to play deck using #14 x 1¼" pan head screws provided.
6. Use the anchor as a drill guide and drill a ⅝" hole completely through the Climbing Wall. Attach Climbing Wall to anchor with one ⅝" x 1¼" hex bolt, two ⅝" washers and one ⅝" lock nut provided in the anchor kit. (Fig. 2)

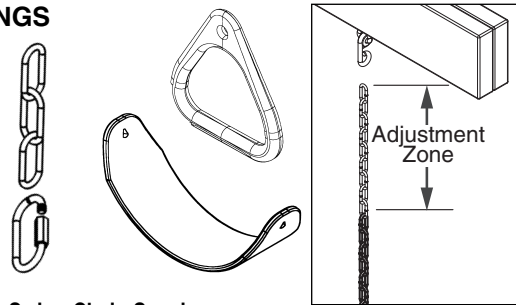
Warning: Failure to anchor the Climbing Wall properly could cause serious injury from children lifting the Unit.



COMPONENTS - Mounting Instructions

SWING SEAT • GYM RINGS

1. Attach coated ends of chains onto play component using Quick-Link Connectors provided. Tighten securely with an adjustable wrench.
2. Hook uncoated ends of chain onto Swing Hangers provided.
3. Customize the height of your **swing** or **gym rings** anywhere in the *Adjustment Zone*, to fit your child.



Swing Chain Spacing:

10" minimum spacing is required from the closest point of all other rides or stationary objects.

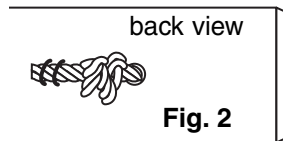
Gym Ring Chain Spacing:

11½" minimum spacing is required from the closest point of all other rides or stationary objects.

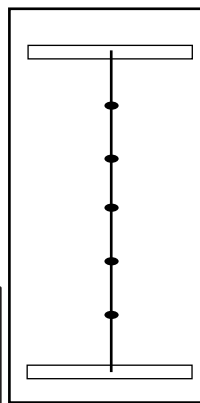
Warning: Failure to tighten Quick Links securely could result in injury.

CLIMBING ROPE

1. Tie five knots, equally spaced, for climbing grips. (Fig. 1)
2. Insert rope through top hole and tie a knot with 4" remaining.
3. Insert opposite end through bottom hole, pull tight and tie a knot while keeping rope snug.
4. Secure both ends with staples provided (2 each end). (Fig. 2)

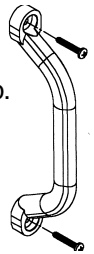


front view



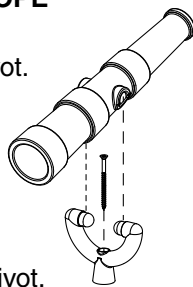
PLAY HANDLES

1. Position Play Handle at desired location.
2. Mark pilot holes.
3. Drill ⅛" holes 1" deep.
4. Secure with #14 x 1¼" pan head screws provided.



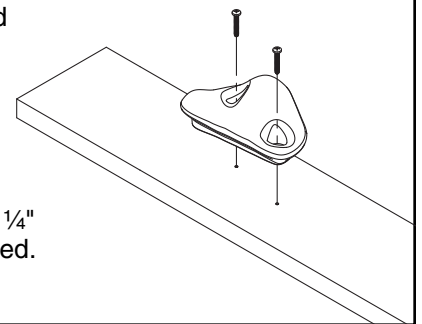
DISCOVERY TELESCOPE

1. Determine desired location for pivot.
2. Drill a ⅛" diameter hole 1" deep.
3. Fasten pivot with #8 x 2½" deck screw provided.
4. Snap Discovery Telescope onto pivot.



CLIMBING ROCKS

1. Position rocks at desired location.
2. Mark pilot holes.
3. Drill ⅛" diameter holes 1" deep.
4. Secure with two #14 x 1¼" pan head screws provided.



USE THE INSTALLATION INSTRUCTIONS AND MOUNTING HARDWARE WHICH ARE SUPPLIED WITH THE FOLLOWING COMPONENTS

AIR RIDER (PS 7958)



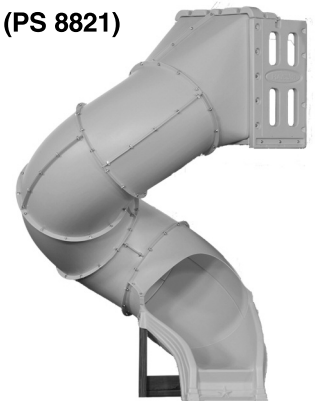
DECORATIVE KIT (PS 7980)



WATER SLIDE KIT (PS 8840)



SPIRAL TUBE SLIDE (PS 8821)





Thank You for choosing PlayStar. Because it is our intention to make this a positive family experience, we have taken great care in preparing this product. Should you have any questions, or if we can assist you in any way, please call our friendly Customer Service Department for immediate action.

Do not return to the store.

Please call us Toll Free at 1-888-PLAYSTAR
(752-9782)

Monday through Friday, 8:00 A.M. to 5:00 P.M. C.S.T.

Ask for Customer Service.

We Will Gladly Help!



PlayStar, Incorporated, Janesville, WI 53547

© 2014 PlayStar, Inc. Reproduction of this document in part or whole is prohibited without the permission of PlayStar, Inc.

Protected by one or more of the following United States or Foreign Patents: US D418,189; US D409,708; US D424,154; US D428,637; US 6,402,663; US D422,332; US D410,059; US 6,068,557; US 6,302,801; US 6,482,095; US 6,039,654; US D410,060; US D424,649; US 6,361,445; CA 2,304,345; US 6,540,645; US 6,709,365; US 6,942,600; US D513,779; US 6,991,550; CA D109,228; CA D109,224; CA D109,225; CA 2,304,113; US 6,629,907; US D517,636; US D518,530; US D520,590; US 520,591; US D534,613; US 7,186,183; US 7,189,034; US 7,253,951; US D548,760; US 7,304,810; CA D109,227; CA D109,226; CA D112,355; CA D113,437; CA D113,442; CA D114,067; CA D114,068; CA 2,304,896; CA D119,674; US D573,222; US 7,419,437; CA 2,304,068; CA 2,488,576; US D580,507; US D585,570; CA 2,490,923; CA 2,304,341; US 7,594,875; CA 2,304,043; CA 2,529,276; CA 2,633,628; CA 2,633,056; CA 2,498,701; CA 2,495,136; CA 2,488,600; CA 2,488,574